

66WC CUT SHEET

PARTS LIST

ITEM	QTY	PART NUMBER	DESCRIPTION	NOTES
1	43.500 in	1/2SSP	1/2" S.S. PIPE	B,C
2	5.500 in	1ALB1	SHELF ALUMINUM SPACER (THIN)	
3	5.500 in	1ALB2	SHELF ALUMINUM SPACER (THICK)	
4	4	345-N	S.S. NUT FOR U-BOLT	
5	2.000 in	4 ALUM ANGLE	MOUNTING BRACKET	
6	1	418-B	BEVELED BIBB WASHER	
7	1	66S01	PETCOCK BODY	P
8	1	66S02	PETCOCK NUT	P
9	1	66S03	PETCOCK PLUNGER	P
10	1	66S04	HANDLE PIN	P
11	1	66S05	PETCOCK NOZZLE	P
12	1	66S06	NOZZLE (3/8")	C
13	1	66S07	O-RING (PACKING NUT)	
14	1	66S08	O-RING (PETCOCK PACKING NUT)	P
15	1	66S09	O-RING (STEM)	
16	1	66S10	O-RING (PETCOCK STEM)	P
17	1	66S11	HEADSTOCK (WARM CLIMATE)	
18	1	66S13	STEM (WARM CLIMATE)	
19	1	66S14	HANDLE/KNOB PIN	C
20	1	66S15	PACKING NUT	
21	1	66S16	HEADSTOCK TOP NUT	
22	4	66S17	FOAM STRIP	
23	9	66S18	SHORT AL RIVET	
24	4	66S19	LONG BRACKET RIVET	
25	2	66S20	S.S. U-BOLT FOR 1/2" PIPE	
26	2	66S21	HINGE 6in PREDRILLED	
27	1	66S22	PETCOCK CAP	C/P
28	1	66S23	ENCLOSURE LID	R
29	1	66S24	ENCLOSURE DOOR	R
30	1	66S28	PLUNGER SCREW	
31	1	66S37	PADLOCK HASP	
32	1	66S38	PADLOCK EYE	
33	1	66S42	HANDLE	C
34	3	66S63	ENCLOSURE SHELF RIVET	
35	7	66S90	RIVET FOR HASP AND STRIKE PLATE	
36	48.000 in	6ALSQ	6" ALUMINUM ENCLOSURE	R
37	1	94-K	PLASTIC NOZZLE CAP	C
38	4	9458	S.S. LOCK WASHER FOR U-BOLT	

OPTIONAL PARTS LIST

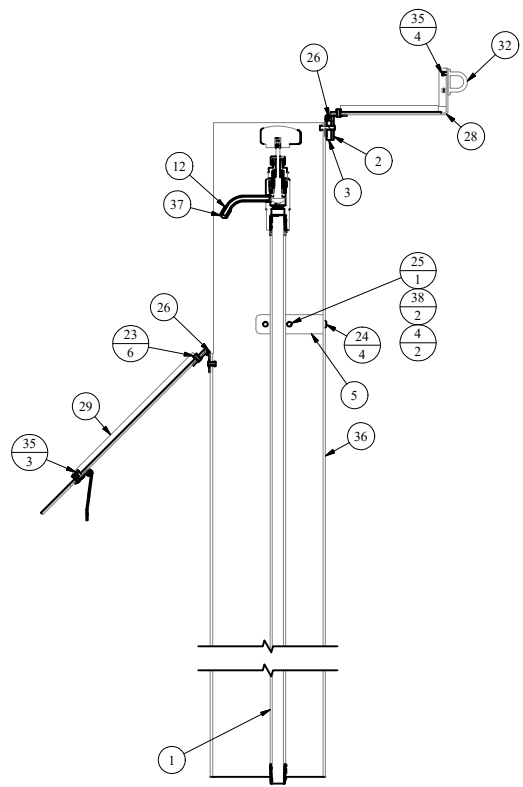
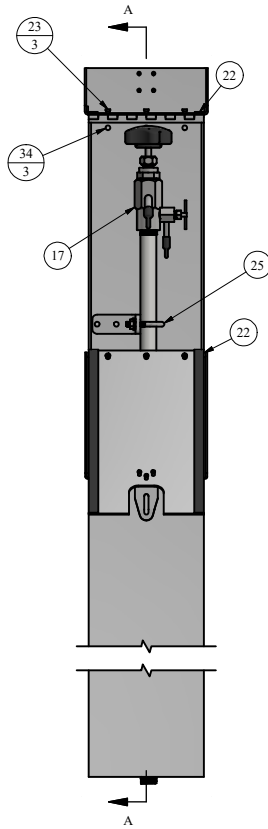
39	0	1 1/2AA	FLANGE FEET (3 RIVETS PER FOOT)	A,R
22	4	66S17	FOAM STRIP	
40	1	66S12	1/2" NOZZLE (OLD STYLE)	C,Q
41	1	66S35	NOZZLE CAP (1/2" OLD STYLE)	C

REPAIR KITS

PART NUMBER	DESCRIPTION	PARTS INCLUDED
X66-DOOR	#66 ENCLOSURE DOOR COMPLETE	66S24 DOOR (1), 66S37 HASP (1), 66S90 HASP RIVET (3), 66S21 HINGE (.5), 66S18 HINGE RIVET (6)
X66-HEADSTOCK	HEADSTOCK ASSEMBLY COMPLETE	66S11 HEADSTOCK (1), 66S06 NOZZLE (1), 94-K CAP (1)
X66-HOUSING	#66 ENCLOSURE COMPLETE (NOTE 5)	66S23 LID (1), 66S37 HASP (1), 66S24 DOOR (1), 66S38 PADLOCK EYE (1), 66S21 HINGE (0.94 FEET), 66S18 SHORT RIVET (9), 4 ALUM ANGLE (0.2 FEET), 66S19 LONG RIVET (4), 66S17 TRIM (3 FEET), 6ALSQ ENCLOSURE (4 FEET), 1ALB1 SPACER (THIN) (0.42 FEET), 1ALB2 SPACER (THICK) (0.42 FEET), 66S63 SHELF RIVET (3), 66S90 HASP RIVET (7)
X66-LID	#66 ENCLOSURE LID COMPLETE	66S23 LID (1), 66S38 PADLOCK EYE (1), 66S21 HINGE (.5), 66S18 HINGE RIVET (3), 66S90 HASP RIVET (4), 66S63 SHELF RIVET (3)
X66-PETCOCK	STAINLESS STEEL PETCOCK ASSEMBLY	66S01 BODY (1), 66S02 NUT (1), 66S03 PLUNGER (1), 66S04 PIN (1), 66S05 NOZZLE (1), 66S22 CAP (1), 66S08 PACKING NUT O-RING (1), 66S10 PLUNGER O-RING (1)
X66-TOP SCREW	TOP SCREW ASSEMBLY COMPLETE	66S42 KNOB (1), 66S14 ROD PIN (1), 66S13 STEM (1), 66S15 PACKING NUT (1), 66S07 PACKING NUT O-RING (1), 66S16 TOP NUT (1), 66S09 STEM O-RING (1), 418-B SEAT RUBBER (1), 66S28 PLUNGER SCREW (1)
X66WCRK	#88WC-SS, #66WC, & #66MB Repair Kit	418-B BIBB WASHER (1), 66S28 SCREW (1)

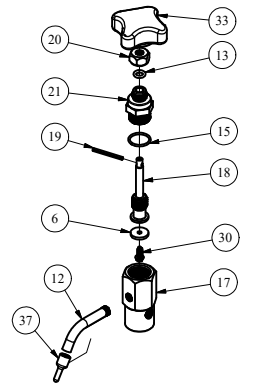
OPTIONAL REPAIR KITS

X66-HOUSING-BF	ENCLOSURE w/ BOLTED FLANGE COMPLETE (NOTE 5)	66S23 LID (1), 66S37 HASP (1), 66S24 DOOR (1), 66S38 PADLOCK EYE (1), 66S21 HINGE (0.94 FEET), 66S18 SHORT RIVET (9), 4 ALUM ANGLE (0.2 FEET), 66S19 LONG RIVET (16), 66S17 TRIM (3 FEET), 6ALSQ ENCLOSURE (4 FEET), 1 1/2AA BOLTED FEET (2 FEET), 1ALB1 SPACER (THIN) (0.42 FEET) 1ALB2 SPACER (THICK) (0.42 FEET), 66S63 SHELF RIVET (3), 66S90 HASP RIVET (7)
----------------	--	--

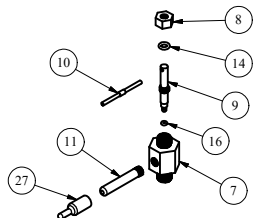


SECTION A-A
CENTER SECTION VIEW

HEADSTOCK ASSEMBLY



PETCOCK ASSEMBLY



DRAWN	SMS	10/11/2017
CHECKED	DCL	11/27/2017
MODIFIED	ADC	5/10/2023

SIZE	C
SCALE	1/5

DWG NO	#66WC
SHEET	1 OF 1
REV	1.1



LEGEND

(X)	STANDARD TAG
(X/Y)	TAG WITH Y QUANTITY

NOTE	DESCRIPTION
A	NOT SHOWN
B	PIPE LENGTH DEPENDENT ON DEPTH OF BURY
C	SOLD AS REPLACEMENT PART
P	SEE PETCOCK ASSEMBLY FOR PARTS INFORMATION
Q	REPLACEMENT NOZZLE REQUIRES BENDING IN THE FIELD AFTER INSTALLATION
R	POWDER COATING OPTIONS AVAILABLE

DISCLAIMER
THIS DRAWING IS THE PROPERTY OF THE KUPFERLE
FOUNDARY COMPANY. IT IS NOT TO BE USED OR
DUPLICATED WITHOUT THE PERMISSION OF THE OWNER