

NEW



MainGuard #66 Sampling Station

- Designed for freezing climates
- All surgical stainless steel water way and parts
- All Aluminum lockable secure enclosure
- Covering lid and side shields for protection when taking samples
- Blow-Off 7/16" compression-type valve
- Hydraulic cylinder style 1/4" petcock and evacuation tube to prevent valve/pipe freezing
- Vinyl outlet caps to keep out contaminants
- No drain valve to prevent cross-contamination
- All maintenance parts readily available
- Easy to install (see spec sheet on back)
- Options:
 - Evacuation Hand Pump
 - Bolted ground line flange
 - Powder-Coated paint



Protective Outlet Caps



Evacuation Drain /
Threadless Nozzle



Quality Samples



Evacuation Pump
(sold separately)



Powder-Coated Option



Bolted Flange Option



2511 North 9th Street
St. Louis, MO 63102

800-231-3990

www.hydrants.com

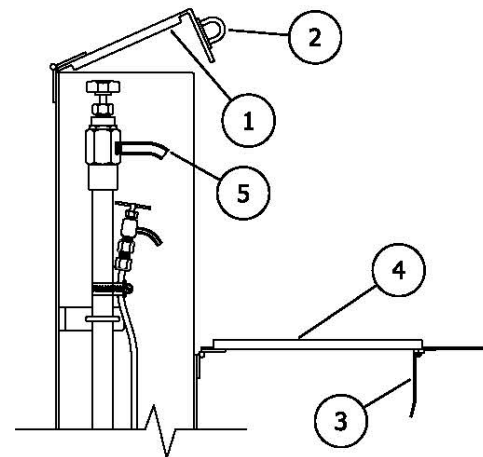
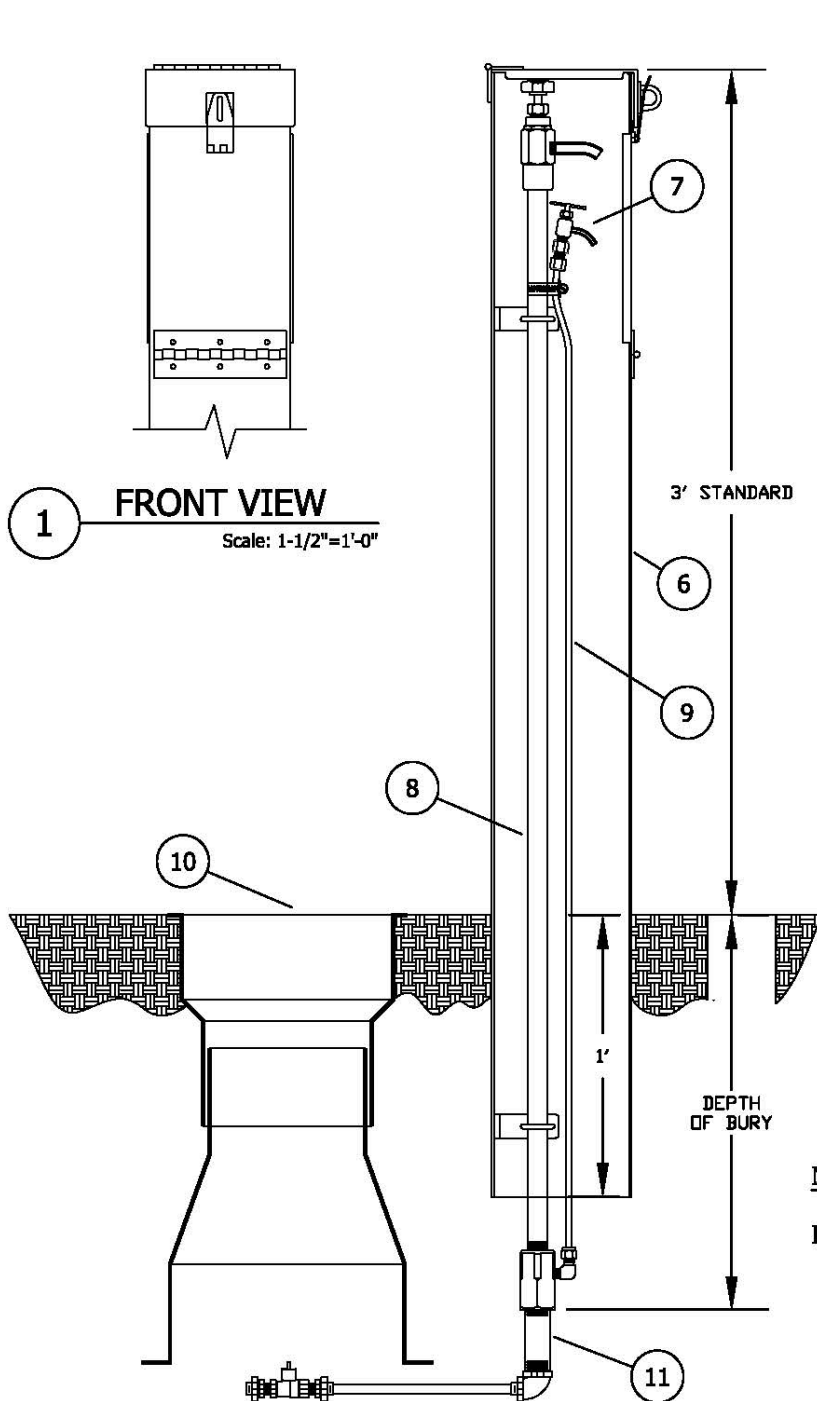
info@hydrants.com

MAINGUARD™



Distributed by:

#66 SAMPLING STATION SPEC SHEET



SAMPLING STATION SHALL BE ____' BURY, WITH A 3/4" FIP INLET, AND 7/16" UNTHREADED BLOW OFF AND SAMPLING BIBB.

STATION SHALL BE ENCLOSED IN A LOCKABLE, NON-REMOVABLE 6" SQUARE ALUMINUM BOX WITH HINGED OPENINGS.

WHEN OPEN, THE STATION SHALL REQUIRE NO KEY FOR OPERATION, AND ALL WATER FLOW SHALL PASS THRU AN ALL STAINLESS STEEL WATERWAY.

ALL WORKING PARTS SHALL BE OF STAINLESS STEEL AND SERVICABLE FROM ABOVE GROUND WITH NO DIGGING OR REPLACEMENT NEEDED.

A STAINLESS STEEL PET COCK WILL BE LOCATED BELOW THE SAMPLING BIBB TO ALLOW PUMPING OF ANY WATER REMAINING INSIDE THE STATION TO INSURE NON-FREEZING.

THE STATION SHALL BE MODEL #66 AS MANUFACTURED BY THE KUPFERLE FOUNDRY, ST. LOUIS MO. 63102 OR APPROVED EQUAL.

NOTES:

IN SOME CONDITIONS CORROSION OF STAINLESS STEEL CAN OCCUR (EXPOSURE TO SALT WATER, DIRECT EXPOSURE TO STRONG CHLORIDES, ETC.). PROPER MAINTENANCE OF THE EXPOSED STAINLESS STEEL PARTS USING PROPER STAINLESS STEEL CLEANING AGENTS WILL INCREASE THE LIFESPAN OF THE HYDRANT. IF DESIRED, KUPFERLE CAN ALSO OFFER AN ADDITIONAL PASSIVATION PROCESS FOR ADDITIONAL CORROSION PROTECTION.

#66 SAMPLING STATION TO BE INSTALLED AT THE FOLLOWING LOCATIONS:

| ITEM | ITEM / DESCRIPTION | NOTES |
|------|--------------------------|-----------|
| 1 | TOP ACCESS DOOR | |
| 2 | PADLOCK EYE | |
| 3 | PADLOCK HASP | |
| 4 | FRONT ACCESS DOOR | |
| 5 | BLOW OFF & SAMPLING BIBB | |
| 6 | 6" ALUMINUM SQUARE BOX | |
| 7 | PET COCK | |
| 8 | 1/2" S.S. WATERWAY | |
| 9 | 1/4" S.S. TUBING | |
| 10 | VALVE BOX | BY OTHERS |
| 11 | 3/4" S.S. NIPPLE | BY OTHERS |

DRAWN
DCL
APPROVED
DCL
DATE
8/29/13
SCALE
1-1/2"=1'

Since 1857
KUPFERLE FOUNDRY COMPANY
2511 NORTH 9TH STREET, ST. LOUIS, MO 63102
314-231-8738 800-231-3990 FAX 314-231-2820
<http://www.hydrants.com>

| | | | |
|----------|----------------------|----------------------|--------------|
| DD/MM/YY | ISSUED FOR REFERENCE | #66 SAMPLING STATION | SHEET 1 OF 1 |
| DATE | STATUS / REVISION | | |