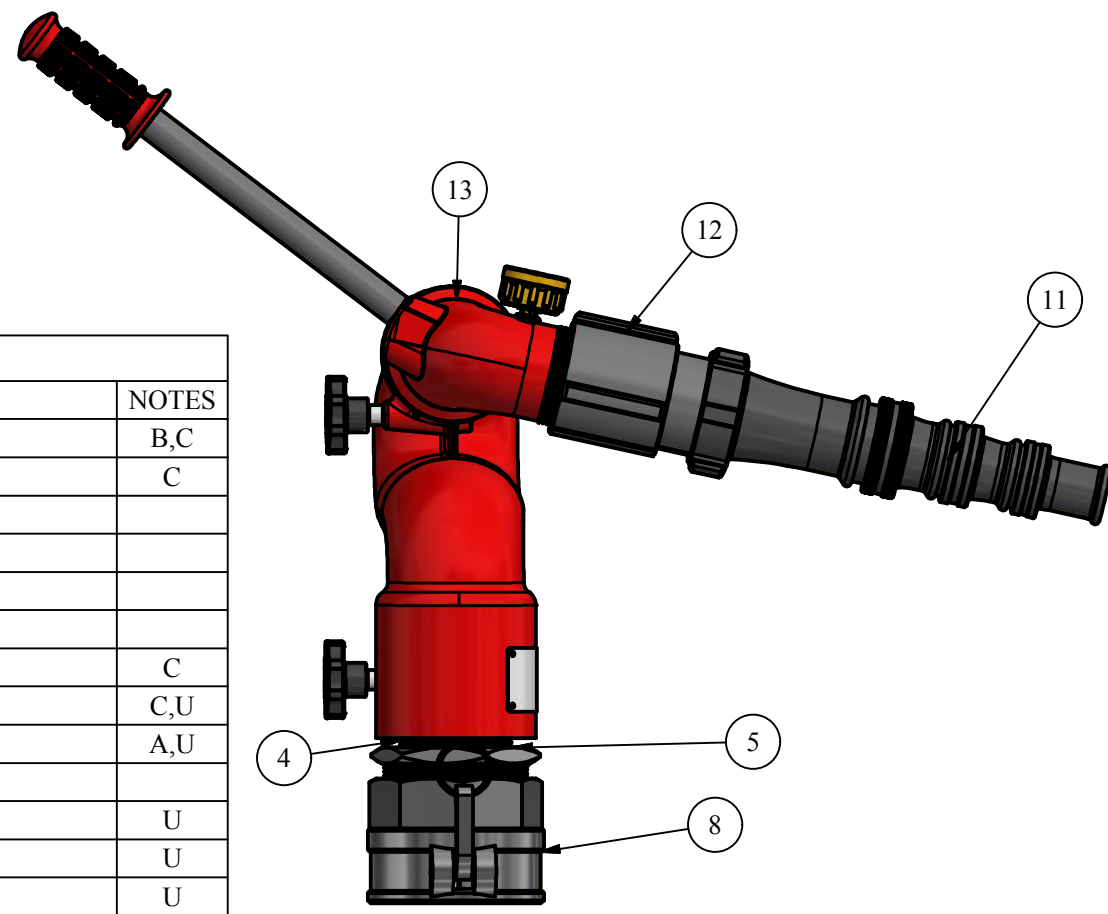


#7500-M CUT SHEET

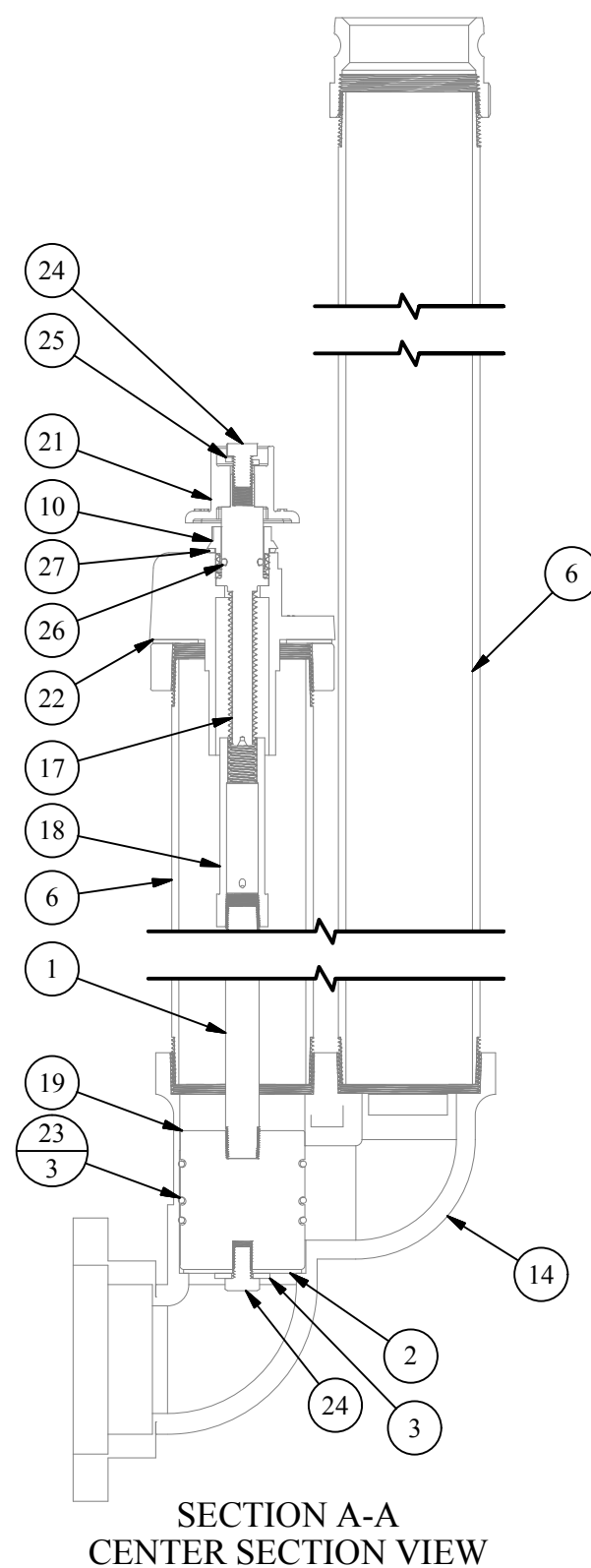
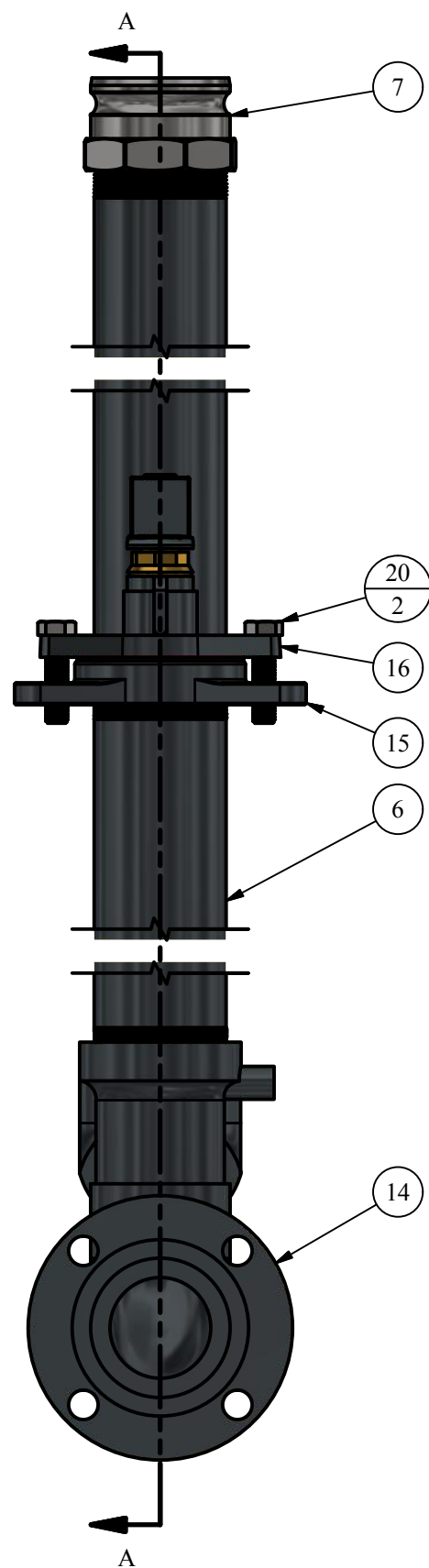
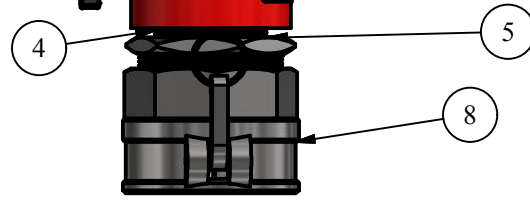


PARTS LIST

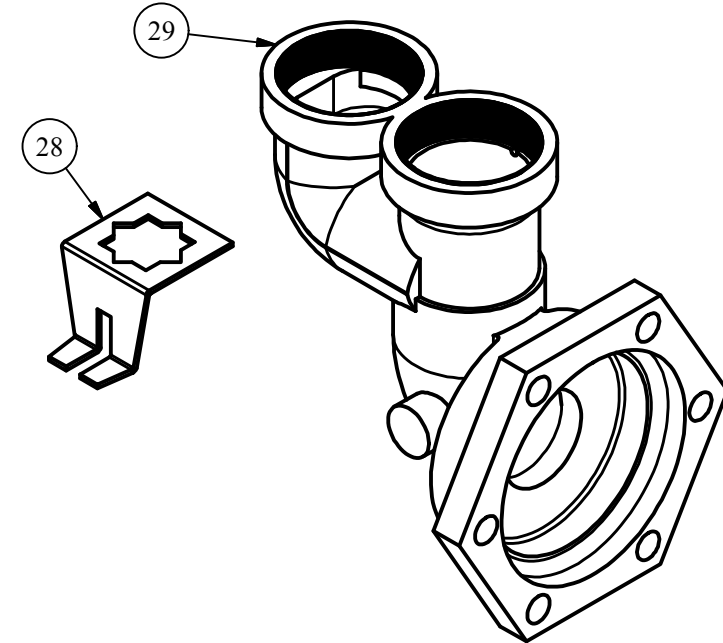
ITEM	QTY	PART NUMBER	DESCRIPTION	NOTES
1	1.71	1 1/16SR	1-1/16" SOLID OPERATING ROD	B,C
2	1	10800	SEAT WASHER	C
3	1	10812	S.S. PLUNGER WASHER	
4	1	3SSCN	3" S.S. CLOSE NIPPLE	
5	1	4 x 3SHB	4" x 3" S.S. HEX BUSHING	
6	9.17	4P	4" BLACK PIPE	
7	1	4QD-ASS	4" S.S. "A" QUICK DISCONNECT	C
8	1	4QD-DSS	4" S.S. "D" QUICK DISCONNECT	C,U
9	1	4QDC-SS	4" S.S. QUICK DISCONNECT CAP	A,U
10	1	621	PACKING NUT (1-1/4" PENT)	
11	1	7500M-NOZZLE	4" MONITOR NOZZLE	U
12	1	7500M-SSHAPER	4" STREAM SHAPER	U
13	1	7500M-VULCAN	4" VULCAN MONITOR	U
14	1	7601	4" MJ IRON INLET	C
15	1	7602	IRON NECK	C
16	1	7603	IRON TOP CAP	
17	1	7604	BRASS TOP SCREW	
18	1	7605	BRASS CONNECTION NUT	C
19	1	7609	PLUNGER FOR 7500/7600	
20	2	7610	BOLT FOR TOP CAP	C
21	1	7612	2" GATE VALVE NUT	C
22	1	7613	TOP CAP GASKET	C
23	3	7614	PLUNGER O-RING FOR 7500/7600	C
24	2	7615	BOLT FOR GATE VALVE NUT	C
25	1	7622	S.S. LOCK WASHER	C
26	1	77M	O-RING FOR SLOTTED SCREW	C
27	1	77MG	PACKING NUT GASKET	C

OPTIONAL PARTS LIST

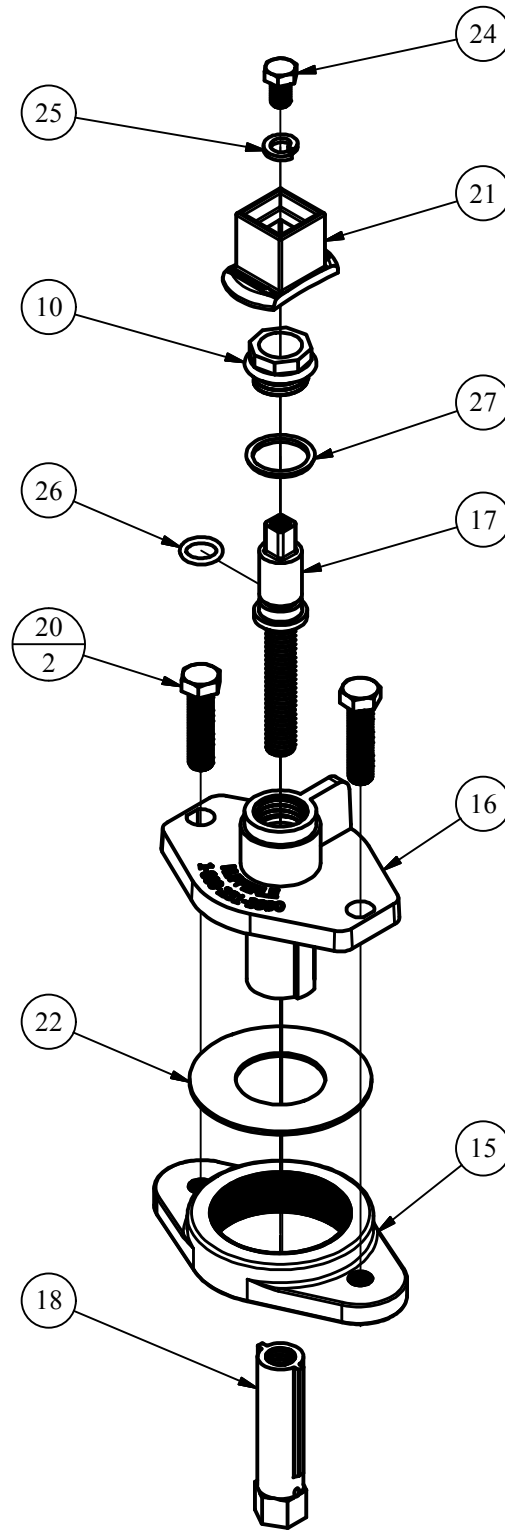
ITEM	QTY	PART NUMBER	DESCRIPTION	NOTES
28	0	7616	LOCKING WRENCH FOR 7500/7600	C
29	0	7617	6" MJ IRON INLET	C



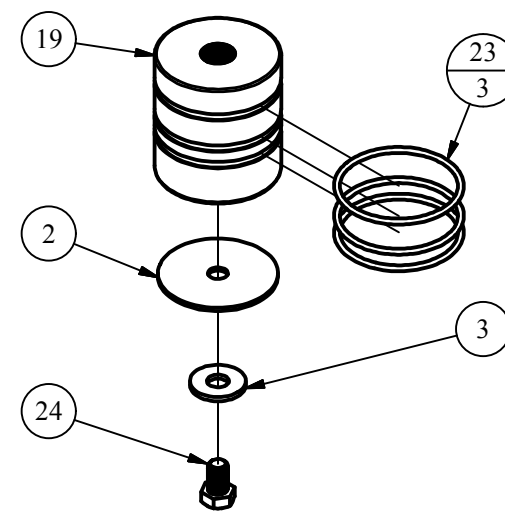
OPTIONAL PARTS



TOP ASSEMBLY



PLUNGER ASSEMBLY



REPAIR KITS

PART NUMBER	DESCRIPTION	PARTS INCLUDED
X621	BRASS PACKING NUT COMPLETE	621 PACKING NUT (1), 77MG GASKET (1)
X7600RK	7500/7600 REPAIR KIT	7614 O-RING (3), 10800 SEAT WASHER (1)
X7603	IRON TOP CAP COMPLETE	7603 TOP CAP (1), 7613 GASKET (1), 7610 BOLT (2)
X7604	COMPLETE TOP SCREW FOR 7500/7600	7604 SCREW (1), 77M O-RING (1)
X7609	COMPLETE PLUNGER FOR 7500/7600	7609 PLUNGER (1), 7614 O-RING (3), 10800 SEAT WASHER (1), 10812 WASHER (1), 7615 BOLT (1)

NOTE	DESCRIPTION
A	NOT SHOWN
B	PIPE LENGTH DEPENDENT ON DEPTH OF BURY
C	SOLD AS REPLACEMENT PART
U	MOUNTABLE MONITOR AND ADDITIONAL QUICK DISCONNECTS SOLD SEPARATELY, CAP ONLY STANDARD

DISCLAIMER
THIS DRAWING IS THE PROPERTY OF THE KUPFERLE FOUNDRY COMPANY. IT IS NOT TO BE USED OR DUPLICATED WITHOUT THE PERMISSION OF THE OWNER.

LEGEND

(X)	STANDARD TAG
(X/Y)	TAG WITH Y QUANTITY

DRAWN	JRG	1/30/2019
CHECKED	DCL	2/22/2019
MODIFIED		

SIZE	C
SCALE	1 / 6

DWG NO	#7500-M Cut_Rev0
--------	------------------



SHEET	1 OF 1
REV	0