

MainGuard #7500M Monitor Hydrant



The MainGuard #7500M four-inch washdown hydrant from Kupferle Foundry is designed for washdown of clarifiers, sludge holding tanks and equalization basins for wastewater plants. It features a stream shaper nozzle with spray ranges up to 190 feet and eliminates the need for cumbersome hoses. The MainGuard #7500M monitor can be permanently mounted or set up with a quick disconnect. Flow rates of 1346 gpm at 75 psi.

Standard Features:

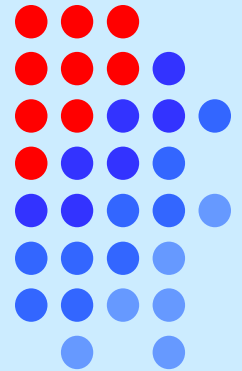
- 3' bury or less
- Repairable from above ground—no digging!
- 4" MJ inlet
- Self-draining, non-freezing

Optional Features:

- Depths of bury over 3', per 6"
- Quick disconnect coupling and adapter
- 6" MJ inlet
- Custom Dimensions

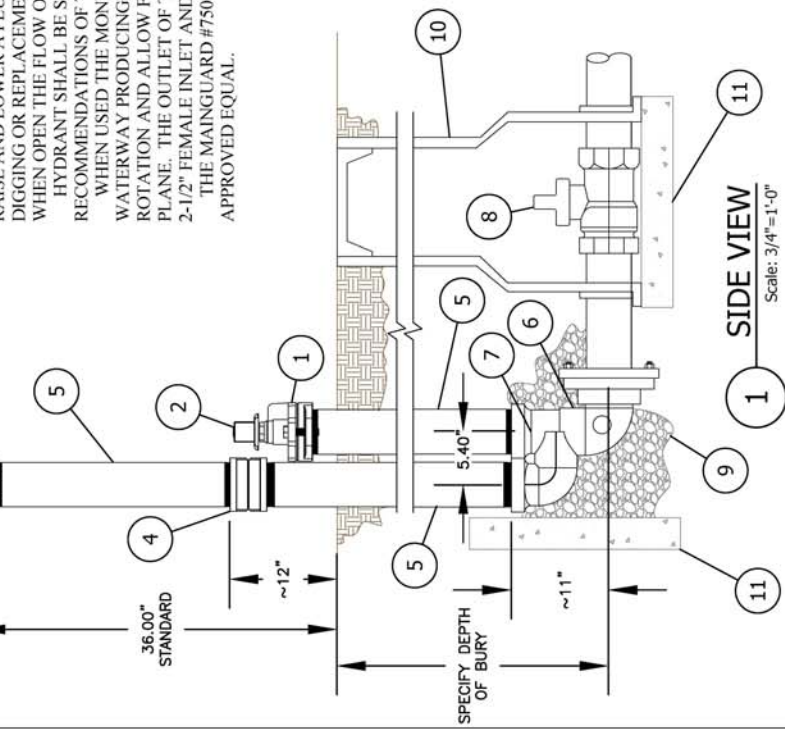
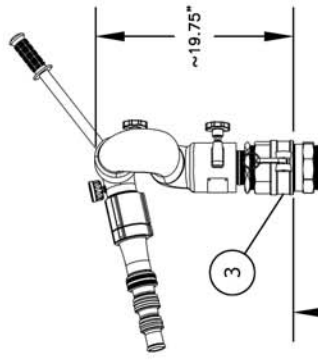
MAINGUARD™

The Kupferle Foundry Company
2511 North 9th Street
St. Louis, MO 63102
800-231-3990
info@hydrants.com
www.hydrants.com



75
00
M

MAINGUARD #7500-M 4" MONITOR HYDRANT SPEC SHEET



MAINGUARD #7500-M MONITOR HYDRANT SHALL BE SELF-DRAINING, NON-FREEZING TYPE WITH A _____' DEPTH OF BURY. HYDRANT SHALL BE FURNISHED WITH A 4" OR 6" MJ INLET CONNECTION, A NON-TURNING OPERATING ROD, AND SHALL OPEN TO THE LEFT. OUTLET SHALL BE 4" CAM AND GROOVE STAINLESS STEEL QUICK DISCONNECT FITTING, UPON WHICH A WASHDOWN MONITOR CAN BE CONNECTED. OUTLET COUPLING WILL EXTEND ABOVE GROUND A MINIMUM OF 12". RISER PIPE LENGTH BASED ON SPECIFIED DISTANCE FROM GROUND AND SHOULD BE SPECIFIED AT TIME OF PURCHASE.

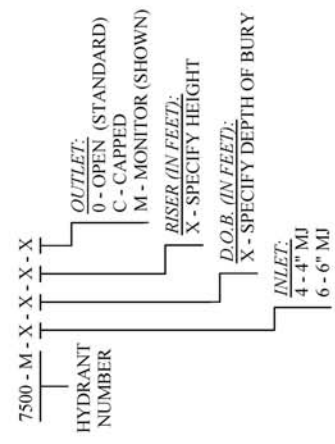
ALL WATER FLOW SHALL PASS THRU A 4" STEEL PIPE AND CAST IRON WATERWAY. THE OPERATING DRIVE MECHANISM SHALL RAISE AND LOWER A PLUNGER TO CONTROL THE FLOW OF WATER AND SHALL BE SERVICEABLE FROM ABOVE GROUND WITH NO DIGGING OR REPLACEMENT NEEDED. SAID OPERATING DRIVE SHALL OPERATE WITH A STANDARD 2" GATE VALVE WRENCH. WHEN OPEN THE FLOW OF WATER SHALL BE UNOBSTRUCTED AND THE DRAIN HOLE SHALL BE COVERED.

HYDRANT SHALL BE SET IN 4 CUBIC FEET OF CRUSHED STONE TO ALLOW FOR PROPER DRAINAGE OF HYDRANT. RECOMMENDATIONS OF THE AWWA SHOULD BE FOLLOWED WHEN INSTALLING THE HYDRANT.

WHEN USED THE MONITOR SHALL BE CONSTRUCTED FROM LIGHT WEIGHT CASE ALUMINUM WITH A FULLY VANED 3.375" WATERWAY PRODUCING A FRICTION LOSS FACTOR OF 6 PSI AT 1250 GPM. MONITOR SHALL BE CAPABLE OF 360° HORIZONTAL ROTATION AND ALLOW FOR VERTICAL POSITIONING WITH STOP LOCATIONS AT 90° ABOVE AND 45° BELOW THE HORIZONTAL PLANE. THE OUTLET OF THE MONITOR SHALL INCLUDE A 2-1/2" MINI STREAM SHAPER AND AN ALUMINUM NOZZLE TIP WITH A 2-1/2" FEMALE INLET AND A 1-3/8" OUTLET.

THE MAINGUARD #7500-M MONITOR HYDRANT AS MANUFACTURED BY THE KUPFERLE FOUNDRY, ST. LOUIS MO. 63102 OR APPROVED EQUAL.

HYDRANT ASSEMBLY NUMBER GUIDE:



ITEM	ITEM / DESCRIPTION	NOTES
1	TOP CAP	
2	2" SQUARE OPERATING NUT	
3	4" FIP OUTLET	WITH MONITOR
4	4" COUPLING	
5	4" STEEL PIPE	
6	INLET VALVE BODY	
7	DRAIN HOLE	
8	HYDRANT SHUT-OFF VALVE	BY OTHERS
9	CRUSHED ROCK	BY OTHERS
10	VALVE BOX	BY OTHERS
11	SOLID CONCRETE BLOCK	BY OTHERS

DATE	06/02/17
DRAWN	SMS
APPROVED	DCL
MODIFIED	

#7500-M SPEC SHEET
SCALE 3/4"=1'

2511 NORTH 9TH STREET
ST. LOUIS, MO 63102
1-800-231-3990
FAX 314-231-2820
www.hydrants.com

DATE	ISSUED FOR ...	STATUS / REVISION