

# MAIN GUARD™

## #77 Post Hydrant

*2" flush hydrant for dead end waterlines*

### LOCKING COVER

Comes standard



### IRON NOZZLE CAP

Included

### STANDARD 90° OUTLET

Vertical also available

### FULL FLOW PIPE

100% hollow flow pipe  
easily passes larger  
debris

### FULL FLOW VALVE

New extra-wide water-  
way allows for better  
flow rates

### STANDARD CORP STOP

No Special Operating Tools  
Needed

### DUAL O-RING PLUNGER

Allows for throttling of valve  
with minimal water loss  
through drain



**KUPFERLE**

WATER SOLUTIONS

Quality • Conservation • Innovation

Since 1857

Kupferle Water Solutions

St. Louis, MO

800-231-8738

hydrants.com



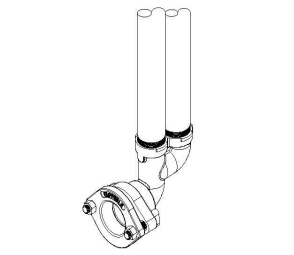
# MAINGUARD™

## #77 MAINGUARD BLOW-OFF HYDRANT SPEC SHEET

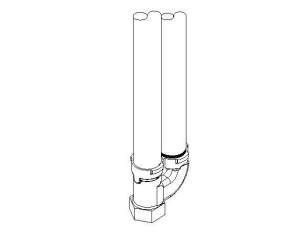
GENERAL HYDRANT SPECIFICATIONS	
MAXIMUM OPERATING PRESSURE:	250 PSI
INLET MATERIALS:	BRASS, CORROZ BRASS, TYPE 1 PVC, 20 S.S.
TOP END MATERIAL:	CAST IRON
HYDRANT COLOR:	RED STANDARD
WELDED MATERIALS:	BRASS, Type 1 PVC, 10 S.S. & CORROZ BRASS
DEPTH OF BURY:	2' STANDARD
WEIGHT:	54 LBS.

MAINGUARD Product Ordering Guide											
MODEL #	17	30	4	1	1	1	1	1	1	1	1
SUBSECTION	1	2	3	4	5	6	7	8	9	10	11
SUBSECTION DESCRIPTION	MODEL #	SUBSECTION	OPTIONS	DESCRIPTIONS							
MODEL	17			BLOW OFF HYDRANT							
DEPTH OF BURY	2	0.0		X.X = FEET DEPTH OF BURY. ENTER # IN FEET AND INCLUDE INCHES ROUND TO NEAREST .05 FEET							
INLET OPTIONS	3	A		2" FIP HORIZONTAL							
		B		2" FIP VERTICAL							
		C		2" NO IRON INLET							
OUTLET OPTIONS	4	A		2" FIP HORIZONTAL W/ 1" FIP BRASS ADAPTER							
		B		2" 1/2" NPT BRASS NOZZLE							
		C		1 1/2" NPT BRASS NOZZLE							
		D		1" NPT BRASS NOZZLE							
		E		3" WIP BRASS NOZZLE							
		F		2" WIP BRASS NOZZLE							
BARREL MATERIAL	5	A		CALL FOR QUOTE							
		B		EXTERNAL COATED STEEL PIPE							
		C		316 STAINLESS STEEL							
		D		BRASS							
		E		GALVANIZED STEEL							
OPERATING ROD MATERIAL	6	A		GALVANIZED STEEL							
		B		316 STAINLESS STEEL							
		C		BRASS							
PLUNGER MATERIAL	7	A		TYL 1 PVC PLASTIC							
		B		316 STAINLESS STEEL							

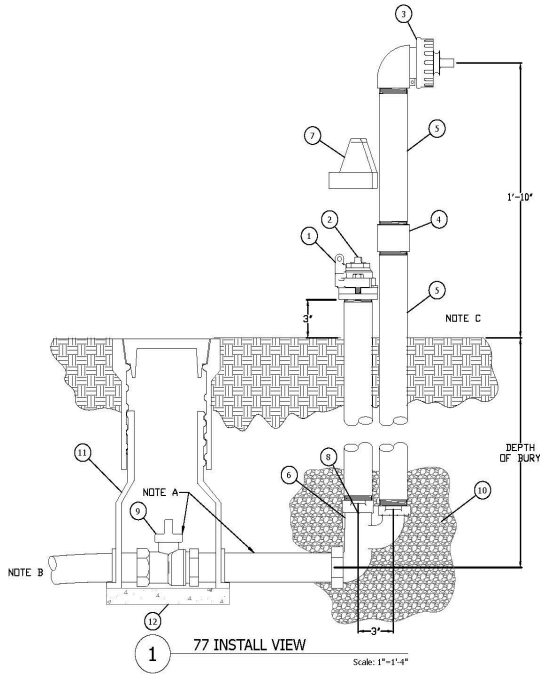
ITEM	DESCRIPTION	NOTES
1	TOP CAP	
2	SLOTTED OPERATING NUT	
3	2-1/2" NPT OUTLET NOZZLE AND CAP	
4	2" BREAKAWAY COUPLING	
5	2" EXTERNAL FIBER COATED PIPE	
6	HORIZONTAL INLET VALVE BODY	
7	LOADING COVER	
8	GRIND WHEEL	
9	HYDRANT BLOW-OFF VALVE	
10	CRUSHED ROCK	
11	VALVE BODY	
12	SOLID CONCRETE BLOCK	



**A** 2" MJ HORIZONTAL INLET  
Scale: 3"=1"



**B** 2" FIP VERTICAL INLET  
Scale: 3"=1"



Mainguard Flushing Hydrant (MFH) shall be installed in the following location(s): \_\_\_\_\_

Mainguard #77 blow-off hydrant shall be self-draining non-freezing type with a \_\_\_\_\_ depth of bury. Hydrant shall be furnished with a (2" FIP horizontal, 2" FIP vertical, or 2" MJ horizontal) inlet connection. A non-turning operating rod shall open to the left with 4 to 6 rotations being fully open. Outlet shall be 2-1/2" NPT standard or smaller with cap and extend a minimum of 12" above the ground.

All water flow shall pass through a 2" externally FBBI coated steel pipe and waterway. The operating drive mechanism shall raise and lower a PVC plunger to control the flow of water and shall be serviceable from above ground with no digging and shall operate with a standard universal slotted valve wrench. When open the flow of water shall be unobstructed and the drain hole shall be covered. All working parts shall be brass, galvanized steel or PVC.

Hydrant shall be set in 4 cubic feet of crushed stone to allow for proper drainage of hydrant. Recommendations of the AWWA should be followed when installing the hydrant

Unit model # shall be 77-X.X-X.X-X.X-X as specified in the product ordering guide as manufactured by Kupferle Foundry Company, St. Louis MO, or approved equal.

NOTES	
A	PIPPING BY OTHERS.
B	FLUSH LINE BEFORE INSTALLATION.
C	GROUND LINE MAY VARY.
D	IN CORROSIVE SOLIDS THE BURIED PIPE SHOULD BE PREPARED FOR ADDITIONAL RESISTANCE TO CORROSION. KUPFERLE RECOMMENDS SPRAYING ALL UNDERGROUND PIPING AND FITTINGS WITH BITUMINOUS SPRAY TAP, ALLOWING PROPER TIME TO DRY AND WRAPPING THE PARTS.

INITIALS		DATE	
DRAWN	KJV	07/25/24	XXX
APPROVED	XXX		
MODIFIED			
SHEET SIZE	B (11x17)	SCALE	VARIOUS



2511 NORTH 9TH STREET  
ST. LOUIS, MO 63102  
1-800-231-3990  
FAX 314-231-2820  
www.hydrants.com

## Dual O-ring plunger design allows for throttling of valve without water waste through the drain.

