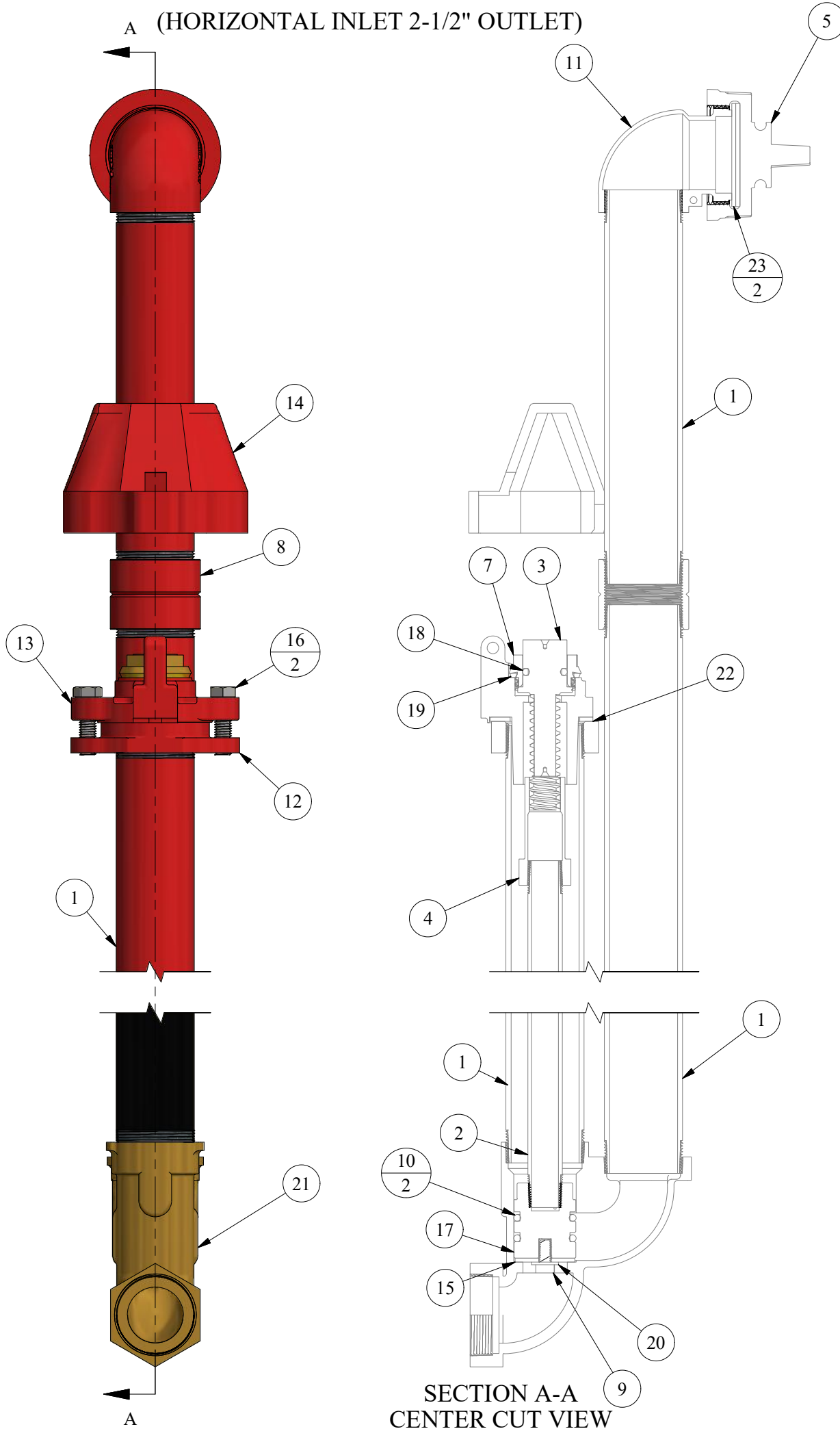


#77 CUT SHEET



PARTS LIST

ITEM	QTY	PART NUMBER	DESCRIPTION	NOTES
1	86.000 in	2P	2" BLACK IRON PIPE	B,C
2	32.250 in	3/4GAL	3/4" GALVANIZED PIPE	B,C
3	1	4B	SLOTTED TOP SCREW	
4	1	510	CONNECTING NUT	C
5	1	592-C	2-1/2" NST SIDE CAP (SMALL SQUARE)	
6	1	595	PEAR RING, CHAIN, S-HOOK ASSEMBLY	A
7	1	721	MAINGUARD PACKING NUT	
8	1	77A	TRAFFIC BREAKAWAY COUPLING	C,S
9	1	77C	SEAT RUBBER BOLT	
10	2	77D	PLUNGER O-RING	C
11	1	77E	BRASS NOZZLE (2-1/2 NST)	C
12	1	77F	NECK	C
13	1	77GA	TOP CAP	
14	1	77H	LOCKING COVER	C,S
15	1	77I	SEAT WASHER	C
16	2	77K	TOP CAP BOLT	C
17	1	77L	PLUNGER	
18	1	77M	O-RING FOR SLOTTED SCREW	C
19	1	77MG	PACKING NUT GASKET	C
20	1	77W	WASHER FOR PLUNGER	
21	1	79V	BRASS 2" SIDE INLET VALVE	C
22	1	A1	TOP CAP GASKET	C
23	2	A16	NOZZLE CAP GASKET	C

OPTIONS / REPAIR PARTS ONLY

24	0	2MJG	2" MECHANICAL JOINT GLAND	
25	0	2TG	2" TRANSITION GLAND	
26	0	707	2" MJ IRON ADAPTER	
27	0	77CL	IRON CLAMP	C
28	0	77J	BRASS 2" STRAIGHT INLET VALVE	C
29	0	77P	BOLT FOR CLAMP	C
30	0	77Q	NUT FOR CLAMP	C
31	0	79W-IRON	IRON VALVE 2" MJ 90°	A
32	0	85LHW	LONG HANDLE WRENCH	A
33	0	CORTEN	MJ BOLT AND NUT	

OLD STYLE PARTS LIST

34		4-77	"OLD STYLE" SQUARE TOP SCREW	A
35		4A	"OLD STYLE" SLOTTED TOP SCREW	A
36		620	"OLD STYLE" PACKING NUT	A
37		621	"OLD STYLE" PACKING NUT	A
38		77N	O-RING FOR TOP SCREW	A,C
39		77O	"OLD STYLE" PACKING NUT GASKET	A,C

REPAIR KITS

PART NUMBER	DESCRIPTION	PARTS INCLUDED	NOTES
X4B	"NEW STYLE" SLOTTED TOP SCREW COMPLETE	4B SCREW (1), 77M O-RING (1)	DUE TO COMPATIBILITY, IT IS RECOMMENDED THAT X4B BE ORDERED WITH 510 - CONNECTING NUT
X592C	NOZZLE CAP COMPLETE 2-1/2" NST	592-C SIDE CAP (1), A16 GASKET (2), 595 CHAIN ASSEMBLY (1)	
X707	2" MJ BRASS ADAPTER	707 2" BRASS MJ ADAPTER (1), 2MJG GLAND (1), 2TG 2" TRANSITION GASKET (1), CORTEN MJ BOLT AND NUT (2)	
X721	"NEW STYLE" PACKING NUT WITH GASKET	721 PACKING NUT (1), 77MG GASKET (1)	SEE X77OPASSY
X77EXT-6	MAINGUARD EXTENSION - FIRST 6"	2P EXTERIOR PIPES (2), 3/4GAL OPERATING ROD (1), 3/4C COUPLING (1), 77A COUPLING (1), 77F NECK (2), 629A-B-SS BOLT (2), 857 GASKET (1)	
X77EXT-XX	MAINGUARD EXTENSION - EACH ADDITIONAL 6"	2P EXTERIOR PIPES (2), 3/4GAL OPERATING ROD (1), 3/4C COUPLING (1), 77A COUPLING (1), 77F NECK (2), 629A-B-SS BOLT (2), 857 GASKET (1)	
X77GA	IRON TOP CAP COMPLETE	77GA TOP CAP (1), A1 GASKET (1), 77K BOLT (2)	SEE X77OPASSY
X77L	PLUNGER COMPLETE	77L PLUNGER (1), 77D O-RING (2), 77I SEAT WASHER (1), 77W WASHER (1), 77C BOLT (1)	
X77OPASSY	77 OPERATING ASSEMBLY - RED (NOTE 4)	4B SCREW (1), 510 CONNECTING NUT (1), 721 PACKING NUT (1), 77MG GASKET (1), 77GA TOP CAP (1), A1 GASKET (1), 77K BOLT (2)	RECOMMENDED FOR ALL REPAIRS
X77R	RISER FOR 77	77E NOZZLE (1), 2P PIPE (12"), 592-C SIDE CAP (1), A16 GASKET (2), 595 CHAIN ASSEMBLY (1)	
X77RK	REPAIR KIT	77D O-RING (2), 77I SEAT WASHER (1), 77W WASHER (1)	

OLD STYLE REPAIR KITS

X4-77	"OLD STYLE" SQUARE TOP SCREW COMPLETE	4-77 SCREW (1), 77N O-RING (1)	USED BEFORE APRIL 1995
X4A	"OLD STYLE" SLOTTED TOP SCREW COMPLETE	4A SCREW (1), 77M O-RING	USED APRIL 1995 TO JANUARY 2012
X620	"OLD STYLE" PACKING NUT WITH GASKET	620 PACKING NUT (1), 77O GASKET (1)	USED BEFORE APRIL 1995
X621	BRASS PACKING NUT COMPLETE	621 PACKING NUT (1), 77MG GASKET (1)	USED APRIL 1995 TO JANUARY 2012
X77RK-OLD	"OLD STYLE" REPAIR KIT	77D O-RING (2), 77I-1/2 "OLD STYLE" SEAT WASHER (1), 77W WASHER (1)	USED BEFORE APRIL 1995

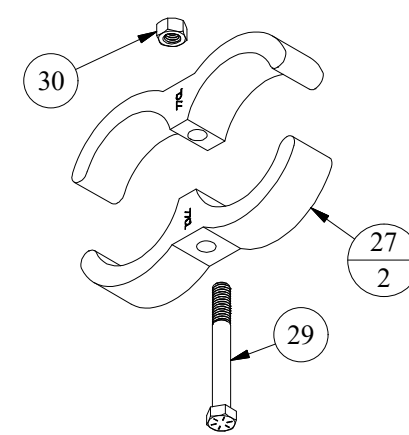
NOTE	DESCRIPTION
A	NOT SHOWN
B	PIPE LENGTH DEPENDENT ON DEPTH OF BURY, SHOWN AS 3'
C	SOLD AS REPLACEMENT PART
S	SPECIFY COLOR ON ORDER

DISCLAIMER
THIS DRAWING IS THE PROPERTY OF THE KUPFERLE FOUNDRY COMPANY. IT IS NOT TO BE USED OR DUPLICATED WITHOUT THE PERMISSION OF THE OWNER.

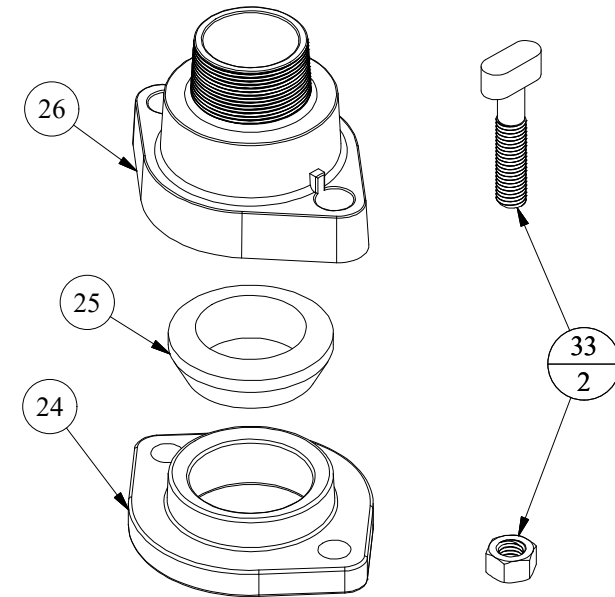
LEGEND

(X)	STANDARD TAG
(X/Y)	TAG WITH Y QUANTITY

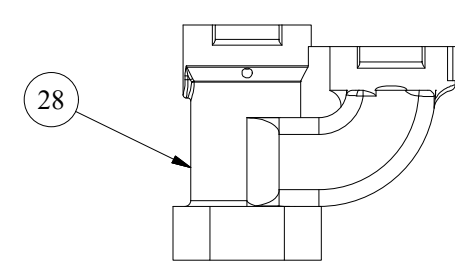
OPTIONAL CLAMP ASSEMBLY (STANDARD ON D.O.B.'S OVER 5')



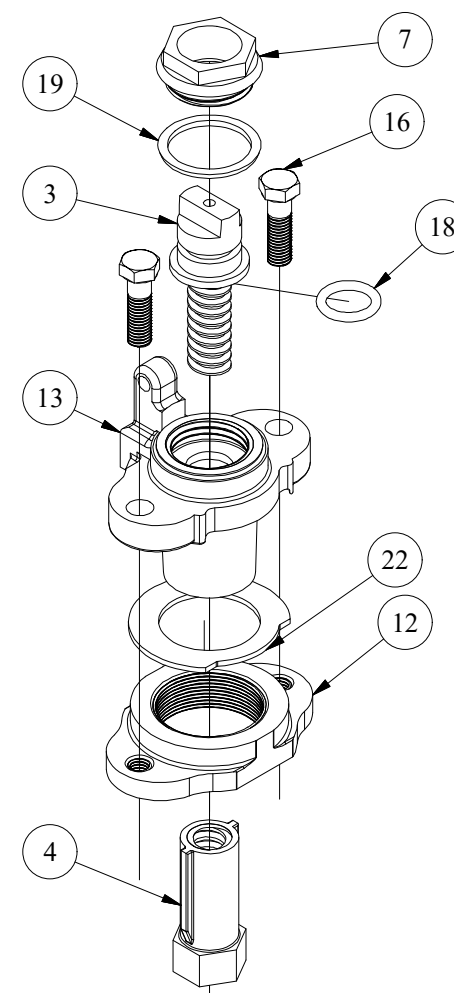
OPTIONAL MJ ADAPTER



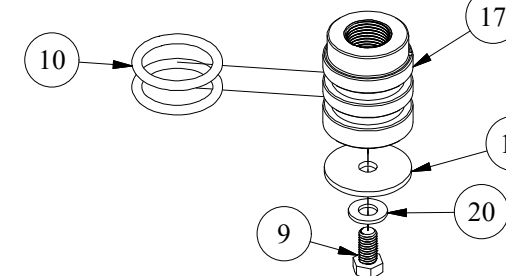
OPTIONAL STRAIGHT INLET VALVE



TOP CAP ASSEMBLY



PLUNGER ASSEMBLY



DRAWN	SMS	5/15/2017
CHECKED	DCL	9/10/2017
MODIFIED	KJW	12/29/2020
SIZE	C	SCALE 1/4
DWG NO	#77 Cut_Rev0.1	



2511 NORTH 9TH ST.
ST. LOUIS, MO 63102
1-800-231-3990

SHEET	REV
1 OF 1	0.1