

MainGuard #8000WD

4" Washdown Hydrant for WTPs/WWTPs

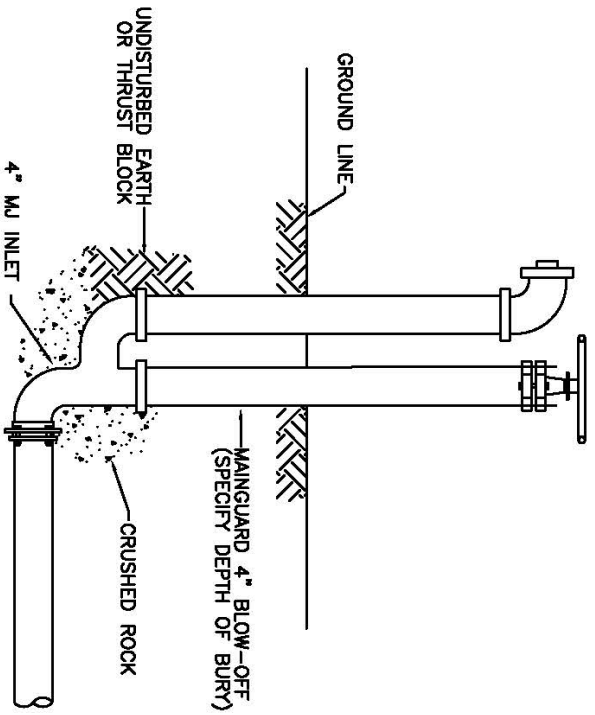
MAIN**GUARD**™

- Unique 4" valve design allows for full flow of water
- Plunger Design allows for throttling of water flow
- Standard 10" handwheel for easy opening/closing
- Locking feature for operating nut
- Horizontal and Vertical inlet available
- Optional backflow prevention (vacuum breaker, ball check valves)
- Iron nozzle cap and chain standard
- Multiple outlet options (MIP, NST, Quick Disconnect Adapters, etc.)
- Fully serviceable from above ground—no digging!



2511 North 9th Street
St. Louis, MO 63102
800-231-3990
Www.hydrants.com
info@hydrants.com


#8000WD MAINGUARD 4" WASH DOWN HYDRANT



BLOW-OFFS SHALL BE NON-FREEZING, SELF DRAINING TYPE WITH A DEPTH OF BURY, BLOW-OFFS WILL BE FURNISHED WITH A 4" MJ INLET, A NON-TURNING OPERATING ROD AND SHALL OPEN TO THE LEFT. THE OPERATING DRIVE MECHANISM SHALL BE OF BRONZE-TO-BRONZE DESIGN WITH AN ALUMINUM PLUNGER AND BE SERVICEABLE FROM ABOVE GRADE WITH NO DIGGING. UNITS SHALL OPERATE WITH A STANDARD 2" GATE VALVE WRENCH. WHEN OPEN, VALVE SHALL BE 100% UNOBSTRUCTED AND DRAIN HOLE SHALL BE COVERED. THE OUTLET SHALL BE 4" FIP WITH PLUG AND EXTEND A MINIMUM OF 12" ABOVE THE GROUND, AS MANUFACTURED BY KUPFERLE FOUNDRY CO., ST. LOUIS, MO. MODEL #7500, OR APPROVED EQUAL.

NO.	DATE	REVISION

DRAWN G.B.
APPROVED
DATE 06-08-16
MAT'L



KUPFERLE FOUNDRY COMPANY

2511 NORTH 9TH STREET, ST. LOUIS, MO 63102
 314-281-8738 800-231-3990 FAX 314-213-2820
<http://www.hydrants.com>

PART NO. #8000WD WASH-DOWN HYDRANT