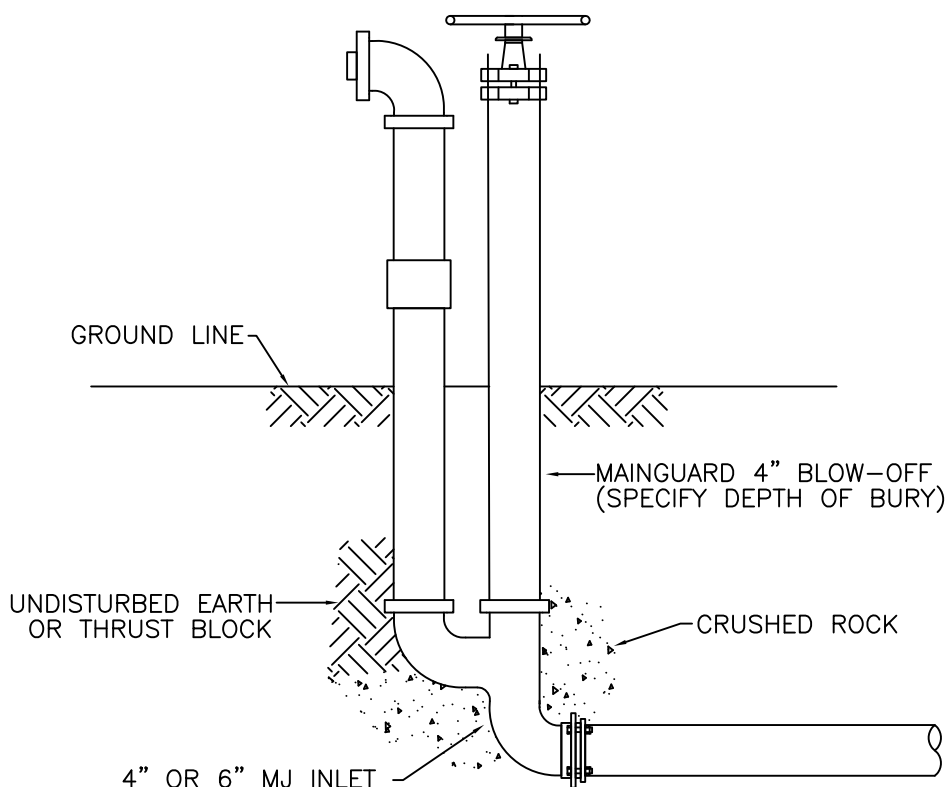


#8000WD MAINGUARD 4" BLOW-OFF



BLOW-OFFS SHALL BE NON-FREEZING, SELF DRAINING TYPE WITH A _____' DEPTH OF BURY. BLOW-OFFS WILL BE FURNISHED WITH A 4" OR 6" MJ INLET, A NON-TURNING OPERATING ROD AND SHALL OPEN TO THE LEFT. THE OPERATING DRIVE MECHANISM SHALL BE OF BRONZE-TO-BRONZE DESIGN WITH AN ALUMINUM PLUNGER AND BE SERVICEABLE FROM ABOVE GRADE WITH NO DIGGING. UNITS SHALL OPERATE WITH A STANDARD 2" GATE VALVE WRENCH. WHEN OPEN, VALVE SHALL BE 100% UNOBSTRUCTED AND DRAIN HOLE SHALL BE COVERED. THE OUTLET SHALL BE 4" FIP WITH PLUG AND EXTEND A MINIMUM OF 12" ABOVE THE GROUND, AS MANUFACTURED BY KUPFERLE FOUNDRY CO., ST. LOUIS, MO. MODEL #7500, OR APPROVED EQUAL.

Inlet Pressure (psi)	Flow Rate (gpm)
75	675
100	742
125	800
150	856

DRAWN
G.B.
APPROVED
DATE
MAT'L

ECLIPSE
Since 1857

KUPFERLE FOUNDRY COMPANY

2511 NORTH 9TH STREET, ST. LOUIS, MO 63102
314-231-8738 800-231-3990 FAX 314-231-2820
<http://www.hydrants.com>

DATE	REVISION	PART NO. #2 ECLIPSE POST HYDRANT	SHEET	OF
------	----------	----------------------------------	-------	----