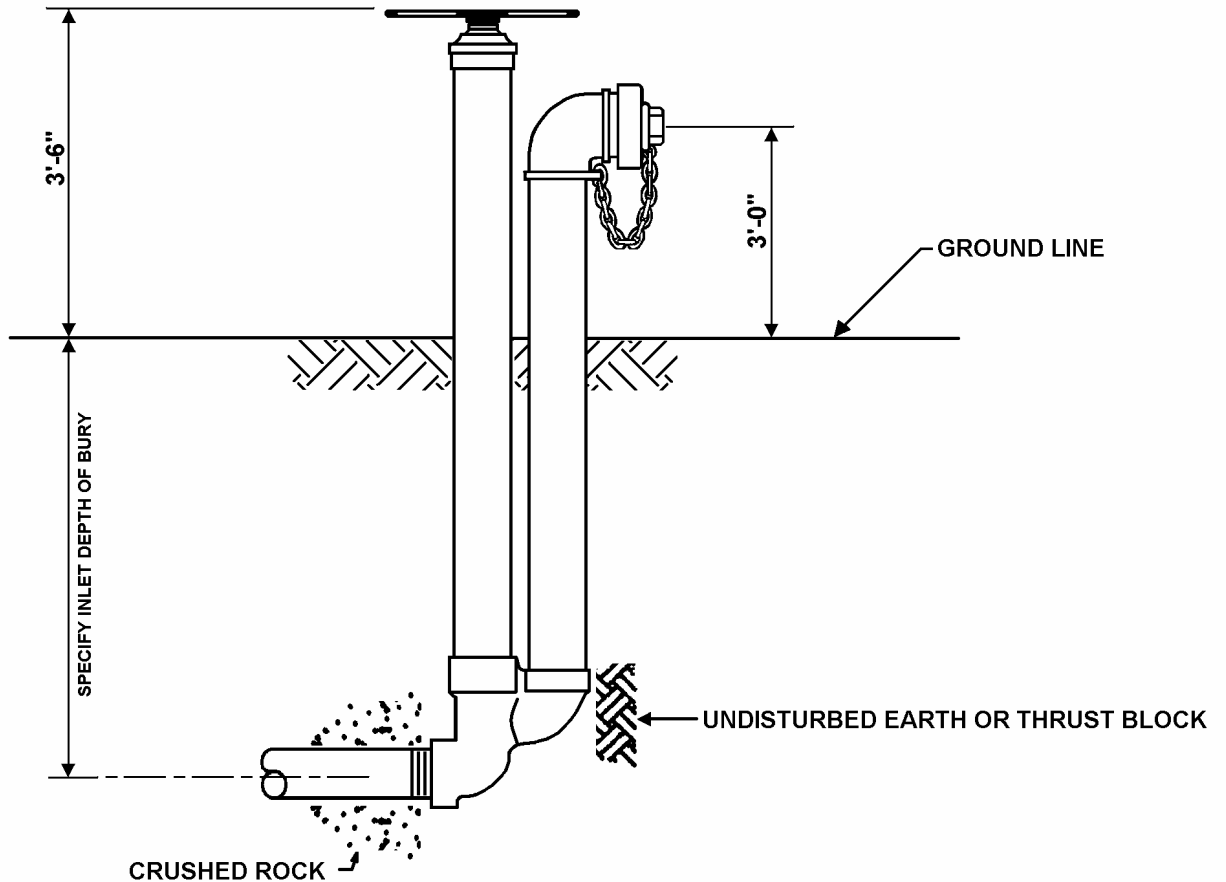


## NO. 80WD MAINGUARD HYDRANT



POST HYDRANTS SHALL BE NON-FREEZING, SELF DRAINING TYPE WITH A DEPTH OF BURY OF \_\_\_\_\_. THESE HYDRANTS WILL BE FURNISHED WITH A 2" FIP INLET AND A 2-1/2" NST OUTLET OR SMALLER. HYDRANT SHALL HAVE A NON-TURNING OPERATING ROD AND SHALL OPEN TO THE LEFT. ALL WORKING PARTS SHALL BE BRONZE TO BRONZE DESIGN AND BE SERVICEABLE FROM ABOVE GRADE WITH NO DIGGING. HYDRANTS SHALL BE MANUFACTURED BY KUPFERLE FOUNDRY CO., ST. LOUIS, MO, OR APPROVED EQUAL.