

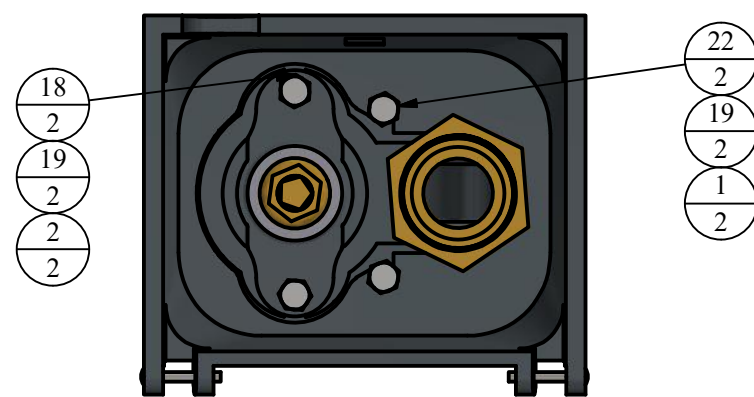
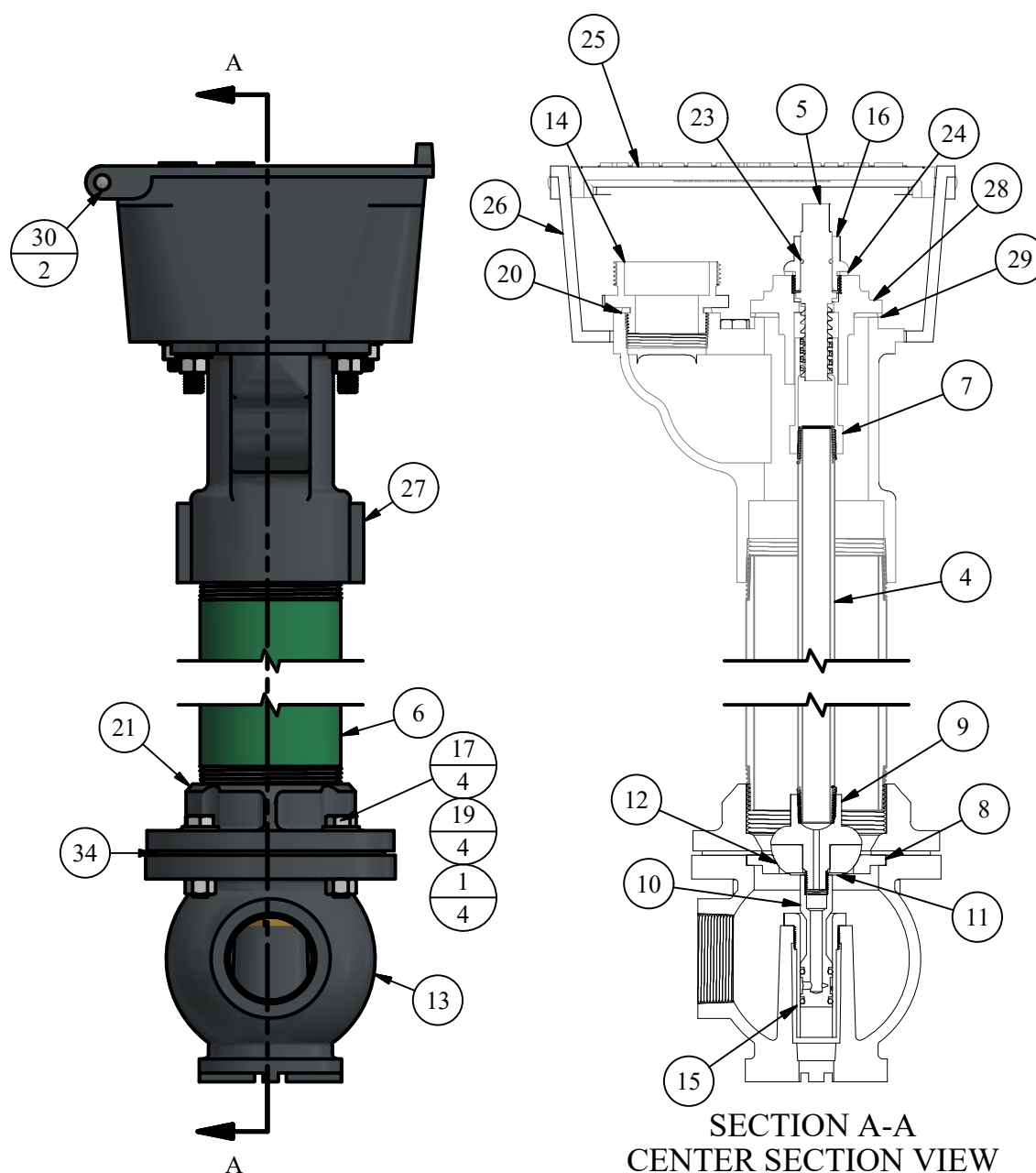
#85 CUT SHEET

(2" FIP INLET & 2-1/2" NST OUTLET SHOWN)
NOTE J

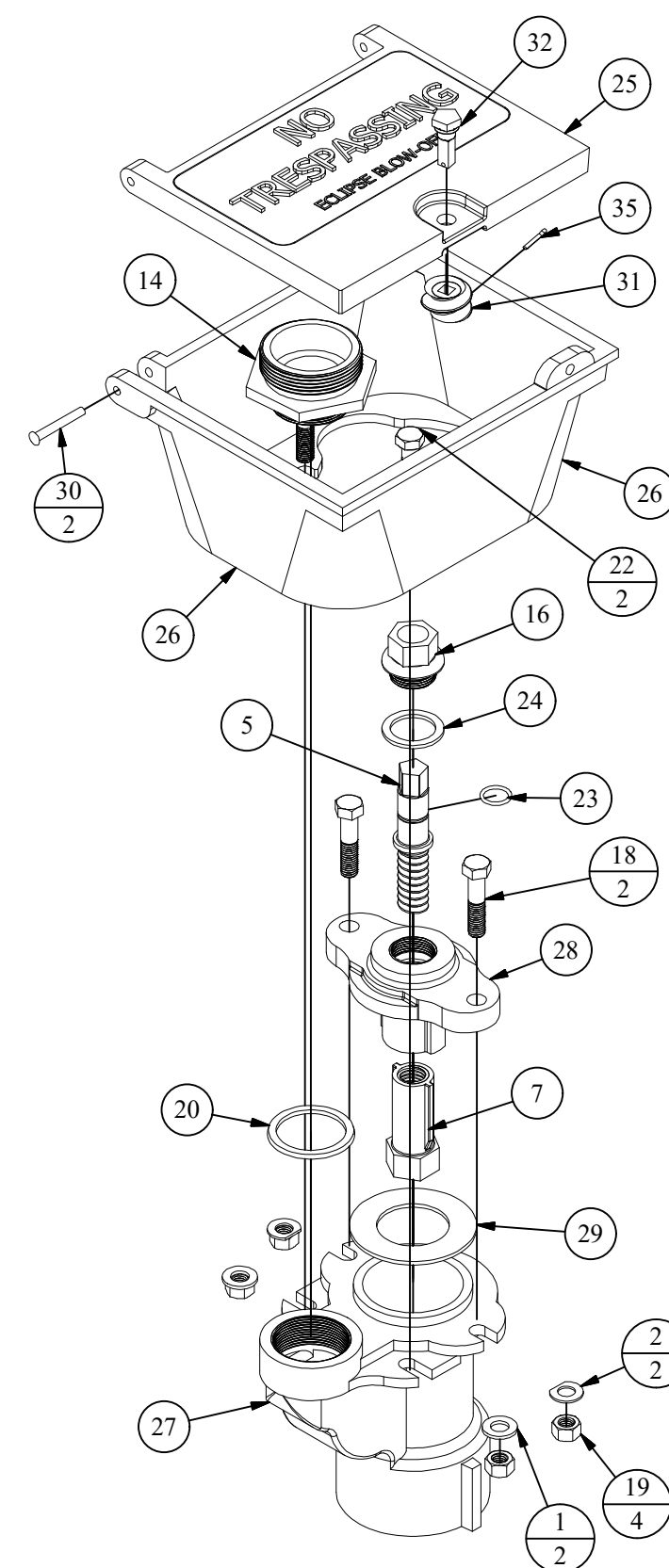
BOX & TOP CAP ASSEMBLY

PARTS LIST

ITEM	QTY	PART NUMBER	DESCRIPTION	NOTES
1	6	1/2W	STEEL WASHER FOR BOTTOM	C
2	2	1/2W-C	STEEL CLIPPED WASHER	C
3	2	2OR	O-RING FROM PLUNGER STEM	C
4	24.000 in	3/4GAL	3/4" GALVANIZED PIPE	B,C
5	1	4	LOW LEAD BRASS SCREW	C
6	20.000 in	4FBE	3-1/2" FBE COATED STEEL PIPE	B,C,M
7	1	510	CONNECTING NUT	C
8	1	521	SEAT RING	C
9	1	537-P	"NEW STYLE" PLUNGER TOP	
10	1	539L2	"NEW STYLE" PLUNGER STEM	
11	1	539W	S.S. WASHER FOR PLUNGER STEM	
12	1	541	SEAT RUBBER	C
13	1	571-A	IRON BOTTOM 2" IP	C,J
14	1	601A	NOZZLE 2-1/2" NST	C,J
15	1	611	WASTE TUBE	
16	1	620	PACKING NUT	
17	4	628A-B	HEX BOLT FOR BOTTOM	C
18	2	629A-B	HEX BOLT FOR TOP CAP	
19	8	629A-N	1/2" STEEL HEX NUT	
20	1	669	PACKING NUT GASKET	C,J
21	1	678	FLANGE COUPLING FOR DUCTILE	C
22	2	77K	HEX BOLT FOR NEW STYLE 85 BOX	C
23	1	77N	O-RING FOR TOP SCREW	C
24	1	77O	PACKING NUT GASKET	C
25	1	851	LID FOR 85 BOX	C
26	1	852-N	NEW STYLE BOX FOR 85	C
27	1	853B-N	"NEW STYLE" YOKE	C
28	1	854	TOP CAP FOR 85	
29	1	857	TOP CAP GASKET	C
30	2	858	BOX RIVETS S.S.	C
31	1	85WL-GEAR	WORM LOCK GEAR	
32	1	85WL-INSERT	WORM LOCK	
33	1	A19	O-RING FOR WASTE TUBE	C
34	1	A8	"NEW STYLE" BOTTOM GASKET	C
35	1		COTTER PIN FOR WORM LOCK	
OPTIONS / REPAIR PARTS LIST				
36	0	592-D	NOZZLE CAP	A,C,J
37	0	85LHW	LONG HANDLE WRENCH	A,C
38	0	85SHW	SHORT HANDLE WRENCH	A,C
39	0	A16	NOZZLE CAP GASKET	A,C,J
OLD STYLE PARTS LIST				
40		851	"OLD STYLE" LID	A,C
41		852	"OLD STYLE" BOX	A,C
42		853-B	"OLD STYLE" IRON YOKE	A,C
43		PACKING	PACKING	A,C



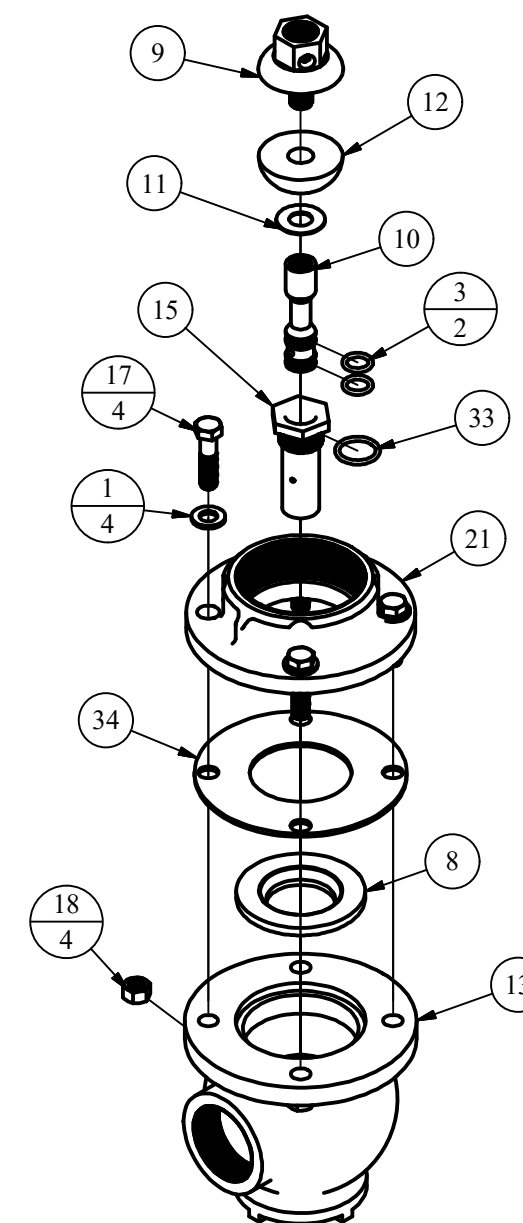
TOP VIEW WITH NO LID



REPAIR KITS

PART NUMBER	DESCRIPTION	PARTS INCLUDED	NOTES
X4	BRASS TOP SCREW COMPLETE	4 SCREW (1), 77N O-RING (1)	
X531-UOR	PLUNGER COMPLETE "NEW STYLE" (w/ O-RINGS)	NOTE K	
X539L2	"NEW STYLE" PLUNGER STEM COMPLETE	NOTE K	
X566-NS	WASHER SET "NEW STYLE"	541 SEAT RUBBER (1), 2OR O-RING (3), 539W WASHER (1)	
X571A	IRON BOTTOM 2" IP COMPLETE	NOTE J	
X592D	2-1/2" NOZZLE CAP COMPLETE	NOTE J	
X601A	BRASS NOZZLE 2-1/2" NST	NOTE J	
X611	WASTE TUBE WITH O-RING	611 WASTE TUBE (1), A19 O-RING (1)	
X620	BRASS PACKING NUT WITH GASKET	620 PACKING NUT (1), 77O GASKET (1)	
X628B-B	TOP CAP BOLT AND NUT	629A-B BOLT (1), 629A-N NUT (1), 1/2W-C WASHER	REQUIRES 2 SETS PER CAP
X629A	BOTTOM BOLT, NUT, AND WASHER	628A-B BOLT (1), 629A-N NUT (1), 1/2W WASHER (1)	REQUIRES 4 SETS PER BOTTOM
X852-NEW	"NEW STYLE" BOX COMPLETE	851 LID (1), 852-N BOX (1), 858 RIVET (2), 85WL GEAR (1), 85WL-INSERT (1), COTTER PIN (1)	POST AUG 2005
X854	TOP CAP COMPLETE	854 TOP CAP (1), 857 GASKET (1), 629A-B BOLT (2), 629A-N NUT (2), 1/2W-C WASHER	
X85WL	BRASS WORM LOCK ASSEMBLY	85WL GEAR (1), 85WL-INSERT (1), COTTER PIN (1)	
OLD STYLE REPAIR KITS			
X531	PLUNGER COMPLETE "OLD STYLE" (WITH LEATHERS)	NOTE K	
X566	WASHER SET ("OLD STYLE" WITH LEATHERS)	NOTE K	
X566-NS	WASHER SET ("NEW STYLE")	541 SEAT RUBBER (1), 2OR O-RING (3), 539W WASHER (1)	
X852-OLD	"OLD STYLE" BOX COMPLETE	851 LID (1), 852 BOX (1), 858 RIVET (2), 85WL GEAR (1), 85WL-INSERT (1), COTTER PIN (1)	BEFORE AUG 2005

BOTTOM ASSEMBLY




NOTE	DESCRIPTION
A	NOT SHOWN
B	PIPE LENGTH DEPENDENT ON DEPTH OF BURY
C	SOLD AS REPLACEMENT PART
J	SEVERAL OTHER INLET/OUTLET CONFIGURATIONS ARE OFFERED. SEE NOTES K & L
K	SEE #2, #8, #85 GUIDE FOR INLET, NOZZLE, CAP OPTIONS, & PLUNGER HISTORY SHEET FOR ASSEMBLY VIEWS AND REPLACEMENT PART INFORMATION
M	BARREL PIPE FUSION BONDED EPOXY COATED, BOTH INTERNALLY AND EXTERNALLY

DISCLAIMER:
THIS DRAWING IS THE PROPERTY OF THE KUPFERLE
FOUNDRY COMPANY. IT IS NOT TO BE USED OR
DUPLICATED WITHOUT THE PERMISSION OF THE OWNER.

LEGEND

- (X) → STANDARD TAG
- (X/Y) → TAG WITH Y QUANTITY

DRAWN	9/18/2017	 Since 1857 2511 NORTH 9TH ST. ST. LOUIS, MO 63102 1-800-231-3990	
SMS CHECKED	10/29/2017		
DCL MODIFIED	04/14/2021		
KJW			
SIZE	C	SCALE	1 / 5
DWG NO	#85 Cut_Rev1.1	SHEET	1 OF 1
		REV	1