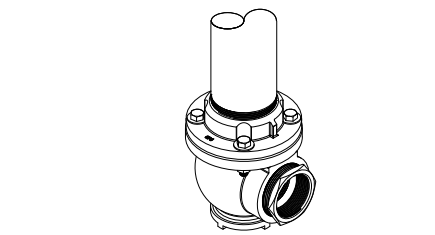


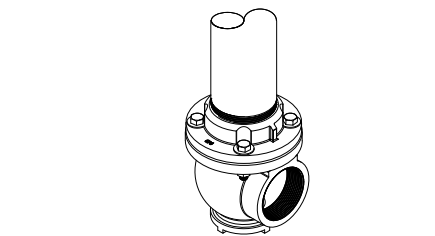
#85 BELOW-GRADE BLOW-OFF HYDRANT SPEC SHEET

GENERAL HYDRANT SPECIFICATIONS	
MAXIMUM OPERATING PRESSURE:	300 PSI
INLET MATERIALS:	CAST IRON, BUNA-N, C89833 BRASS
TOP STOCK MATERIAL:	CAST IRON
ENCLOSURE COLOR:	BLACK
WETTED MATERIALS:	BUNA-N, EPOXY COATED CAST IRON, & C89833 BRASS
DEPTH OF BURY:	3' STANDARD
WEIGHT:	65 LBS

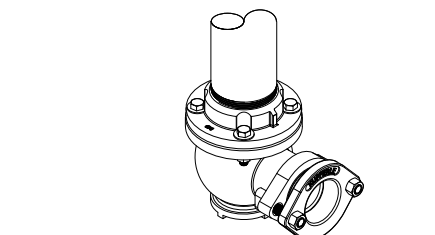
OTHER SPECIFICATIONS AVAILABLE UPON REQUEST



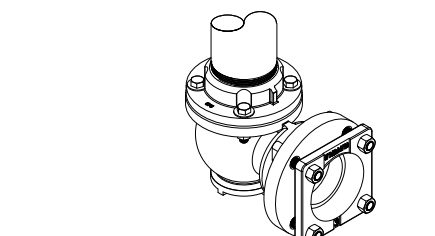
A 2-1/2" FIP INLET
Scale: 1"=1'



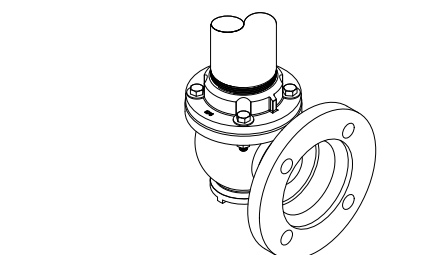
B 3" FIP INLET
Scale: 1"=1'



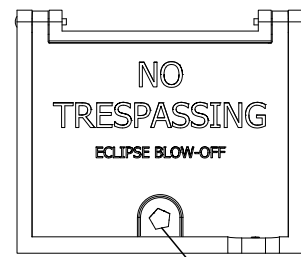
C 2" MJ INLET
Scale: 1"=1'



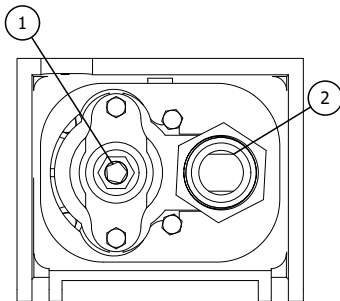
D 3" MJ INLET
Scale: 1"=1'



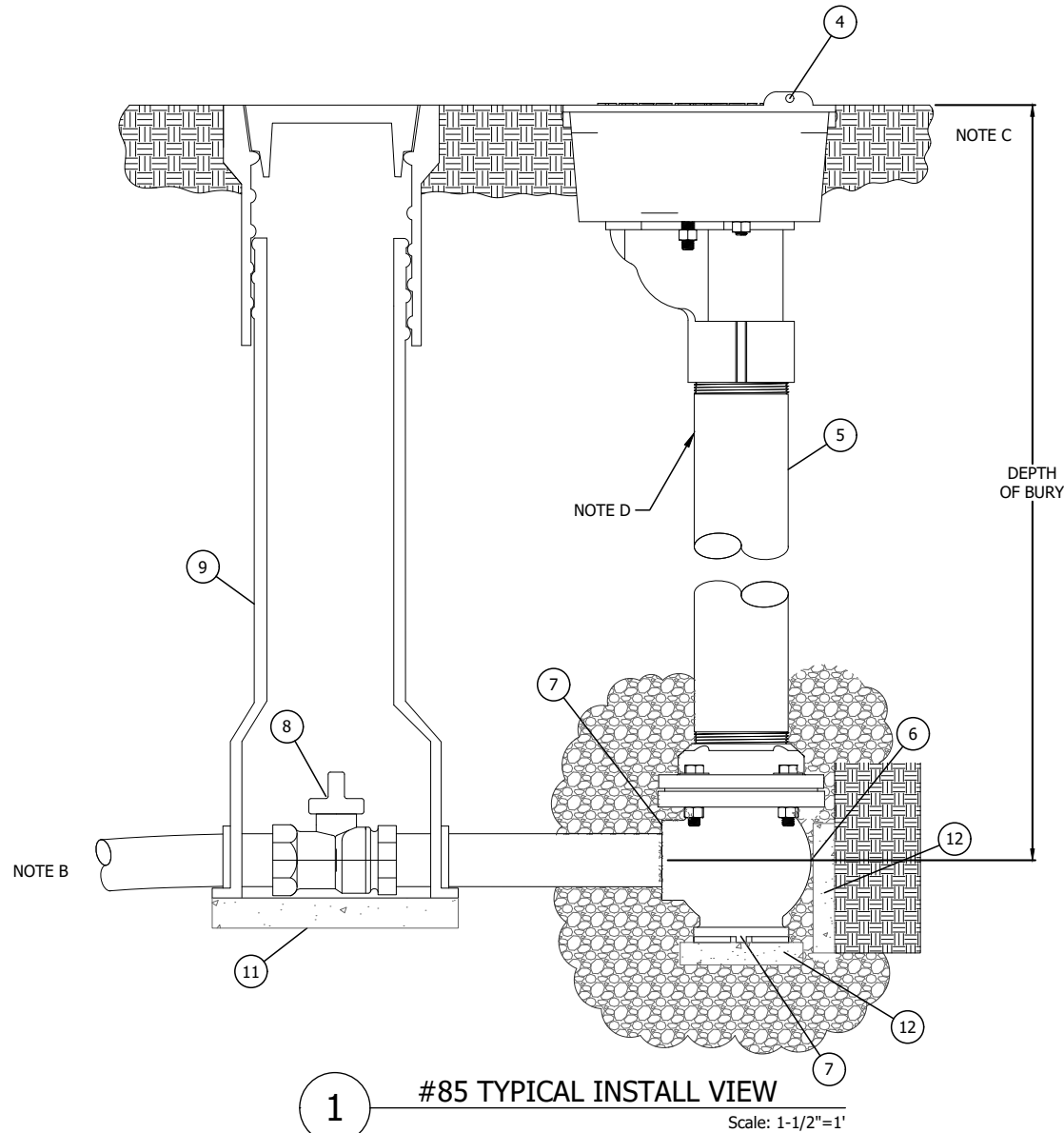
E 4" MJ INLET
Scale: 1"=1'



F LID VIEW
Scale: 1-1/2"=1'



G TOP VIEW LID OPEN
Scale: 1-1/2"=1'



1 #85 TYPICAL INSTALL VIEW
Scale: 1-1/2"=1'

Eclipse Product Ordering Guide			
MODEL#	85	- X.X	- A - A - A - X - X
SUBSECTION	1	2	3 4 5 6 7
SUBSECTION DESCRIPTION	MODEL # SUBSECTION	OPTIONS	DESCRIPTIONS
MODEL	1	85	BELOW-GRADE BLOW-OFF HYDRANT
DEPTH OF BURY	2	0.0	X.X = FEET DEPTH OF BURY. ENTER # IN FEET AND INCLUDE INCHES. ROUND TO NEAREST 0.5 FEET.
INLET	3	A	2" FNPT
		B	2-1/2" FNPT
		C	3" FNPT
		D	2" MJ
		E	3" MJ
		F	4" MJ
OUTLET	4	A	2-1/2" MNPT BRASS NOZZLE
		B	1-1/2" MNPS BRASS NOZZLE
		C	1-1/2" MNPT BRASS NOZZLE
		D	2" MNPS BRASS NOZZLE
		E	2" MNPT BRASS NOZZLE
		F	2-1/2" MNPS BRASS NOZZLE
		G	2-1/2" FNPT IRON NOZZLE
OPERATING ROD MATERIAL	5	H	CALL FOR CUSTOM
		A	1-1/16" SOLID STEEL ROD
		B	1-1/16" SOLID S.S. ROD
		C	3/4" STEEL PIPE
		D	3/4" S.S. PIPE
		E	3/4" BRASS PIPE
OPERATING WRENCH	6	X	NONE
		A	SHORT HANDLE "T" WRENCH
		B	LONG HANDLE "T" WRENCH

ITEM	DESCRIPTION	NOTES
1	OPERATING SCREW	
2	2-1/2" NST OUTLET	
3	LID WORM LOCK	
4	PADLOCK HOLE	
5	3-1/2" FBE COATED STEEL PIPE	
6	INLET VALVE BODY	
7	DRAIN HOLE	
8	HYDRANT SHUT-OFF VALVE	BY OTHERS
9	VALVE BOX	BY OTHERS
10	CRUSHED ROCK	BY OTHERS
11	CONCRETE BLOCK	BY OTHERS
12	THRUST BLOCKS	BY OTHERS

Below-grade Blow-off Hydrant shall be installed in the following location(s): _____

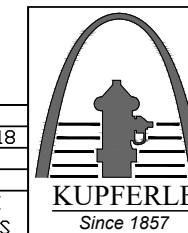
Hydrant shall be self-draining, non-freezing with a 3' standard depth of bury. Hydrant shall be furnished with a 2" FIP horizontal inlet connection standard. A non-turning operating rod shall open to the left with 4-6 turns to fully open. Outlet shall be 2-1/2" NPS standard with optional cap. Hydrant shall be housed in a lockable cast iron box. All water flow shall pass through a 3-1/2" FBE internally and externally coated steel pipe and waterway. The operating drive mechanism shall raise and lower a plunger to control the flow of water. Drive mechanism shall be serviceable from above ground with no digging. All working parts shall be brass, galvanized steel or FBE coated steel. Said operating parts shall operate with a "T" handle valve wrench. When open the flow of water shall be unobstructed and the drain hole shall be covered. Hydrant shall be set in 4 cubic feet of crushed stone to allow for proper drainage of hydrant. Recommendation of the AWWA should be followed when installing the hydrant.

Unit model # shall be 85-X.X-X-X-X as specified in the product ordering guide as manufactured by Kupferle Foundry Company, St. Louis MO, or approved equal.

NOTES	
A	PIPING BY OTHERS
B	FLUSH LINE BEFORE INSTALLATION OF THE HYDRANT
C	GROUND LINE MAY VARY
D	IN CORROSIVE SOLIDS THE BURIED PIPE SHOULD BE PREPPED FOR ADDITIONAL RESISTANCE TO CORROSION. KUPFERLE RECOMMENDS SPRAYING ALL UNDERGROUND PIPING AND FITTINGS WITH BITUMINOUS SPRAY TAR, ALLOWING PROPER TIME TO DRY AND WRAPPING THE PARTS.

DD/MM/YY	ISSUED FOR ...
DATE	STATUS / REVISION

	INITIALS	DATE
DRAWN	SMS	10/15/18
APPROVED	XXX	XXX
MODIFIED		
SHEET SIZE	SCALE	
B (11x17)	VARIES	



2511 NORTH 9TH STREET
ST. LOUIS, MO 63102
1-800-231-3990
FAX 314-231-2820
www.hydrants.com