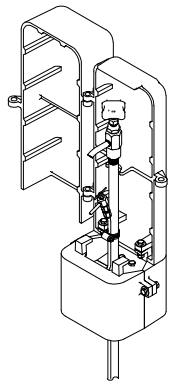
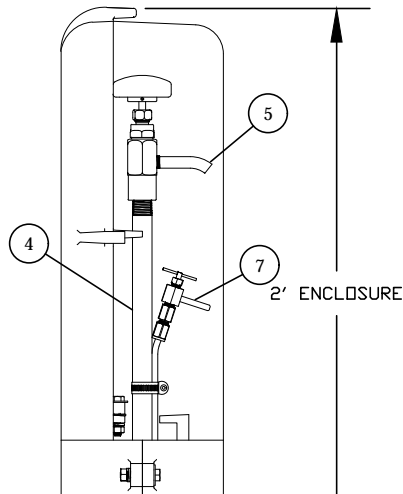


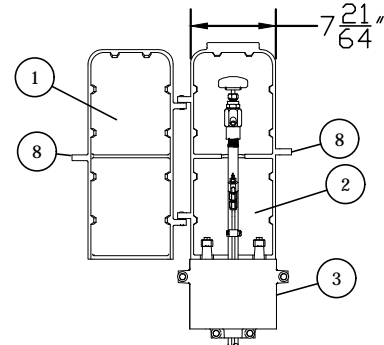
#88-SS SAMPLING STATION SPEC SHEET



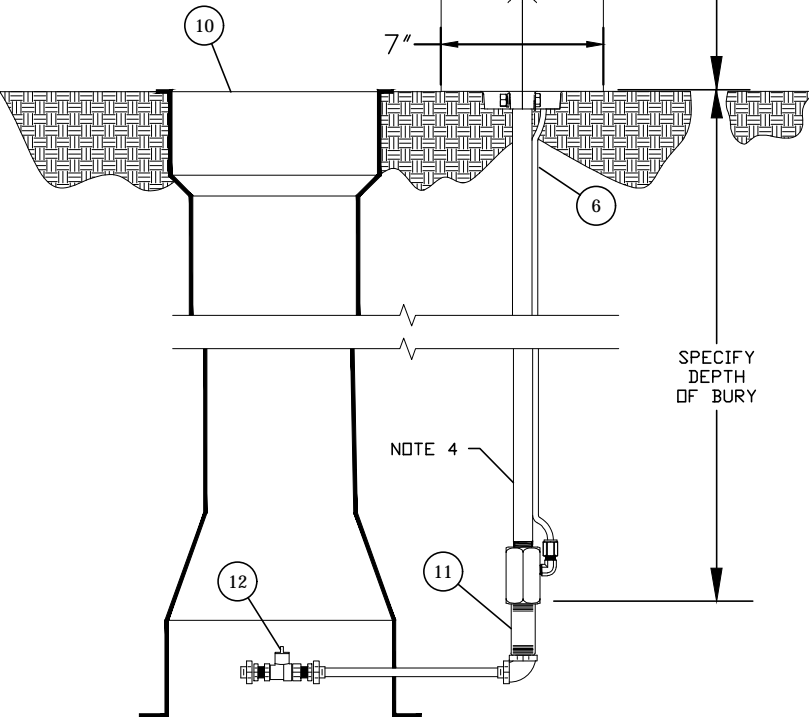
1 ISO VIEW
Scale: 3/4"=1'-0"



2' ENCLOSURE



2 ENCLOSURE OPEN VIEW
Scale: 3/4"=1'-0"



SPECIFY DEPTH OF BURY

NOTE 4

SAMPLING STATION SHALL BE _____' BURY, WITH A 3/4" FIP INLET, AND 1/2" UNTHREADED BLOW OFF AND SAMPLING BIBB.

STATION SHALL BE ENCLOSED IN A LOCKABLE, NON-REMOVABLE ALUMINUM BOX WITH HINGED OPENINGS.

WHEN OPEN, THE STATION SHALL REQUIRE NO KEY FOR OPERATION, AND ALL WATER FLOW SHALL PASS THRU AN ALL STAINLESS STEEL WATERWAY.

ALL WORKING PARTS SHALL BE OF STAINLESS STEEL AND SERVICEABLE FROM ABOVE GROUND WITH NO DIGGING OR REPLACEMENT NEEDED.

A STAINLESS STEEL PET COCK WILL BE LOCATED BELOW THE SAMPLING BIBB USING A 1/4" STAINLESS STEEL TUBE TO ALLOW A PUMP TO REMOVE ANY WATER REMAINING INSIDE THE STATION TO INSURE NON-FREEZING.

THE STATION SHALL BE MODEL #88-SS AS MANUFACTURED BY THE KUPFERLE FOUNDRY, ST. LOUIS MO. 63102 OR APPROVED EQUAL.

#88-SS SAMPLING STATION TO BE INSTALLED AT THE FOLLOWING LOCATIONS:

NOTES:

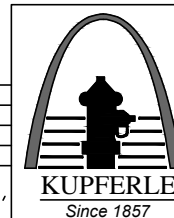
- 1.) IF THE COLOR SHALL BE ANY COLOR OTHER THAN GREEN CHECK WITH THE MANUFACTURER FOR COLOR OPTIONS
- 2.) WHEN INSTALLED ON OR WITH CONCRETE KUPFERLE RECOMMENDS THE USE OF A GASKET OR BARRIER BETWEEN THE ENCLOSURE AND THE CONCRETE SURFACE. WHEN PURCHASING THE STATION, IF CONCRETE INSTALL IS SPECIFIED ON THE ORDER KUPFERLE WILL PROVIDE SAID GASKET. THE ENCLOSURE CLAMP ON THE BOTTOM OF THE ENCLOSURE WILL FIT INSIDE A 4" PVC PIPE.
- 3.) PROLONGED EXPOSURE TO STRONG CHLORIDES WHICH CAN BE PRESENT IN CONCRETE, CLEANING AGENTS, AND SOMETIMES EVEN POTABLE WATER CAN LEAD TO POSSIBLE ENCLOSURE CORROSION. REGULAR MAINTENANCE AND DRYING THE STATION AFTER USE ARE THE BEST METHODS FOR OPTIMAL STATION LONGEVITY.
- 4.) IN CORROSIVE SOILS THE BURIED PIPE SHOULD BE PREPPED FOR ADDITIONAL RESISTANCE TO CORROSION. KUPFERLE RECOMMENDS SPRAYING ALL UNDERGROUND PIPING AND FITTINGS WITH BITUMINOUS SPRAY TAR, ALLOWING PROPER TIME TO DRY, AND THEN WRAPPING THE PARTS.

ITEM	ITEM / DESCRIPTION	NOTES
1	88 FRONT DOOR (COVER A)	
2	88 REAR DOOR (COVER B)	
3	88 BASE	2 PIECES
4	1/2" S.S. WATERWAY	
5	BLOW OFF & SAMPLING BIBB	
6	1/4" S.S. TUBING	
7	PET COCK	
8	LOCKING HOLE	
9	NOT USED	
10	VALVE BOX	BY OTHERS
11	3/4" S.S. NIPPLE	BY OTHERS
12	CURB STOP BALL VALVE	BY OTHERS

DD/MM/YY	ISSUED FOR REFERENCE
DATE	STATUS / REVISION

#88-SS SAMPLING STATION

	INITIALS	DATE
DRAWN	DCL	9/3/13
APPROVED	DCL	9/3/18
MODIFIED	SMS	2/12/18
	SCALE	1-1/2"=1'



2511 NORTH 9TH STREET
ST. LOUIS, MO 63102
1-800-231-3990
FAX 314-231-2820
www.hydrants.com