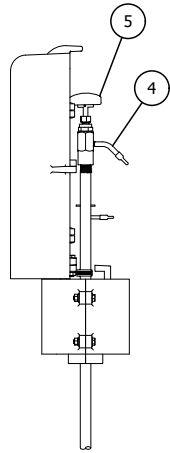
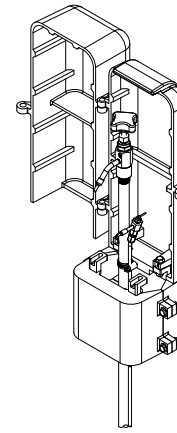
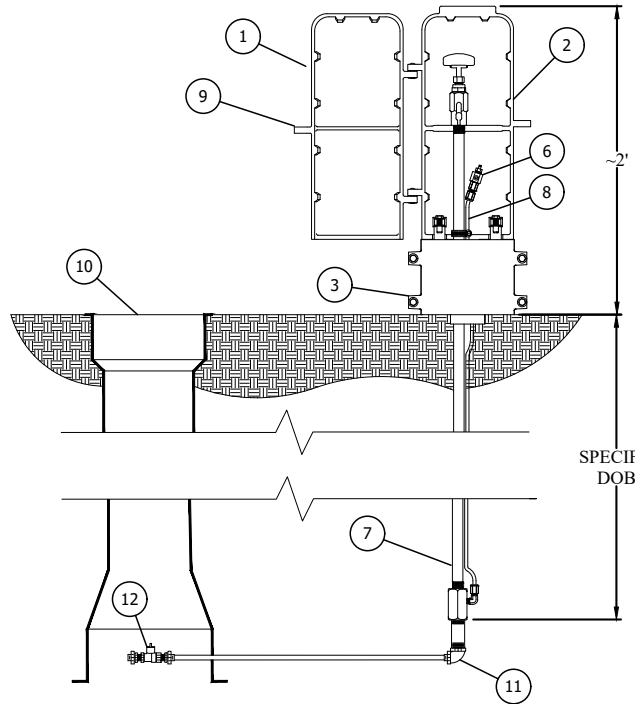


#88-SS SAMPLING STATION SPEC SHEET



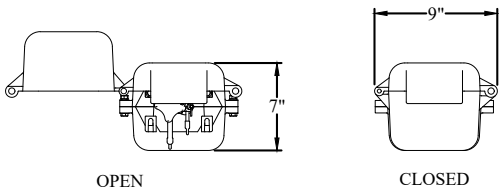
A SIDE VIEW
Scale: 3/4"=1'-0"



C ISO VIEW
Scale: 3/4"=1'-0"

GENERAL SPECIFICATIONS	
MAXIMUM OPERATING PRESSURE	220 PSI
STATION MATERIALS:	303, 316, & 18-8 STAINLESS STEEL, BUNA-N
ENCLOSURE MATERIAL:	CAST AL 319 ALUMINUM
ENCLOSURE COLOR:	GREEN
WETTED MATERIALS:	BUNA-N RUBBER, 303 & 18-8 STAINLESS STEEL
DEPTH OF BURY:	SPECIFY
WEIGHT:	~35 LBS at 3' DOB
CUSTOM LOGO:	

ITEM	DESCRIPTION	NOTES
1	88 FRONT DOOR (COVER A)	
2	88 REAR DOOR (COVER B)	
3	88 BASE	2 PIECES
4	3/8" UNTHREADED NOZZLE	
5	OPERATING HANDLE	
6	PETCOCK	
7	1/2" S.S. WATERWAY	
8	1/4" S.S TUBING	
9	LOCKING HOLE	
10	VALVE BOX	BY OTHERS
11	3/4" S.S. ELBOW	BY OTHERS
12	BALL VALVE CURBSTOP	BY OTHERS



B TOP VIEWS
Scale: 3/4"=1'-0"

1 88-SS INSTALL
Scale: 3/4"=1'-0"

Sampling Station shall be _____' bury, with a 3/4" FIP inlet, and 3/8" unthreaded blow off and sampling bibb. Station shall be enclosed in a lockable, aluminum box with hinged openings.

When open, the station shall require no key for operation, and all water flow shall pass thru an all stainless steel waterway. Seat rubber and all operational components shall be serviceable / replaceable from above ground with no digging or excavation needed.

A secondary valve (stainless steel petcock) shall be located on the evacuation line, independent of the sampling bibb and when open shall allow for evacuation of any water remaining inside the station, via pump or compressed air blow off, to prevent freezing.

The station shall be model #88-SS as manufactured by The Kupferle Foundry, St. Louis MO. 63102 or approved equal.

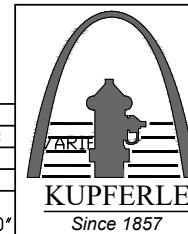
Notes:

- 1.) If the color shall be any color other than green, check with the manufacturer for color options, and specify accordingly.
- 2.) When installed on or with concrete, Kupferle recommends the use of a gasket or barrier between the enclosure and the concrete surface. when purchasing the station, if concrete install is specified on the order Kupferle will provide said gasket. the enclosure clamp on the bottom of the enclosure base will fit inside a 4" pvc pipe.
- 3.) Prolonged exposure to strong chlorides which can be present in concrete, cleaning agents, and sometime even potable water can lead to possible enclosure corrosion. regular maintenance and drying the station after use are the best methods for optimal station longevity.
- 4.) In corrosive solids the buried pipe should be prepped for additional resistance to corrosion. kupferle recommends spraying all underground piping and fittings with bituminous spray tar, allowing proper time to dry, and then wrapping the parts.
- 5.) Some sites, typically at higher pressures, turbulent flow can cause station vibration. Should this occur after installation, please contact manufacturer for remediation.

DATE	ISSUED FOR ...	STATUS / REVISION

88-SS SAMPLING STATION

	INITIALS	DATE
DRAWN	KJW	1/23/23
APPROVED	DCL	1/24/23
MODIFIED		
SHEET SIZE:	A	SCALE: 3/4"=1'-0"



2511 NORTH 9TH STREET
ST. LOUIS, MO 63102
1-800-231-3990
FAX 314-231-2820
www.hydrants.com