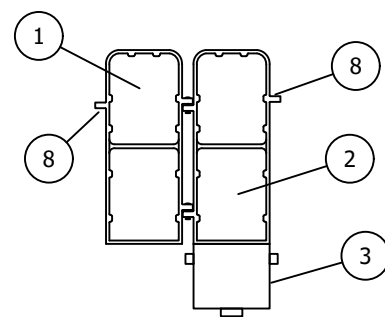
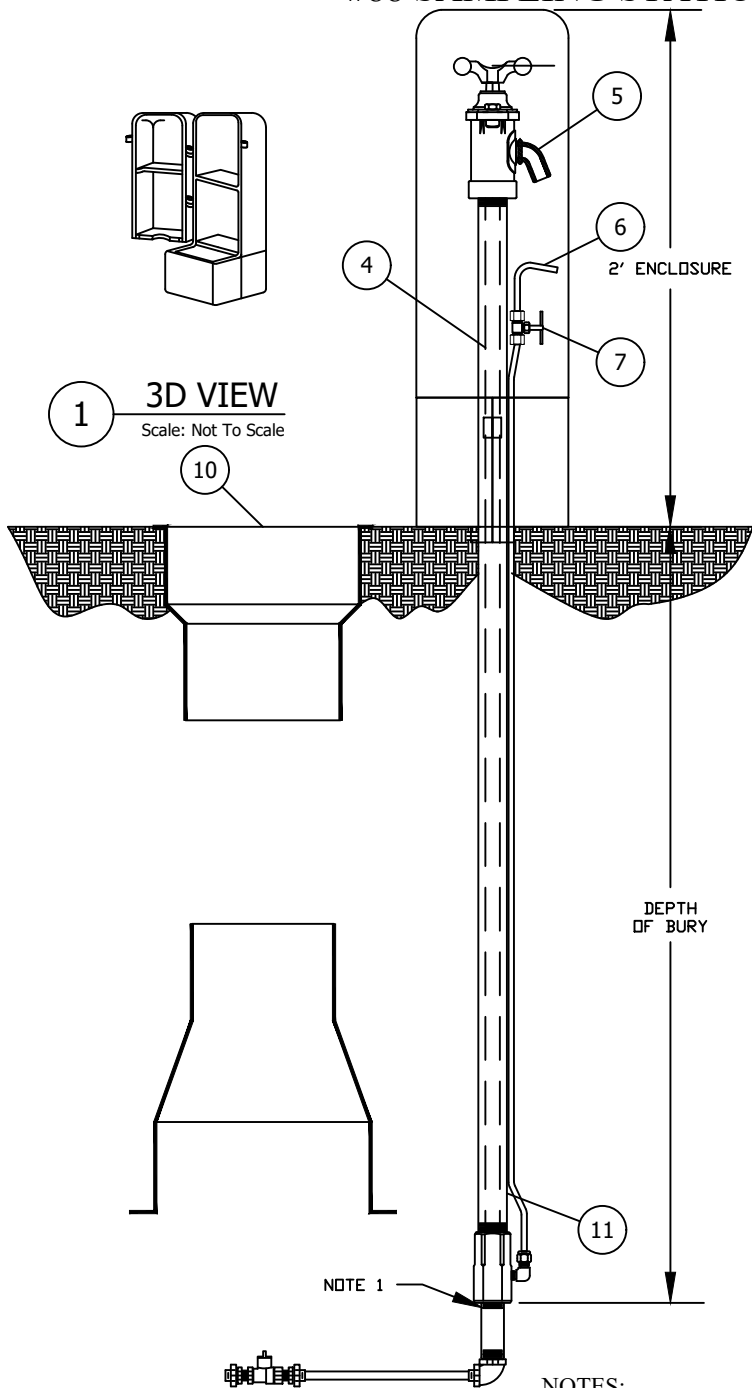


#88 SAMPLING STATION SPEC SHEET



1 3D VIEW
Scale: Not To Scale

2 ENCLOSURE OPEN VIEW
Scale: 3/4"=1'-0"

SAMPLING STATION SHALL BE _____' BURY, WITH A 3/4" FIP INLET, AND 1/2" UNTHREADED BLOW OFF AND SAMPLING BIBB.

STATION SHALL BE ENCLOSED IN A LOCKABLE, NON-REMOVABLE ALUMINUM BOX WITH HINGED OPENINGS.

WHEN OPEN, THE STATION SHALL REQUIRE NO KEY FOR OPERATION, AND ALL WATER FLOW SHALL PASS THRU AN ALL STAINLESS STEEL WATERWAY.

ALL WORKING PARTS SHALL BE SERVICABLE FROM ABOVE GROUND WITH NO DIGGING OR REPLACEMENT NEEDED.

A PET COCK WILL BE LOCATED BELOW THE SAMPLING BIBB TO ALLOW PUMPING OF ANY WATER REMAINING INSIDE THE STATION TO INSURE NON-FREEZING.

THE STATION SHALL BE MODEL #88 AS MANUFACTURED BY THE KUPFERLE FOUNDRY, ST. LOUIS MO. 63102 OR APPROVED EQUAL.

#88 SAMPLING STATION TO BE INSTALLED AT THE FOLLOWING LOCATIONS:

NOTE 1

NOTES:

ITEM	ITEM / DESCRIPTION	NOTES
1	88 FRONT DOOR (COVER A)	
2	88 REAR DOOR (COVER B)	
3	88 BASE	2 PIECES
4	3/8" S.S. WATERWAY	
5	BLOW OFF & SAMPLING BIBB	
6	1/4" COPPER TUBING	
7	PET COCK	
8	LOCKING HOLE	
9	NOT USED	
10	VALVE BOX	BY OTHERS
11	3/4" S.S. NIPPLE	BY OTHERS

1.) IN CORROSIVE SOILS THE BURIED PIPE SHOULD BE PREPPED FOR ADDITIONAL RESISTANCE TO CORROSION. KUPFERLE RECOMMENDS SPRAYING ALL UNDERGROUND PIPING AND FITTINGS WITH BITUMINOUS SPRAY TAR, ALLOWING PROPER TIME TO DRY, AND THEN WRAPPING THE PARTS

DD/MM/YY	ISSUED FOR REFERENCE	#88 SAMPLING STATION
DATE	STATUS / REVISION	

	INITIALS	DATE
DRAWN	BAM	4/29/15
APPROVED	DCL	4/29/15
MODIFIED		

SCALE
1-1/2"=1'



2511 NORTH 9TH STREET
ST. LOUIS, MO 63102
1-800-231-3990
FAX 314-231-2820
www.hydrants.com