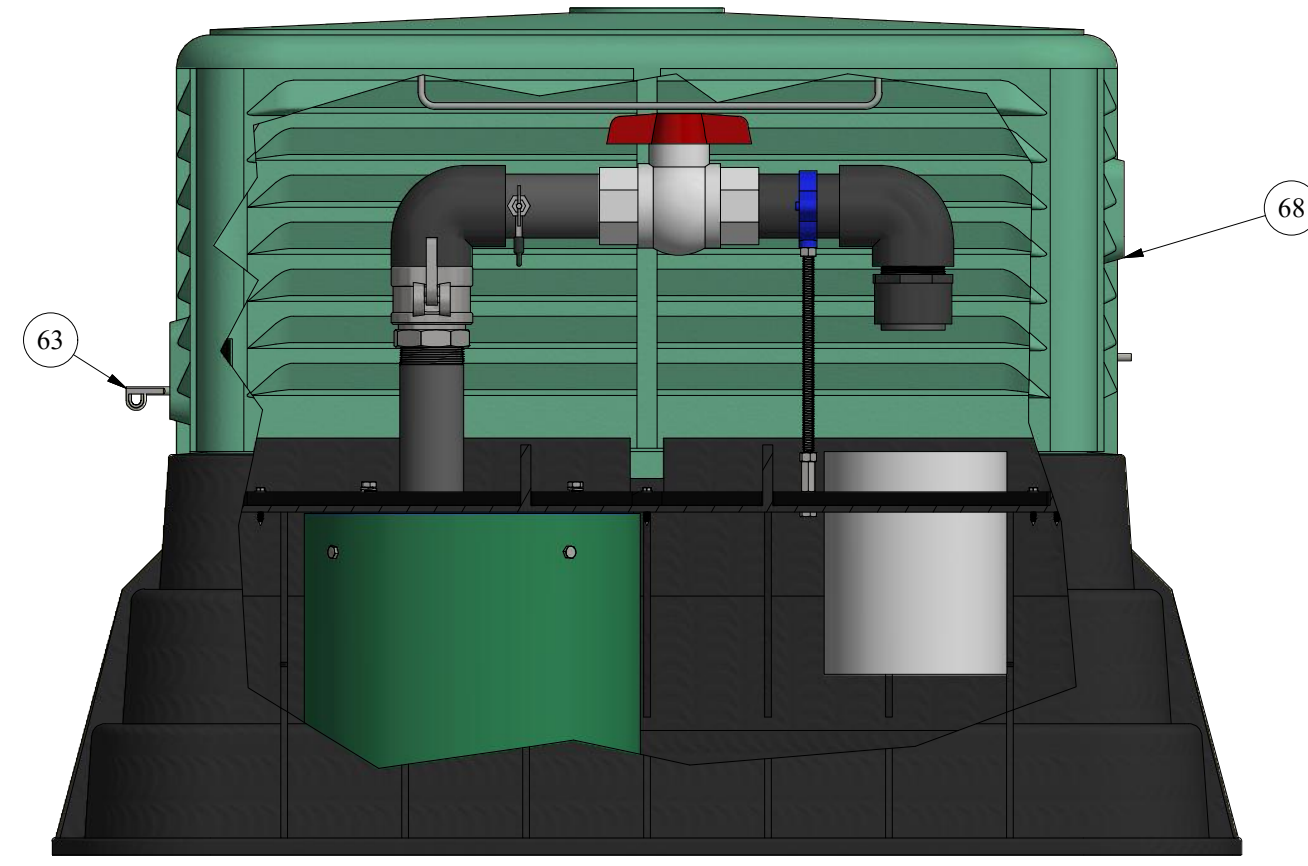


PATENTED

9800 CUT SHEET

PARTS LIST

ITEM	QTY	PART NUMBER	DESCRIPTION	NOTES
1	1	1/4 X 1/8SHB	1/4" x 1/8" S.S. HEX BUSHING	
2	6	10805	BOLT FOR VALVE CYLINDER BRACKET	
3	29.250 in	2PVC	2" SCH. 80 PVC PIPE	B
4	1	2QD-ASS	2" S.S. "A" QUICK DISCONNECT	C
5	1	2QD-BSS	2" S.S. "B" QUICK DISCONNECT	
6	1	344-B	BOLT FOR THREADED ROD ASSEMBLY	
7	6	345-N-9400	1/4" S.S. NUT	
8	1	346-N-9400	CONTROLLER BRACKET NUT	
9	1	346-S	CONTROLLER SCREW	
10	1	66S01	PETCOCK BODY	
11	1	66S02	PETCOCK NUT	
12	1	66S03	PETCOCK PLUNGER	
13	1	66S04	HANDLE PIN	
14	1	66S05	PETCOCK NOZZLE	
15	1	66S08	O-RING (PETCOCK PACKING NUT)	
16	1	66S10	O-RING (PETCOCK STEM)	
17	1	66S22	PETCOCK CAP	C
18	6	77Q-9400	S.S. THREADED NUT	
19	32.000 in	9401	BARREL PROTECTOR (12" PIPE)	B
20	1	9405	VALVE PISTON	
21	1	9406	2" SCH. 80 PVC COUPLING	
22	1	9407	2" SCH. 80 PVC ADAPTER	
23	4	9419	1/4" S.S. WASHER	
24	1	9420-O	ACCESS PLATE (REMOVABLE)	
25	3	9421	VALVE PISTON O-RING	C
26	1	9428-O	ACCESS PLATE (BASE)	
27	1	9430-L	VALVE CYLINDER BRACKET - LONG	
28	1	9430-S	VALVE CYLINDER BRACKET - SHORT	
29	1	9431	CONTROLLER HOLDER COVER	C
30	1	9433	SOLENOID COVER	C
31	1	9434	CONTROLLER COVER BUTTON	C
32	5	9438	1/4" BOLT FOR BASE TO PLATFORM	
33	2	9444	CAPS FOR REMOVABLE ACCESS PLATE	C
34	1	9446	2 x 1 IN BUSHING FOR AUTODRAIN	
35	1	9447	2" SCH. 80 PVC TEE	
36	1	9448	AUTO DRAIN	
37	1	9449	SPRING FOR 3" OR LESS D.O.B.	A.C
38	2	9451	HINGE CLAMP	
39	4	9452	HINGE CLAMP SCREW	
40	8	9453	5/16" BOLT FOR ACCESS PLATE	
41	1	9455	CHAIN FOR CONTROLLER	C
42	1	9456	CONTROLLER HOLDER	C
43	2	9457	3/8-16 S.S. LOCK NUT	
44	4	9458	1/4" S.S. LOCK WASHER	
45	4	9460	3/8" S.S. WASHER	
46	5	9461	3/8" S.S. LOCK WASHER	
47	2	9464	S.S. "S" HOOK	
48	8	9465	5/16" S.S. LOCK WASHER	
49	1	9476	VALVE CYLINDER	C
50	1	9515	2" ICV VALVE	C
51	1	9517	VALVE CONTROLLER	
52	1	9518	9 VOLT BATTERY	
53	1	9800	FLOOR FOR 9800	C
54	1	9802	6" SCH. 40 PVC COUPLING	
55	0.5	9803	6" SCH. 35 PVC SEWER PIPE	A
56	2	9804	2" SCH. 80 PVC 90° GLOBE x THREAD	
57	1	9805	2" PIPE CLAMP	C
58	8	9806	3/8" S.S. THREADED ROD	
59	1	9807	METAL STANDOFF BASE	C
60	1	9808	2" SCH. 40 PVC BALL VALVE	
61	1	9809	DEBRIS PLATE	C
62	10	9810	FLOOR SCREW	
63	1	9812	KEY FOR DOGHOUSE	C
64	8.000 in	9814	2" SCH. 80 PVC PIPE w/ THREADS	
65	1	9821	S.S. SCREW FOR 9805 CLAMP	C
66	1.500 in	9830	STREAM SHAPER	
67	1	9831	S.S. COUPLING NUT	
68	1	DOGHOUSE	UV RESISTANT ENCLOSURE	C
69	1	HV458200	SOLENOID	A



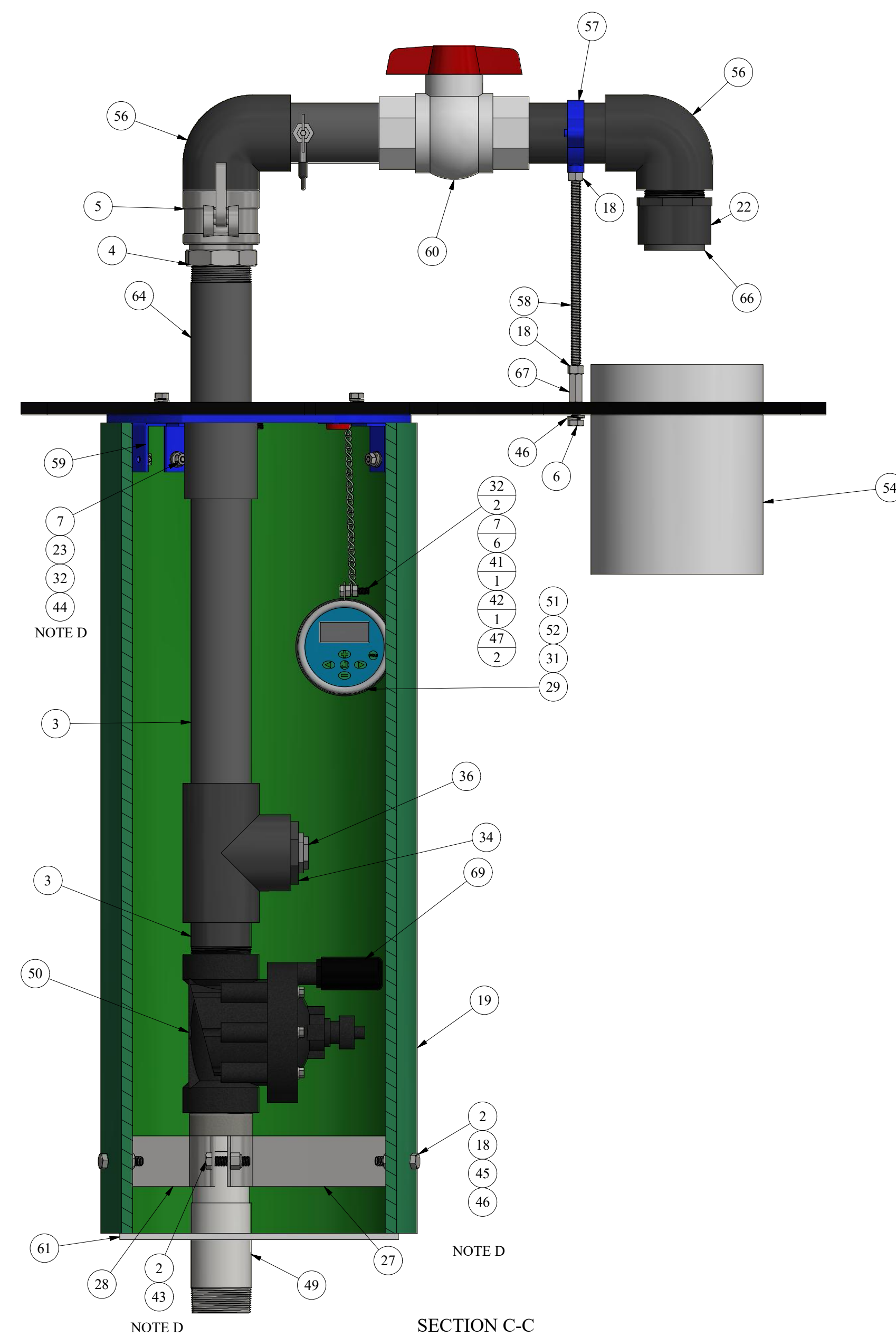
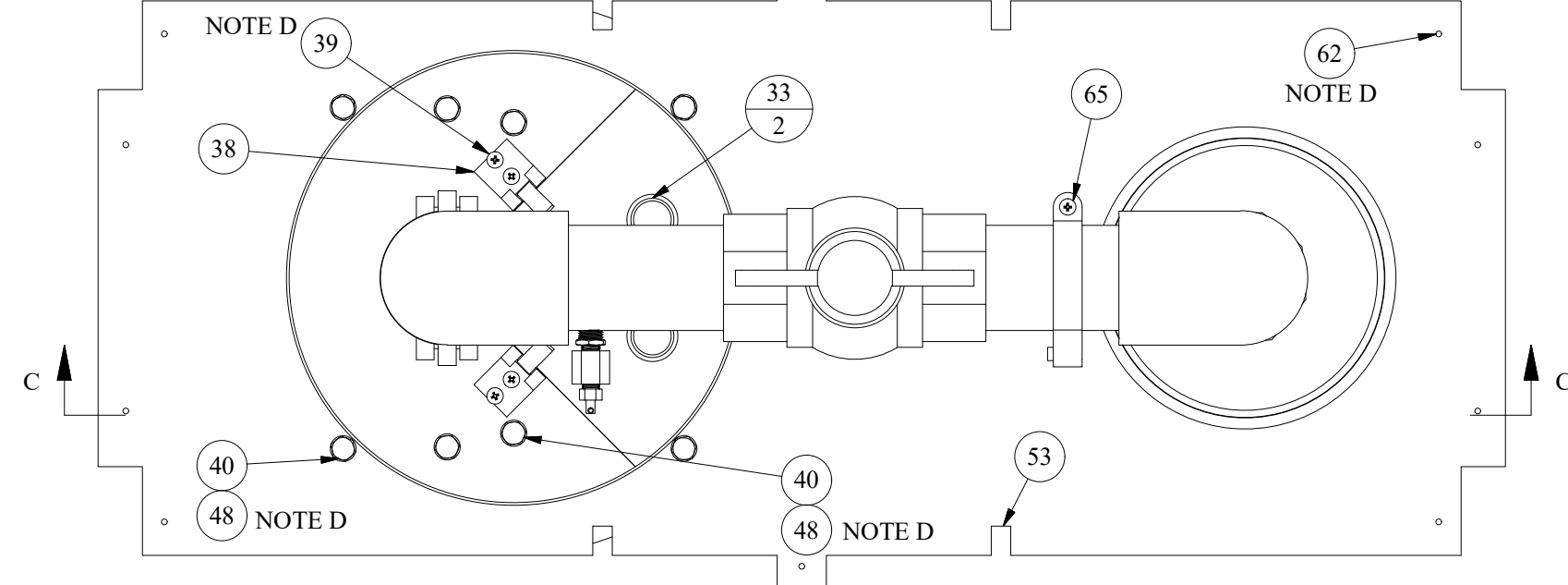
UV RESISTANT ENCLOSURE
(NOT TO SCALE)

PGV REPAIR PARTS LIST (12 BOLTS)

*	0	9516	2" PGV VALVE	C
*		HV414200	9516 VALVE SPRING	A.C
*		HV414600	9516 FLOW CONTROL ASSEMBLY	A.C
*		HV414800	9516 DIAPHRAGM SUPPORT	A.C
*		HV415400	9516 VALVE PLUG O-RING	A.C
*		HV415500	9516 BONNET	A.C
*		HV415600	9516 DIAPHRAGM ASSEMBLY	A.C
*		HV419300	9516 BODY PLUG	A.C
*		HV433300	9516 VALVE BODY	A.C
*		HV472800	9516 BONNET SCREW	A.C
*		HV561200	9516 FLOW CONTROL KNOB	A.C
*		HV561500	9515/9516 BLEED SCREW ASSEMBLY	A.C

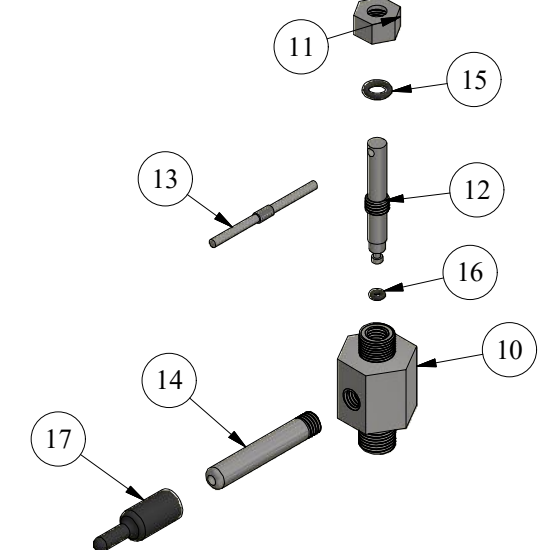
REPAIR KITS

PART NUMBER	DESCRIPTION	PARTS INCLUDED
X66-PETCOCK	S.S. PETCOCK ASSEMBLY	66S01 BODY (1), 66S08 O-RING (1), 66S02 NUT (1), 66S03 O-RING (1), 66S04 PIN (1), 66S05 NOZZLE (1), 66S22 CAP (1)
X9400-AUTO DRAIN	AUTO DRAIN ASSEMBLY FOR 3" D.O.B. OR LESS	9447 TEE (1), 9446 BUSHING (1), 9448 AUTO DRAIN (1), 9449 SPRING (1), 2PVC (1)
X9405	VALVE PISTON WITH O-RINGS	9405 PISTON (1), 9421 O-RING (3)
X9420-O	REMOVABLE ACCESS PLATE W/ CAPS	9420-O ACCESS PLATE REMOVABLE (1), 9444 CAPS (2)
X9428-O	ACCESS PLATE BASE COMPLETE	9428-O ACCESS PLATE BASE (1), 9451 HINGE CLAMP (2), 9452 SCREW (4)
X9448-49	AUTO DRAIN 3" D.O.B. OR LESS	9448 AUTO DRAIN (1), 9449 SPRING (1)
X9448-50	AUTO DRAIN 3.5" - 6" D.O.B.	9448 AUTO DRAIN (1), 9450 SPRING (1)
X9448-54	AUTO DRAIN 6.5" + D.O.B.	9448 AUTO DRAIN (1), 9454 SPRING (1)
X9517-BG	CONTROLLER WITH BATTERY FOR 9400 OR 9800	9517 CONTROLLER (1), 9518 BATTERY (2), 9434 COVER (1), 9412 WIRE CONNECTOR (2), 9414 WIRE RECEPTACLE (1)
X9800-AERATOR	9800 AERATOR ASSEMBLY	9407 PVC ADAPTOR (1), 9830 STREAM SHAPER (1)
X9800-ACC PLATE	ACCESS PLATE COMPLETE	9420-O ACCESS PLATE REMOVABLE (1), 9444 CAPS (2), 9428-O ACCESS PLATE BASE (1), 9451 HINGE CLAMP (2), 9452 SCREW (4), 9453 BOLT (2), 9465 LOCK WASHER (2), 346-S-9400 SCREW (1), 346-N-9400 NUT (1)
X9800-LOWER-#	BELOW GRADE ASSEMBLY (EACH 6" D.O.B 4' OR GREATER)	2PVC SCH 80 PIPE (1.75), 9814 2" PVC PIPE W/ THREADS (1), 9406 PVC COUPLING (1), 9447 TEE FOR AUTO DRAIN (1), 9446 BUSHING FOR AUTO DRAIN (1), 9448 AUTO DRAIN (1), 9515 ICV VALVE (1), 9405 VALVE PISTON (1), 9421 VALVE PISTON O-RING (3), 9449 SPRING (1), 2PVC UNION (1)
X9800-LOWER-3'	BELOW GRADE ASSEMBLY (3' BURY OR LESS)	2PVC SCH 80 PIPE (1.75), 9814 2" PVC PIPE W/ THREADS (1), 9406 PVC COUPLING (1), 9447 TEE FOR AUTO DRAIN (1), 9446 BUSHING FOR AUTO DRAIN (1), 9448 AUTO DRAIN (1), 9515 ICV VALVE (1), 9405 VALVE PISTON (1), 9421 VALVE PISTON O-RING (3), 9449 SPRING (1)
X9800-UP-PVC	9800 UPPER ASSEMBLY COMPLETE	2QD-BSS QUICK DISCONNECT (1), 9804 ELBOW (2), 2PVC PIPE (1FT), 1/4 x 1/8SHB HEX BUSHING (1), X66-PETCOCK (1), 9808 VALVE (1), 9407 PVC ADAPTOR (1) 9830 STREAM SHAPER (1)
X380600	9515 BONNET COMPLETE	HV380600 BONNET (1), HV561200 KNOB (1), HV561500 BLEED SCREW (1), HV371600 E-CLIP (1), HV560800 FLOW CONTROL (1)
X458200	SOLENOID WITH CONNECTORS (SPECIFY DEPTH OF BURY)	HV458200 SOLENOID (1), 9411 WIRE PINS (2), 9413 RECEPTACLE (1), 9415 RED WIRE (SPECIFY D.O.B), 9416 BLACK WIRE (SPECIFY D.O.B), 9417 BUTT SPLICE (2), 9418 HEAT SHRINK (.25), 9445 HEAT SHRINK (0.25)
Z9800-BLUETOOTH	9800 BLUETOOTH KIT	9530 CONTROLLER (1), CONTROLLER HOLDER (1), 77Q-9400 NUT (2), 9460 WASHER (2), 9414 WIRE RECEPTACLE (1), 9412 WIRE CONNECTOR (2), 9531 BATTERY FOR BLUETOOTH (2)

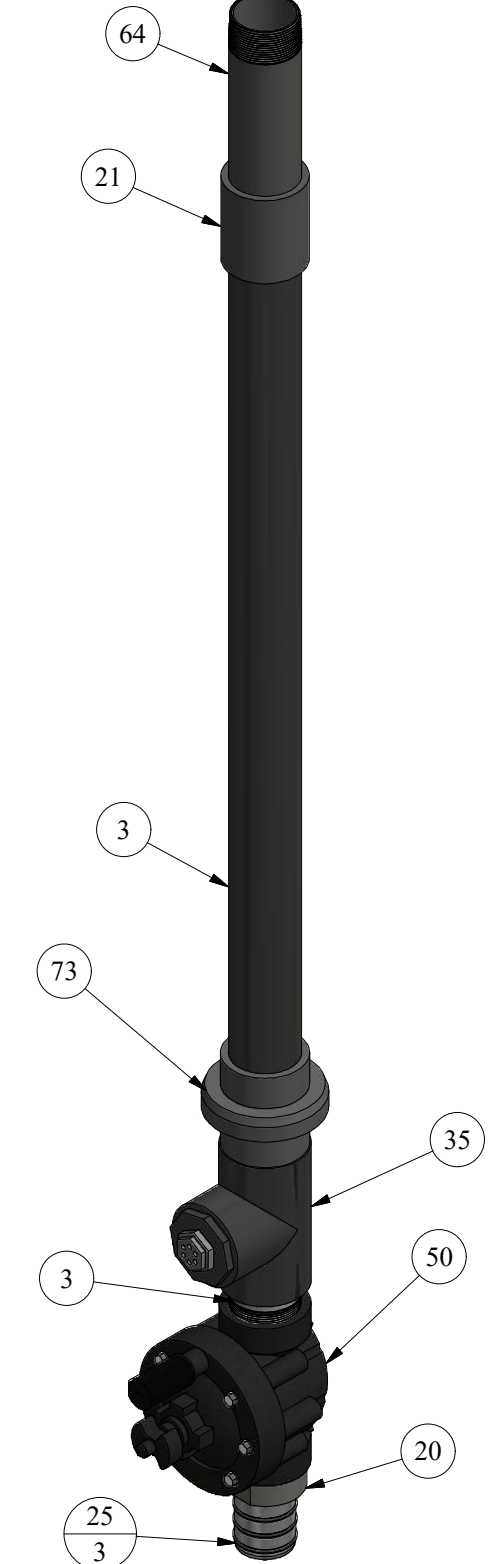


SECTION C-C
SCALE 1 / 4

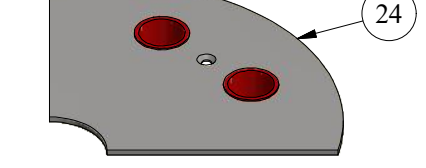
PETCOCK ASSEMBLY



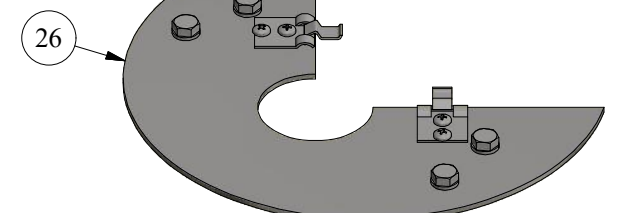
X9800-LOWER-# ASSEMBLY



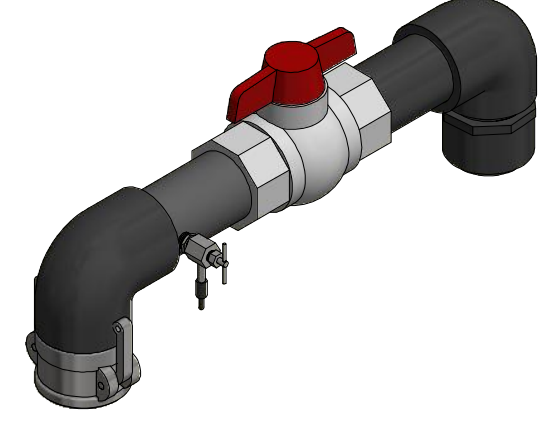
X9420-O ASSEMBLY



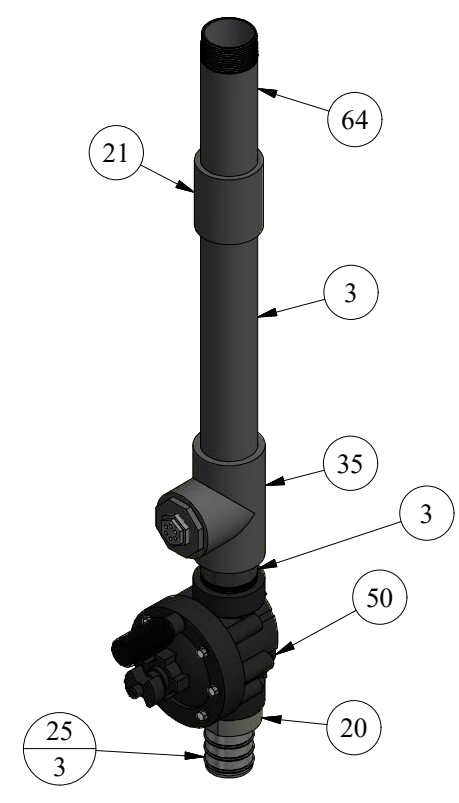
X9428-O ASSEMBLY



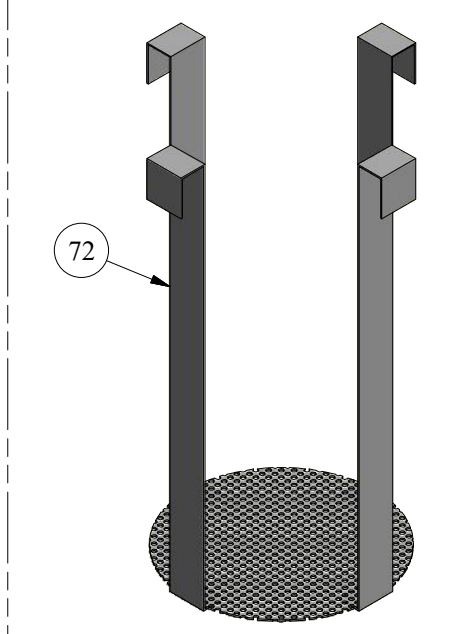
X9800-UP-PVC ASSEMBLY



X9800-LOWER-3' ASSEMBLY



OPTIONAL 9815 DECHLORE BASKET



LEGEND

- (X) → STANDARD TAG
- (X/Y) → TAG WITH Y QUANTITY

DRAWN	SMS	4/17/2017
CHECKED	DCL	5/23/2017
MODIFIED	KJW	05/26/2021
SIZE	SCALE	
D	1 / 4	
DWG NO	#9800 Cut_Rev4	

KUPFERLE
Since 1857
2511 NORTH 9TH ST.
ST. LOUIS, MO 63102
1-800-231-3990

SHEET 1 OF 1
REV 4

DISCLAIMER
THIS DRAWING IS THE PROPERTY OF THE KUPFERLE FOUNDRY COMPANY. IT IS NOT TO BE USED OR DUPLICATED WITHOUT THE PERMISSION OF THE OWNER