

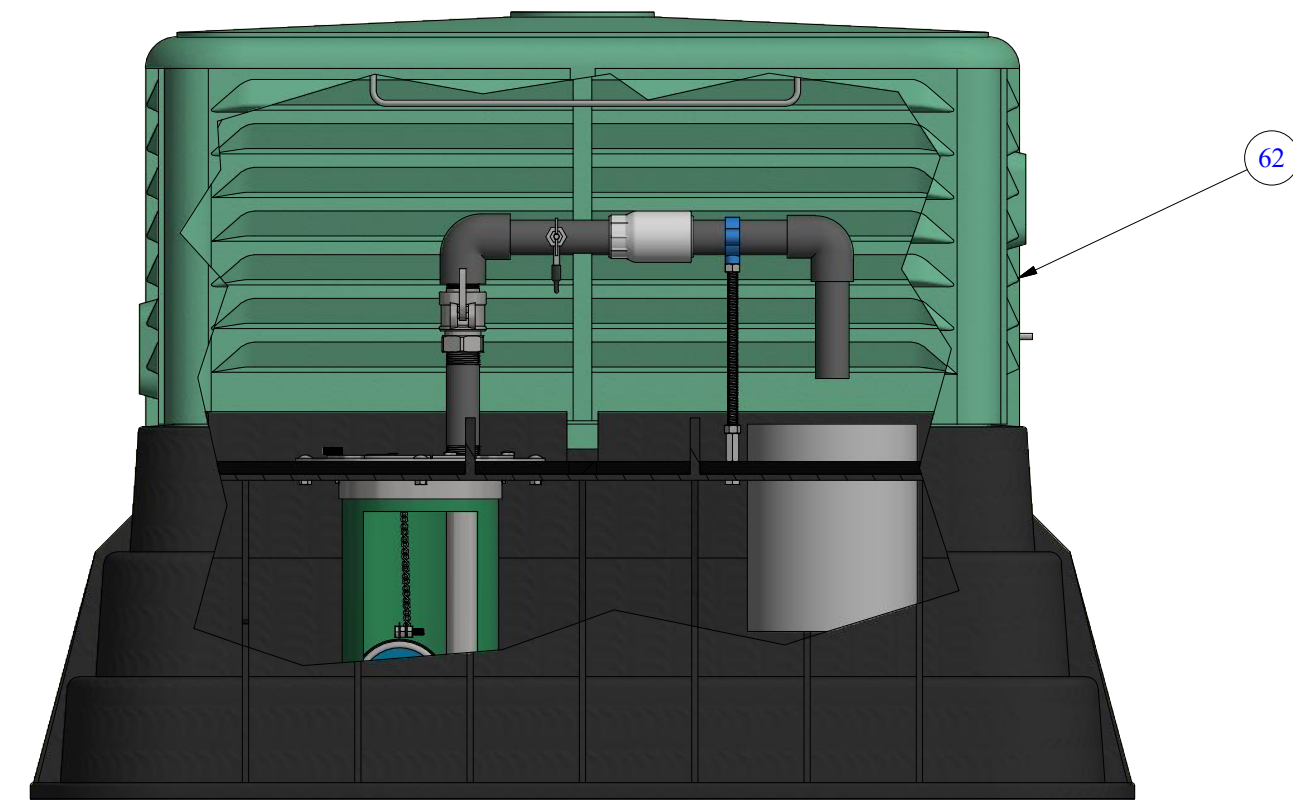
PATENTED

9800A CUT SHEET

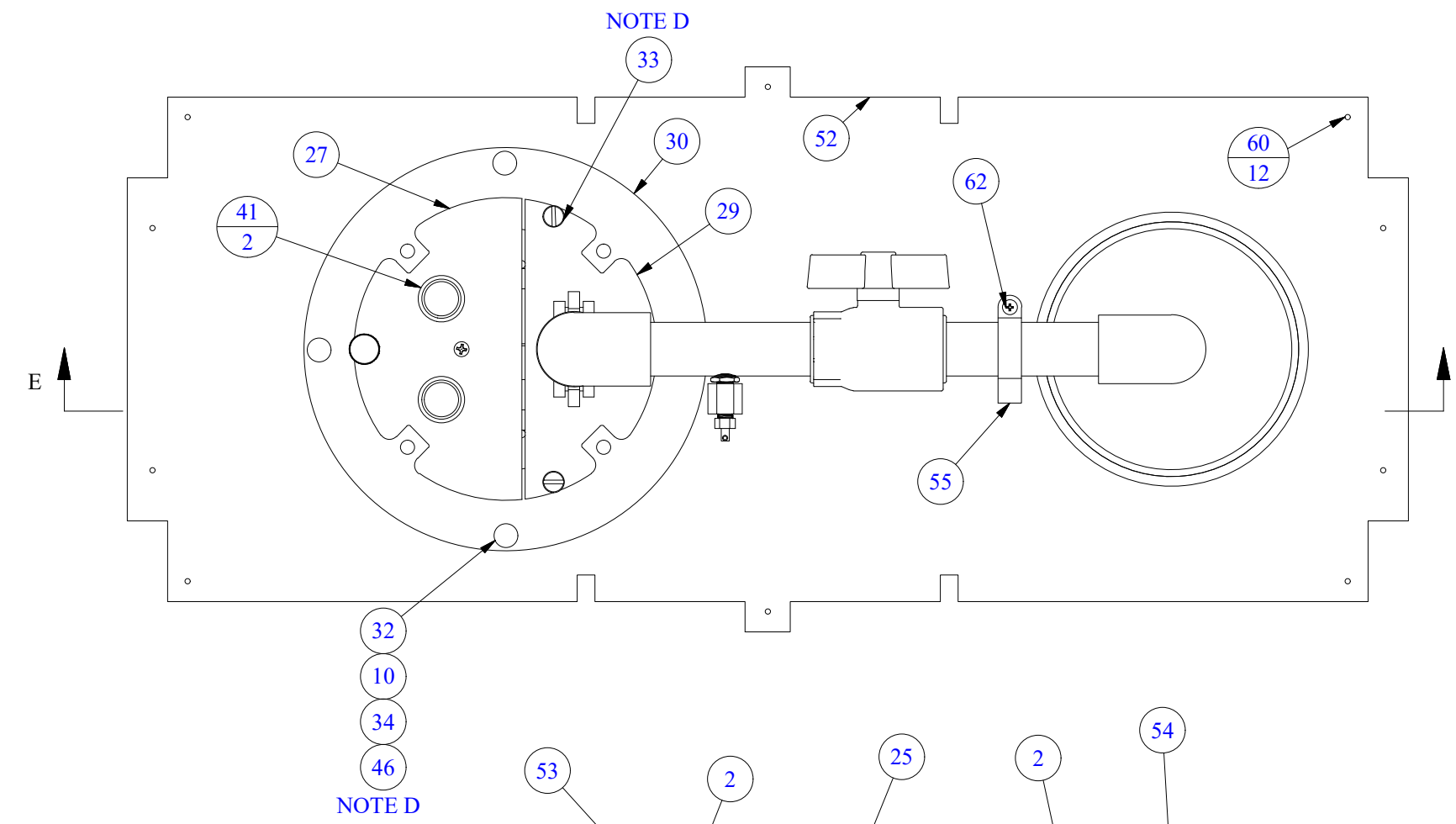
PARTS LIST				
ITEM	QTY	PART NUMBER	DESCRIPTION	NOTES
1	1	1/4 X 1/8SHB	1/4" x 1/8" S.S. HEX BUSHING	
2	21.750 in	1PVC	1" SCH. 80 PVC PIPE	
3	1	1QD-ASS	1" S.S. "A" QUICK DISCONNECT	C
4	1	1QD-BSS	1" S.S. "B" QUICK DISCONNECT	C
5	1	1SSC	1" S.S. COUPLING	
6	1	1SSCN	1" S.S. CLOSE NIPPLE	
7	24.500 in	1SSP	1" S.S. PIPE	B
8	1	1SST	1" S.S. TEE	
9	1	344-B	COUPLING NUT BOLT	
10	6	345-N-9400	1/4" S.S. NUT	
11	1	346-N-9400	CONTROLLER BRACKET NUT	
12	1	346-S	CONTROLLER SCREW	
13	1	66S01	PETCOCK BODY	
14	1	66S02	PETCOCK NUT	
15	1	66S03	PETCOCK PLUNGER	
16	1	66S04	HANDLE PIN	
17	1	66S05	PETCOCK NOZZLE	
18	1	66S08	O-RING (PETCOCK PACKING NUT)	
19	1	66S10	O-RING (PETCOCK STEM)	
20	1	66S22	PETCOCK CAP	
21	2	77Q-9400	S.S. THREADED NUT	
22	1	9400A-05	1" AUTOMATIC PISTON	
23	1	9400A-06	1" VALVE CYLINDER	C
24	2	9400A-07	VALVE CYLINDER BOLT	
25	1	9400A-09	1" SCH. 40 PVC BALL VALVE	
26	8	9400A-11	DEBRIS PLATE SCREW	
27	1	9400A-20	REMOVABLE PLATE	C
28	3	9400A-21	O-RING FOR 1" VALVE PISTON	C
29	1	9400A-28	SOLID ACCESS PLATE	C
30	1	9400A-29	TOP PLATE BASE ASSEMBLY	
31	1	9400A-30	DEBRIS PLATE / 1" CYLINDER HOLDER	C
32	4	9400A-38	BOLT FOR TOP BASE PLATE MOUNT	
33	3	9400A-53	SCREW FOR ACCESS PLATE	
34	4	9419	FLAT WASHER	
35	1	9431	CONTROLLER HOLDER COVER	A,C
36	1	9431	CONTROLLER HOLDER COVER	
37	1	9433	SOLENOID COVER	A,C
38	1	9434	CONTROLLER COVER BUTTON	
39	1	9434	CONTROLLER COVER BUTTON	A,C
40	1	9438	BOLT FOR CONTROLLER MOUNT	
41	2	9444	CAPS FOR REMOVABLE ACCESS PLATE	C
42	1	9448	AUTO DRAIN	
43	1	9449	SPRING FOR 3' BURY OR LESS	C
44	1	9455	CHAIN FOR CONTROLLER	C
45	1	9456	CONTROLLER HOLDER	C
46	4	9458	1/4" S.S. LOCK WASHER	
47	1	9461	3/8" S.S. LOCK WASHER	
48	2	9464	S.S. "S" HOOK	
49	1	9517	VALVE CONTROLLER	
50	1	9518	9 Volt Battery	
51	1	9520	1" PGV VALVE	C
52	1	9800A-00	FLOOR FOR 9800A	
53	1	9800A-02	1" SCH. 80 PVC ELBOW (GLUE x THREAD)	
54	1	9800A-04	1" SCH. 80 PVC ELBOW (GLUE x GLUE)	
55	1	9800A-05	1" PIPE CLAMP	C
56	1	9800A-06	KNOB FOR ACCESS PLATE	C
57	1	9802	6" SCH. 40 PVC COUPLING	
58	40.500 in	9803	6" SCH. 35 PVC SEWER PIPE	A,B
59	7.875 in	9806	3/8" S.S. THREADED ROD	
60	12	9810	FLOOR SCREW	
61	1	9812	KEY FOR DOG HOUSE	A,C
62	1	9821	S.S. SCREW FOR 9800A-05 CLAMP	C
63	1	9831	S.S. COUPLING NUT	
64	1	DOGHOUSE	UV RESISTANT ENCLOSURE	C
65	1	HV458200	SOLENOID	

OPTIONAL/ REPAIR PARTS LIST				
ITEM	QTY	PART NUMBER	DESCRIPTION	NOTES
66	0	9450	SPRING FOR AUTO DRAIN 3.5' - 6' BURY	A,C
67	0	9454	SPRING FOR AUTO DRIAN 6.5+ BURY	A,C
68	0	9815	DECHLORINATION BASKET	C

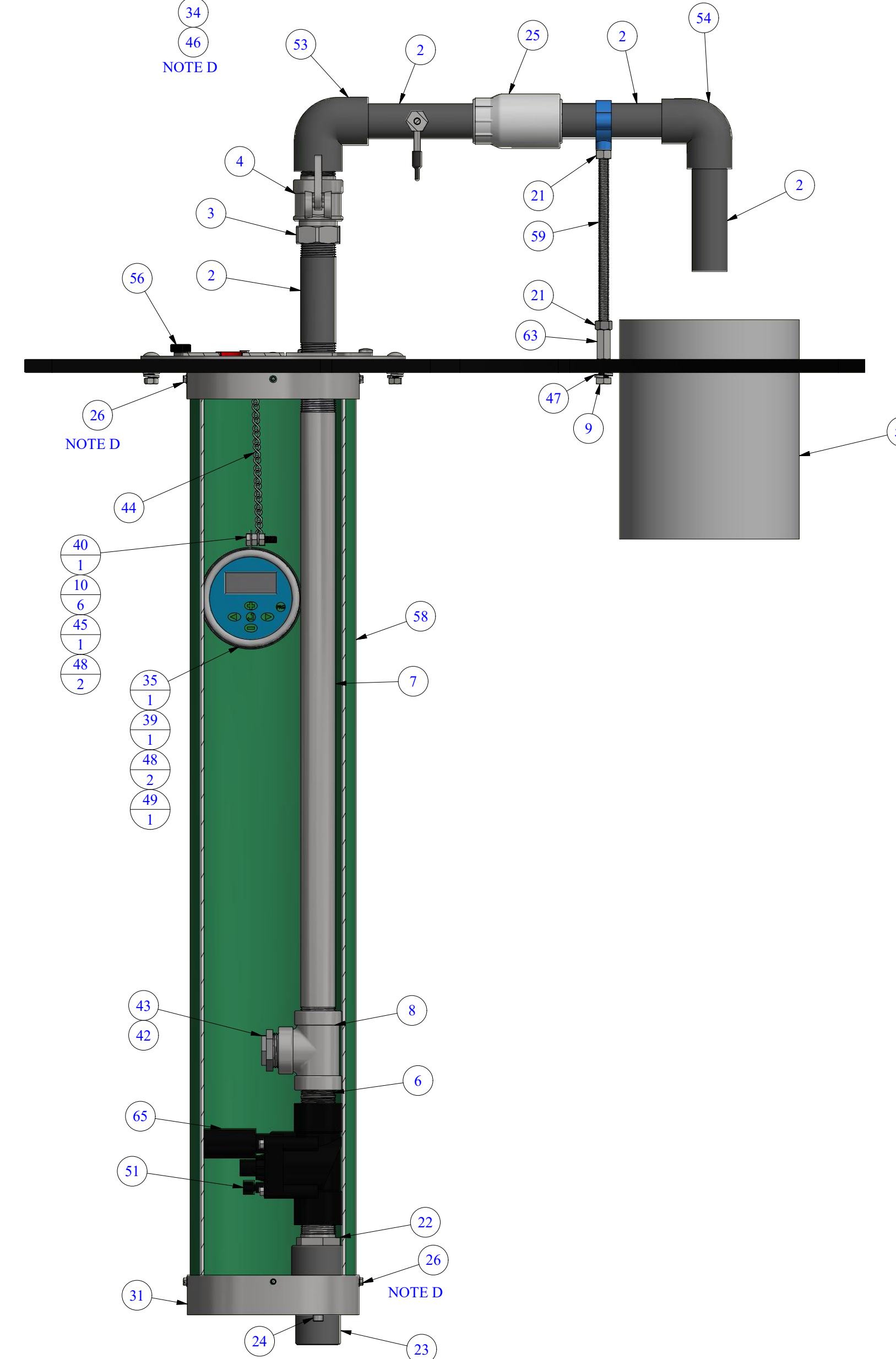
NOTE	DESCRIPTION
A	NOT SHOWN
B	PIPE LENGTH DEPENDENT ON DEPTH OF BURY, SHOWN AS 3' DOB
C	SOLD AS REPLACEMENT PART
D	BOLT ASSEMBLY USED ON ALL SIMILAR HOLES/BRACKETS



UV RESISTANT ENCLOSURE
(NOT TO SCALE)

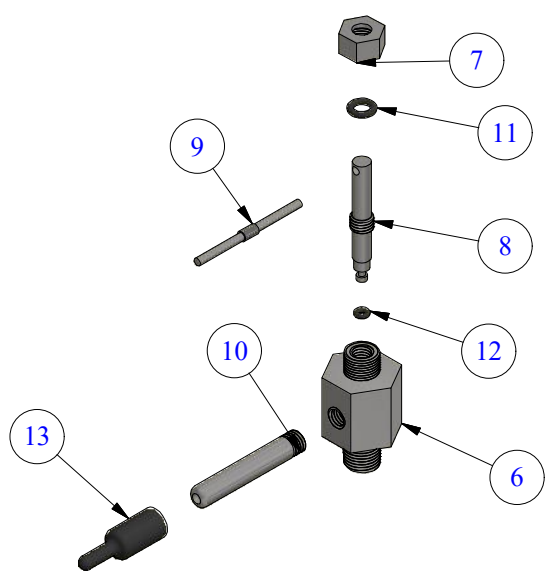


REPAIR KITS			
PART NUMBER	DESCRIPTION	PARTS INCLUDED	NOTES
X458200	SOLENOID WITH CONNECTORS (SPECIFY DEPTH OF BURY)	HV458200 SOLENOID (1), 9411 WIRE PINS (2), 9413 WIRE PLUG (1), 9415 RED WIRE (SPECIFY D.O.B.), 9416 BLACK WIRE (SPECIFY D.O.B.), 9417 BUTT SPLICERS (2), 9418 HEAT SHRINK (2), 9445 HEAT SHRINK (2.11)	
X66-PETCOCK	STAINLESS STEEL PETCOCK ASSEMBLY	66S01 PETCOCK BODY (1), 66S02 PETCOCK NUT (1), 66S03 PLUNGER (1), 66S04 NOZZLE (1), 66S05 HANDLE (1), 66S22 CAP (1)	
X9400A-05	VALVE PISTON WITH O-RINGS	9400A-05 PISTON (1), 9400A-21 O-RING (3)	
X9448-49	AUTODRAIN FOR 3' BURY OR LESS	9448 AUTO DRAIN (1), 9449 SPRING (1)	
X9448-50	AUTO DRAIN FOR 3.5' - 6' BURY	9448 AUTO DRAIN (1), 9450 SPRING (1)	
X9448-54	AUTO DRAIN FOR 6.5' BURY OR MORE	9448 AUTO DRAIN (1), 9454 SPRING (1)	
X9517-BG	CONTROLLER WITH BATTERY (COLD CLIMATE, CONTROLLER ONLY)	9517 CONTROLLER (1), 9518 BATTERY (2), 9434 COVER (1), 9412 WIRE CONNECTORS (2), 9414 WIRE RECEPTACLE (1)	
X9800A-LOWER-#	BELOW GRADE ASSEMBLY (EACH 6" D.O.B >3')	ADDITIONAL LENGTH ON X9800A-LOWER-3'	
X9800A-LOWER-3'	BELOW GRADE ASSEMBLY (3' BURY OR LESS)	9400A-21 O-RING (3), 9400A-05 VALVE PISTON (1), 9520 1" PGV VALVE (1), 1SSCN 1" NIPPLE (1), 1SST TEE (1), 9448 AUTO DRAIN (1), 9449 SPRING (1), 1SSP 1" S.S. PIPE (2.05), 1SSC COUPLING (1), 1PVC 1" SCH.80 PVC PIPE (0.75)	DOES NOT INCLUDE CONTROLLER, SOLENOID, ACCESS PLATE, OR QUICK DISCONNECT
X9800A-UP-PVC	9800A UPPER ASSEMBLY COMPLETE	9800A-02 ELBOW (1), 9800A-04 ELBOW (1), 1PVC PIPE (1.25), 9400A-09 BALL VALVE (1), 1/4 X 1/2SHB BUSHING (1), 9824 Elbow (1) 1PVC pipe (0.25) 1QD-BSS QUICK DISCONNECT (1)	
Z9800-BLUE TOOTH	9800 BLUETOOTH KIT	9530 CONTROLLER (1), HUNTER CONTROLLER HOLDER (1), 77Q-9400 NUT (2), 9460 WASHER (2), 9414 WIRE RECEPTACLE (1), 9412 WIRE CONNECTOR (2), 9531 BATTERY FOR BLUETOOTH (2)	

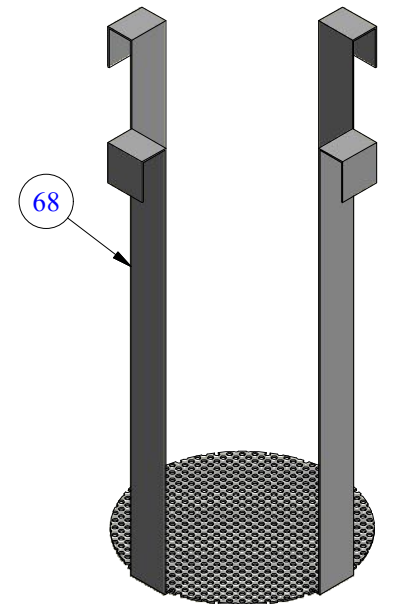


SECTION E-E
SCALE 1/4

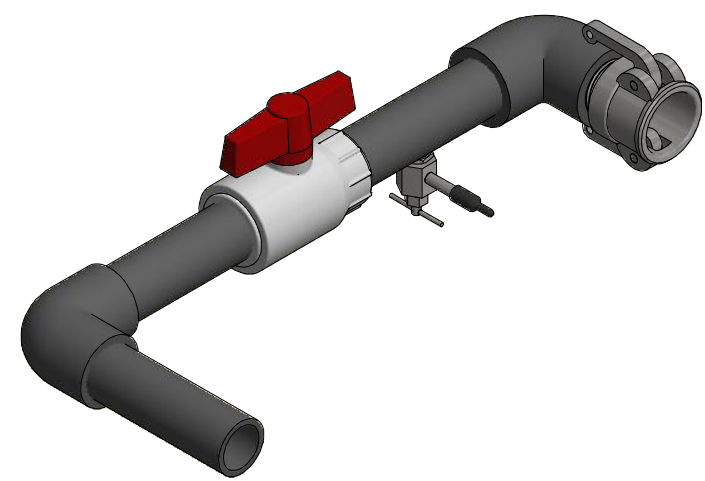
PETCOCK ASSEMBLY



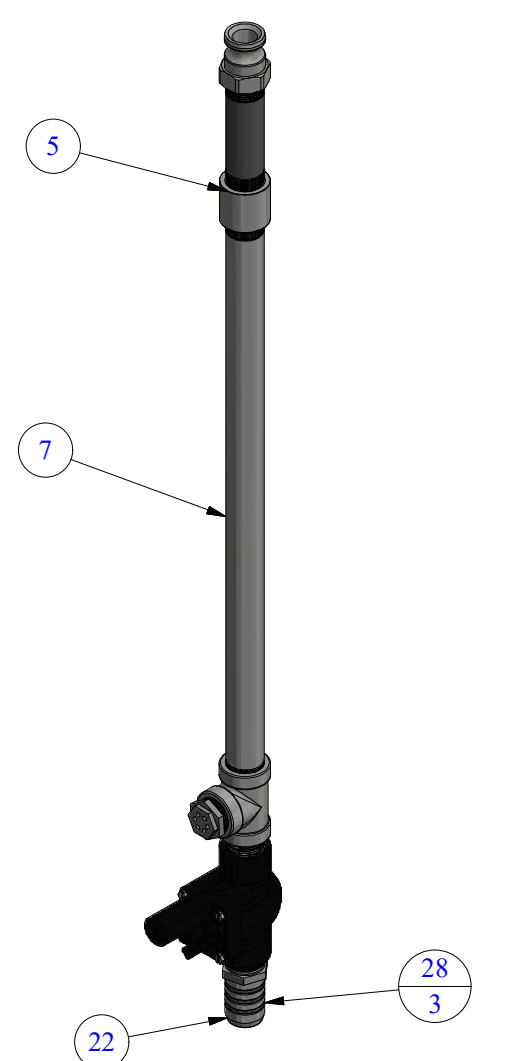
OPTIONAL 9815 DECHLORE BASKET



X9800A-UP-PVC



X9800A-LOWER-3' ASSEMBLY



DRAWN	2/6/2018
CHECKED	
DCL	8/1/2018
MODIFIED	
KJW	3/2/2021



SIZE	SCALE
D	1/4

2511 NORTH 9TH ST.
ST. LOUIS, MO 63102
1-800-231-3990

DWG NAME/PART NUMBER	SHEET
#9800A Cut_Rev1.2	1 OF 1
FILE PATH	REV
C:\ProgramData\Kupferle\9800A Cut_Rev1.2.dwg	1.2

DISCLAIMER:
THIS DRAWING IS THE PROPERTY OF THE KUPFERLE
FOUNDARY COMPANY. IT IS NOT TO BE USED OR
DUPLICATED WITHOUT THE PERMISSION OF THE OWNER