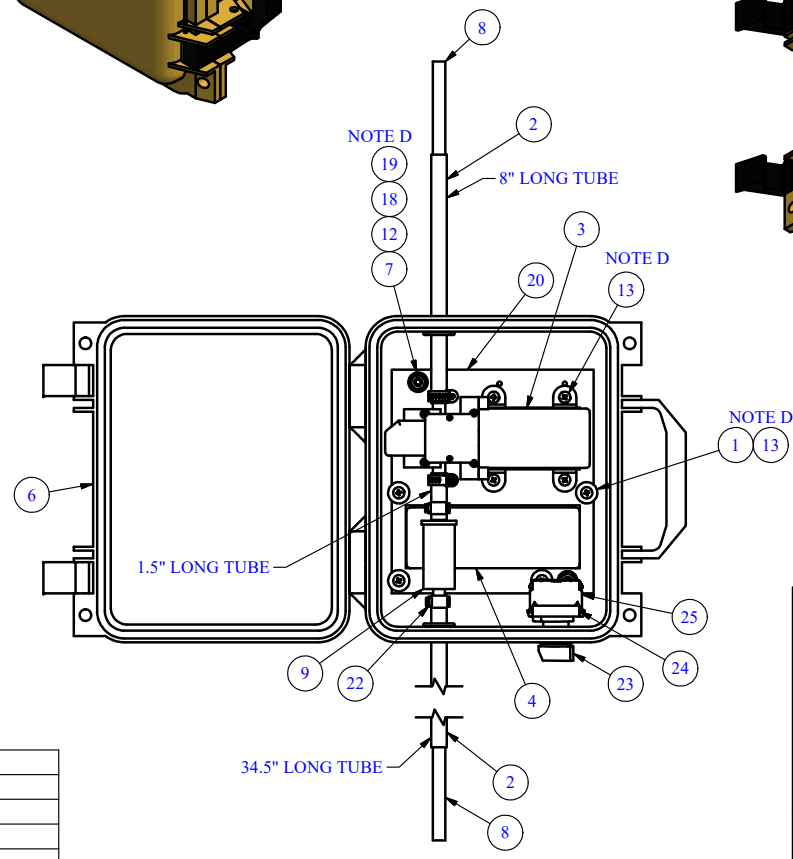
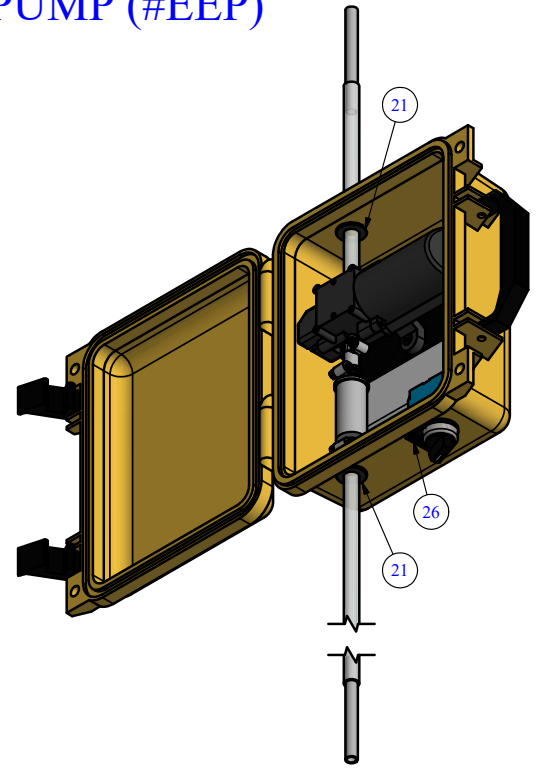
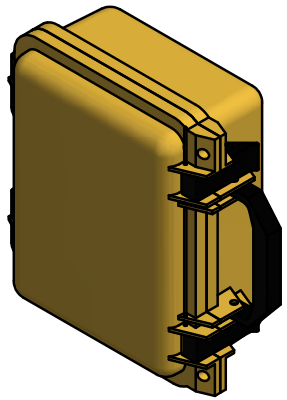



PARTS LIST				
ITEM	QTY	PART NUMBER	DESCRIPTION	NOTES
1	4	88-24	GENERAL MOUNTING WASHER	
2	44.000 in	88P-5	3/8" CLEAR HOSE	
3	1	88PE-01	EEP MOTOR AND PUMP ASSEMBLY	C
4	1	88PE-02	12V Battery (2000mAH)	
5	1	88PE-03	BATTERY CHARGER	
6	1	88PE-04	EEP EQUIPMENT CASE	C
7	2	88PE-05	SUBPANEL MOUNTING SCREW	
8	8.000 in	88PE-06	1/4" CLEAR HOSE ADAPTER	
9	1	88PE-07	INILNE FILTER SCREEN	
10	1	88PE-08	4 AMP MINI FUSE	A,C
11	1	88PE-09	FUSE HOLDER	A,C
12	2	345-N-9400	1/4" S.S. NUT	
13	8	9400A-71	SCREW TO ATTACH TO SUBPANEL	
14	2	9411	WIRE PIN MALE	
15	4	9412	WIRE CONNECTOR FEMALE	
16	1	9413	2 POLE WIRE PLUG (MALE)	
17	2	9414	2 POLE WIRE RECEPTACLE (FEMALE)	
18	2	9419	1/4" S.S. FLAT WASHER	
19	2	9458	1/4" S.S. LOCK WASHER	
20	1	EEP-SUB	SUBPANEL FOR EEP	
21	2	I37036	PUSH IN GROMMET	
22	2	197059	HOSE CLAMP	
23	1	197502	2 POS METAL SWITCH	
24	1	197503	METAL SWITCH (HOLDER)	
25	1	197504	CONTACT BLOCK	
26	1	197505	METAL SWITCH (LEGEND FRAME)	
27	2	197513	BLACK 9IN RUBBER STRAP	A,C
28	1	198018	MOUNTING BASE	
29	1	198019	4IN CABLE TIE	

REPLACEMENT PARTS LIST		
PART NUMBER	DESCRIPTION	PARTS INCLUDED
X88PE-02	BATTERY ASSEMBLY	88PE-02 BATTERY (1), 9411 PIN (2), 9413 PLUG (1)
X88PE-03	CHARGER ASSEMBLY	88PE-03 CHARGER (1), 9412 CONNECTOR (2), 9414 RECEPTACLE (1)

GENERAL NOTES	
NOTE	DESCRIPTION
A	NOT SHOWN
C	SOLD AS REPLACEMENT PART
D	BOLT ASSEMBLY USED ON ALL SIMILAR HOLES/BRACKETS
E	NOT ALL ELECTRICAL COMPONENTS AND WIRING SHOWN FOR CLARITY PURPOSES

# ELECTRIC EVACUATION PUMP (#EEP) CUT SHEET



DRAWN	RPS	9/20/2021			
CHECKED	DCL	9/20/2021			
MODIFIED	ADC	1/17/2024			
SIZE	B	SCALE		1 / 4	
DWG NAME/PART NUMBER		EEP		SHEET	REV
FILE PATH		G:\ENGINEERING\Mechanical\EEP\EEP_Cut.dwg		1 OF 1	1.1