

Eclipse 88-SS

Stainless Steel Sampling Station for Any Climate

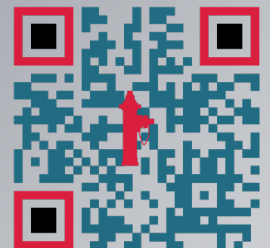


About the Eclipse 88-SS

- Durable all stainless steel waterway
- Secure locking cast-aluminum enclosure
- No drain or threads to prevent contamination
- Designed for use in any climate
- Fully maintainable from above ground

Getting More Specific...

- 3/8" unthreaded sample nozzle
- 3/4" FIP inlet connection
- 1/8" evacuation tube to avoid freezing (electric evacuation pump (EEP) sold separately)
- Lockable powder-coated cast-aluminum enclosure (option to cast your own logo)
- Can accommodate any bury depth in 6" increments
- Extreme cold package recommended on buries 5' or deeper
- Optional pedestal up to 3' (pictured)



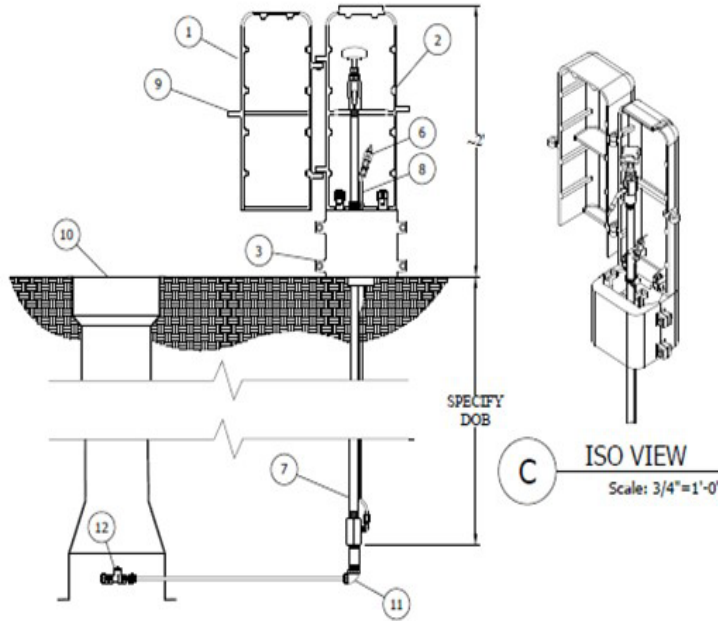
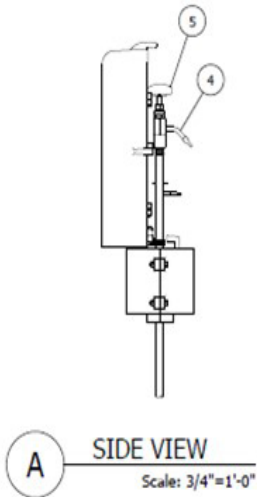


Create a Custom Design!

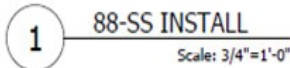
Special powder coat paint, boxes with logos, pedestals, and more!



#88-SS SAMPLING STATION SPEC SHEET



GENERAL SPECIFICATIONS	
MAXIMUM OPERATING PRESSURE	220 PSI
STATION MATERIALS	303, 316, & 18-8 STAINLESS STEEL, BUNA-N
ENCLOSURE MATERIAL	CAST AL 319 ALUMINUM
ENCLOSURE COLOR	GREEN
WETTED MATERIALS	BUNA-N RUBBER, 303 & 18-8 STAINLESS STEEL
DEPTH OF BURY	SPECIFY
WEIGHT	~35 LBS @ 7' DOB
CUSTOM LOGO	



ITEM	DESCRIPTION	NOTES
1	88 FRONT DOOR (COVER A)	
2	88 REAR DOOR (COVER B)	
3	88 BASE	2 PIECES
4	3/8" UNTHREADED NOZZLE	
5	OPERATING HANDLE	
6	PETCOCK	
7	1/2" S.S. WATERWAY	
8	1/4" S.S. TUBING	
9	LOCKING HOLE	
10	VALVE BOX	BY OTHERS
11	3/4" S.S. ELBOW	BY OTHERS
12	BALL VALVE CURBSTOP	BY OTHERS

Sampling Station shall be _____' bury, with a 3/4" FIP inlet, and 3/8" unthreaded blow off and sampling bibb. Station shall be enclosed in a lockable, aluminum box with hinged openings.

When open, the station shall require no key for operation, and all water flow shall pass thru an all stainless steel waterway. Seat rubber and all operational components shall be serviceable / replaceable from above ground with no digging or excavation needed.

A secondary valve (stainless steel petcock) shall be located on the evacuation line, independent of the sampling bibb and when open shall allow for evacuation of any water remaining inside the station, via pump or compressed air blow off, to prevent freezing.

The station shall be model #88-SS as manufactured by The Kupferle Foundry, St. Louis MO. 63102 or approved equal.

Don't let them freeze!

Our rechargeable battery-powered evacuation pump (EEP) keeps your stations dry and safe from freezing during cold weather

