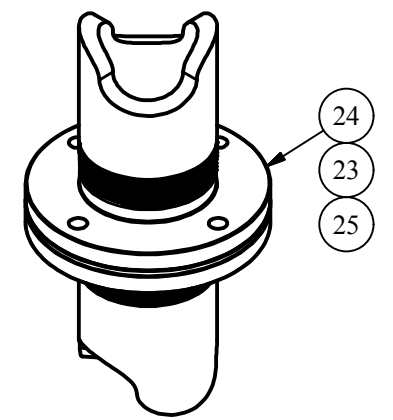
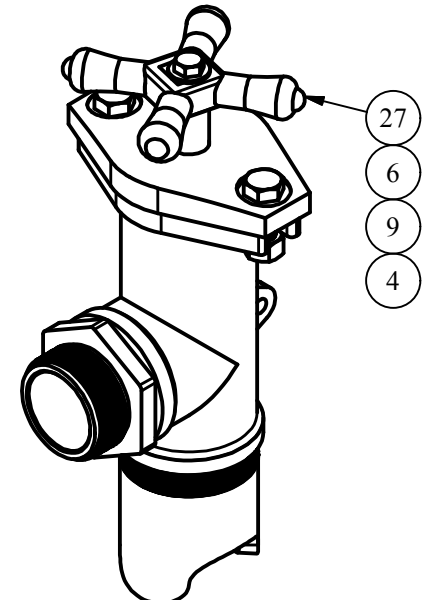


#TF-200 CUT SHEET

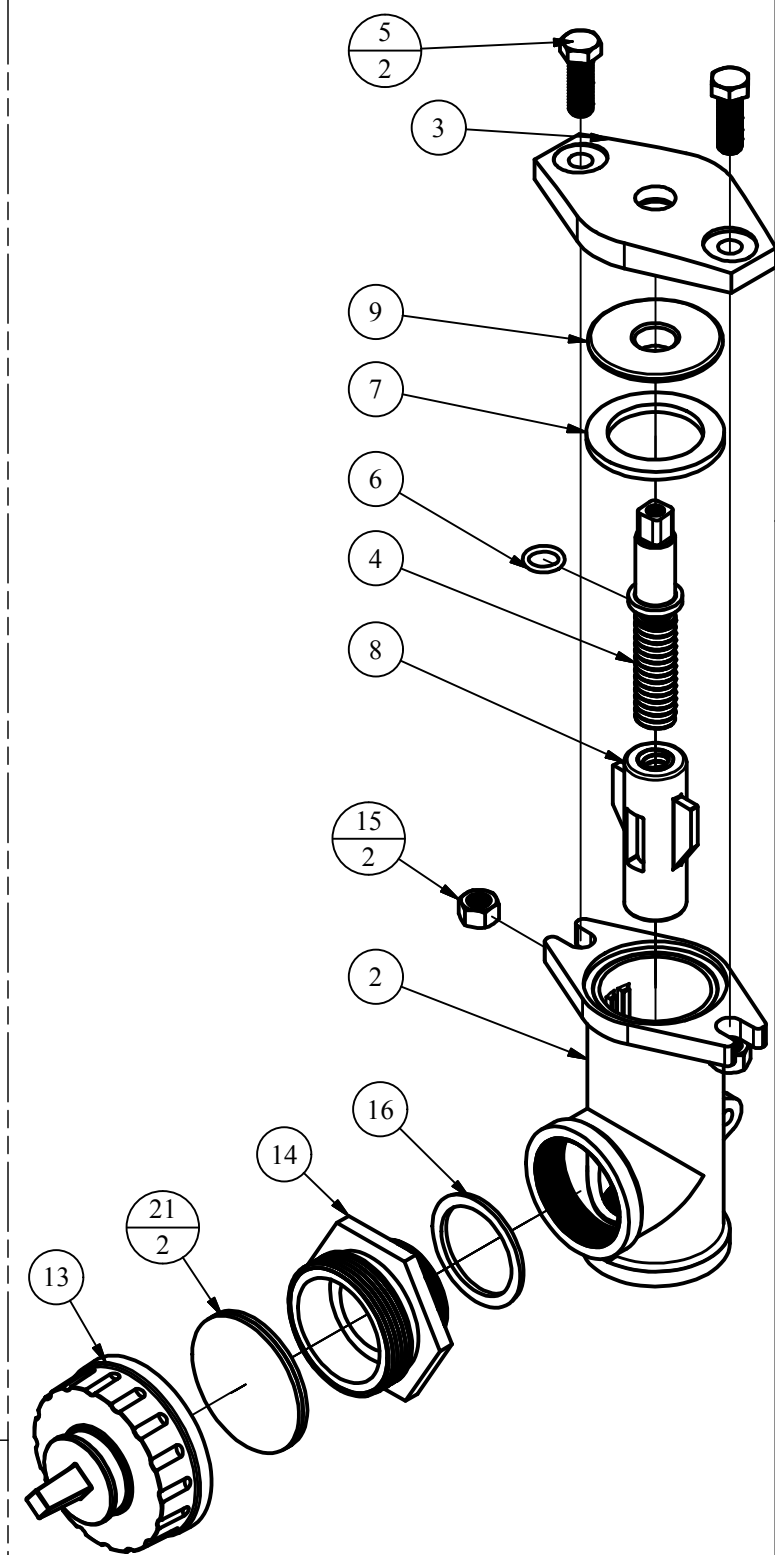
#TF-200-TB OPTION



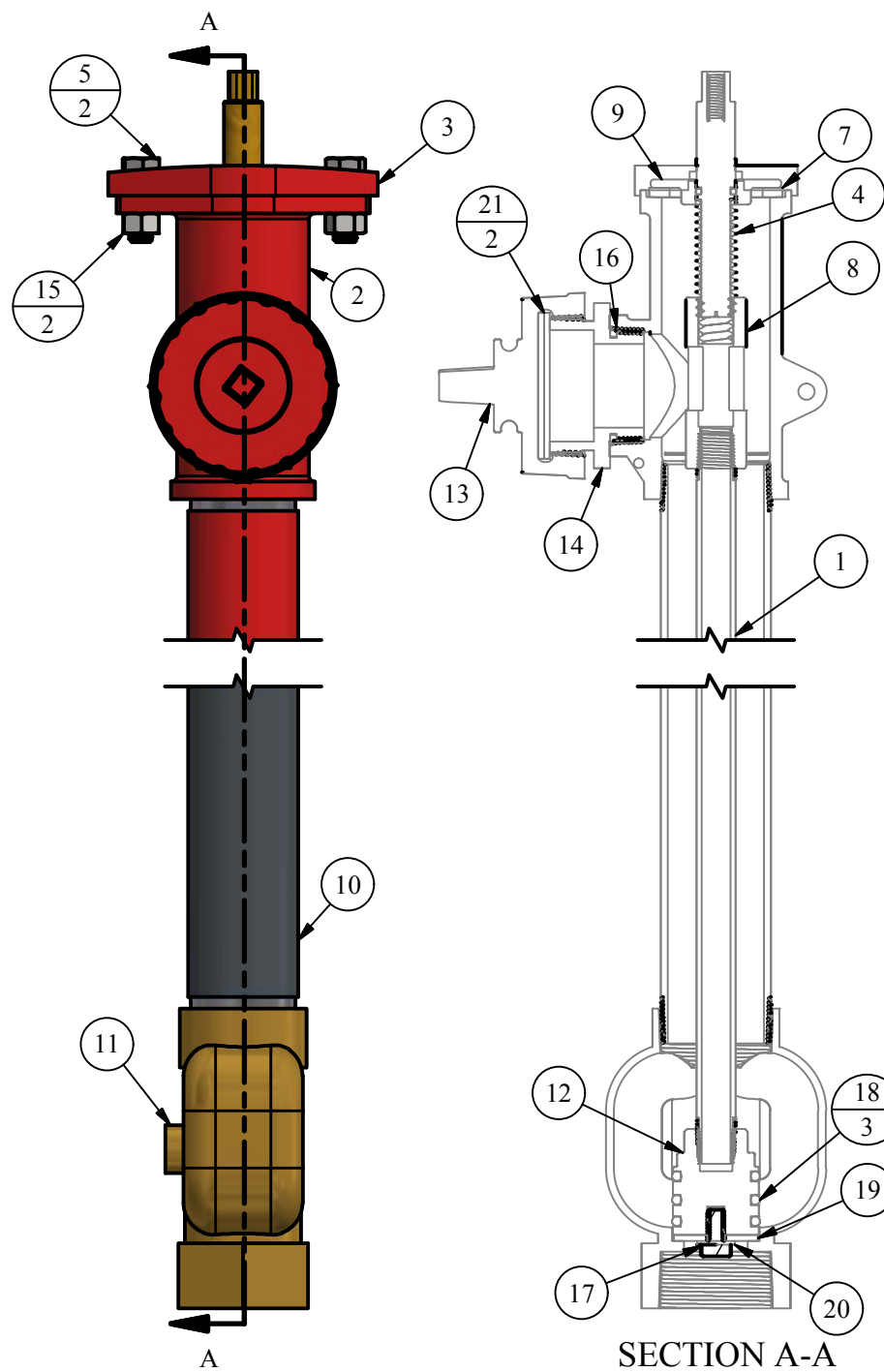
#TF-200 WITH HANDLE



TOP STOCK ASSEMBLY



SECTION A-A
CENTER SECTION VIEW



PARTS LIST

ITEM	QTY	PART NUMBER	DESCRIPTION	NOTES
1	6.33	1/2P	1/2" STEEL PIPE	B,C
2	1	10201	IRON HEADSTOCK	C
3	1	10202	IRON TOP CAP	C
4	1	10204	BRASS TOP SCREW	
5	2	10210	TOP CAP BOLT	C
6	1	10220	O-RING FOR TOP SCREW	C
7	1	10222	TOP CAP GASKET	C
8	1	10241	BRASS CONNECTING NUT	C
9	1	10243	TRUFLO BRASS WASHER	C
10	5.83	2P	2" STEEL PIPE	B,C
11	1	57V	2" BRASS DUAL PORT STRAIGHT VALVE	C
12	1	57V-PLUNGER	PLUNGER	
13	1	592-C	2-1/2" NST SIDE CAP (SMALL SQUARE)	
14	1	601A	2-1/2" NST BRASS NOZZLE	
15	2	629A-N	FLANGE NUT	
16	1	669	PACKING NUT GASKET	C
17	1	77C	SEAT RUBBER BOLT	
18	3	77D	PLUNGER O-RING	C
19	1	77I	SEAT WASHER	C
20	1	77W	WASHER FOR PLUNGER	
21	2	A16	NOZZLE CAP GASKET (2-1/2")	C

OPTIONAL / REPAIR PARTS LIST

22	0	10204-AV	ANTI-VANDAL TOP SCREW	
23	0	10250	GASKET FOR BREAKAWAY	C
24	0	10251	4-HOLE IRON FLANGE FOR BREAKAWAY	C
25	0	10252	8-HOLE IRON FLANGE FOR BREAKAWAY	C
26	0	10256	ANTI-VANDAL CAP	C
27	0	1699	IRON HANDLE	C
28	0	58V	2" BRASS DUAL PORT SIDE INLET VALVE	C
29	0	665	10" HAND WHEEL	C
30	0	ZTF500W-6	TRUFLO 6" OPERATING WRENCH	C

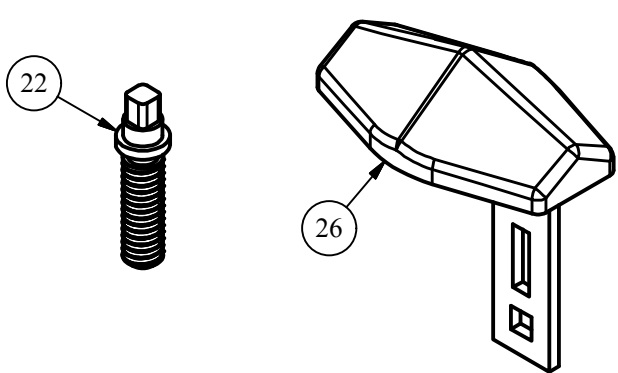
REPAIR KITS

PART NUMBER	DESCRIPTION	PARTS INCLUDED
X10204	BRASS TOP SCREW COMPLETE	10204 SCREW (1), 10220 O-RING (1)
X57RK	TRUFLO REPAIR KIT	77D O-RING (3), 77I SEAT WASHER (1), 77W WASHER (1)
X57V-PLUNGER	TRUFLO PLUNGER COMPLETE	57V-PLUNGER PLUNGER (1), 77D O-RING (3), 77I SEAT WASHER (1), 77W WASHER (1) 77C BOLT (1)
X592C	NOZZLE CAP COMPLETE 2-1/2" NST	592-C SIDE CAP (1), A16 GASKET (2) 595 CHAIN ASSEMBLY (1)
X601A	BRASS NOZZLE 2-1/2" NST	601A NOZZLE (1), 669 GASKET (1)

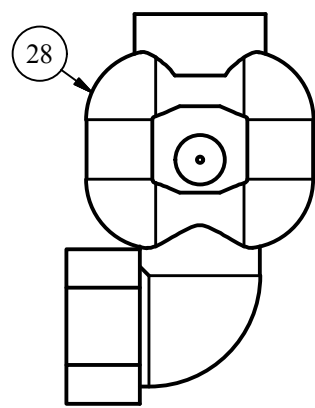
OPTIONAL PART REPAIR KITS

X500TF	BRASS TOP SCREW FOR HANDLE COMPLETE	500TF BRASS TOP SCREW (1), 10220 O-RING (1), 77C SCREW (1), 77W WASHER (1)
--------	-------------------------------------	--

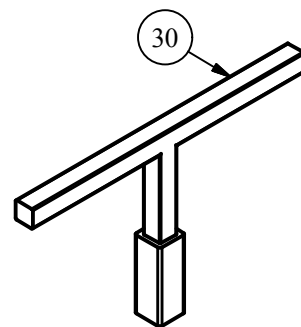
OPTIONAL ANTI-VANDAL CAP & SCREW



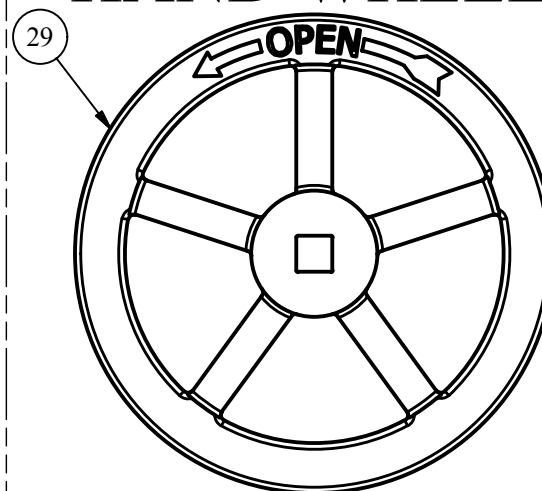
OPTIONAL SIDE INLET VALVE



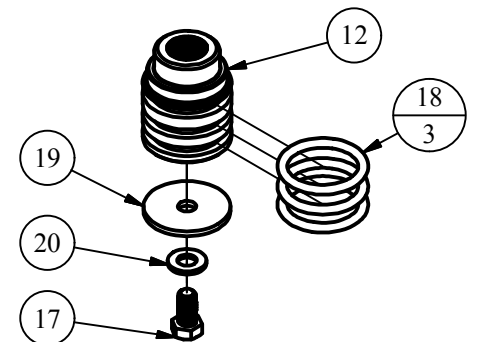
6" OPERATING WRENCH



OPTIONAL HAND WHEEL



PLUNGER ASSEMBLY



NOTE	DESCRIPTION
B	PIPE LENGTH DEPENDENT ON DEPTH OF BURY
C	SOLD AS REPLACEMENT PART

DISCLAIMER
THIS DRAWING IS THE PROPERTY OF THE KUPFERLE FOUNDRY COMPANY. IT IS NOT TO BE USED OR DUPLICATED WITHOUT THE PERMISSION OF THE OWNER.

LEGEND

(X)	STANDARD TAG
(X/Y)	TAG WITH Y QUANTITY

DRAWN	SMS	9/20/2017
CHECKED	DCL	2/20/2018
MODIFIED	MAM	1/30/2019
SIZE	C	
SCALE		1 / 4
DWG NO	#TF-200 Cut_Rev0	



SHEET	REV
1 OF 1	1