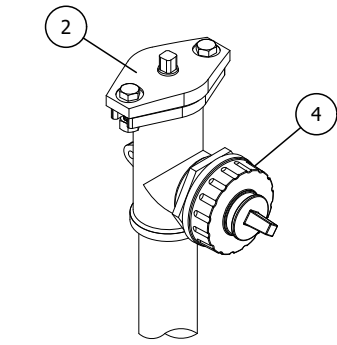
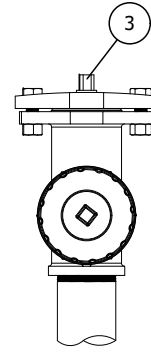
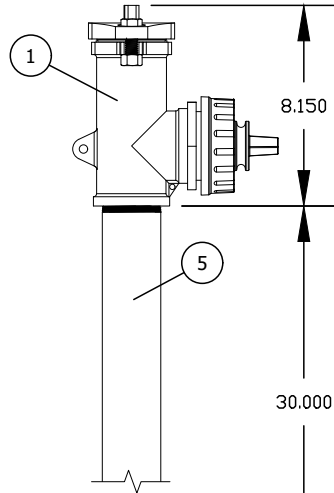


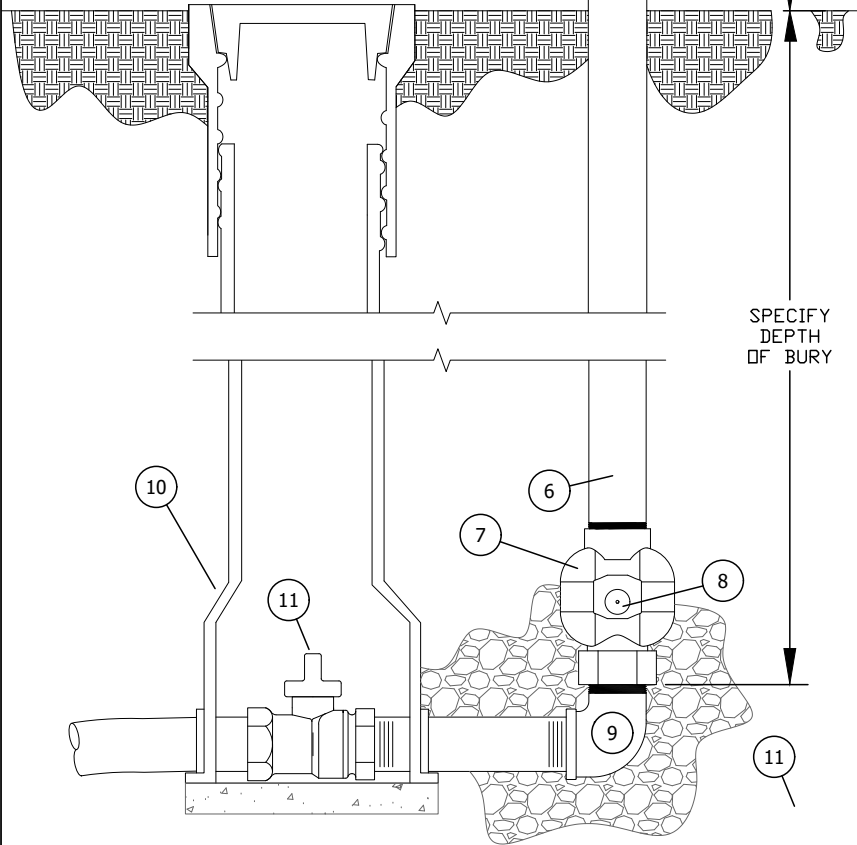
TF-200 TRUFLO POST HYDRANT SPEC SHEET



1 ISO VIEW
Scale: 1-1/2"=1'-0"



2 FRONT VIEW
Scale: 3/4"=1'-0"



HYDRANT SHALL BE _____' BURY, WITH (2" MJ SIDE, 2" FIP SIDE, OR 2" FIP VERTICAL) INLET AND (ANY SIZE UP TO 2-1/2" NST) NOZZLE OUTLET.

HYDRANT SHALL BE NON-FREEZING AND SELF DRAINING. HYDRANT SHALL BE OPERATED BY TURNING A TOP-MOUNTED $\frac{9}{16}$ " SQUARE OPERATING NUT COUNTERCLOCKWISE TO OPEN AND CLOCKWISE TO CLOSE. HYDRANT MUST SEAL THE DRAIN OUTLET IN ALL POSITIONS FROM 1/4-OPEN TO FULLY OPEN. ALL INTERNAL WORKING PARTS, THE INLET, AND THE OUTLET SHALL BE BRASS WITH THE PLUNGER BEING PVC. ALL WORKING PARTS SHALL BE SERVICEABLE FROM ABOVE GROUND WITH NO DIGGING REQUIRED. ALL WEAR PARTS (O-RINGS AND VALVE SEAT) SHALL BE OF COMMONLY AVAILABLE DIMENSIONS AND MATERIALS, NONE MAY BE VENDOR UNIQUE DESIGN.

(ANTI-VANDAL CAP OPTION: AN ANTI-VANDAL LOCKING MECHANISM SHALL BE PROVIDED, WHICH SHALL ALSO SERVE AS AN OPERATING WRENCH.)

("TRAFFIC" OPTION: HYDRANT SHALL BE DESIGNED TO BREAK AWAY AT GRADE LEVEL IN EVENT OF A SIGNIFICANT IMPACT. OUTLET NOZZLE SHALL BE ABLE TO POINT IN ANY OF 8 RADIAL DIRECTIONS. HYDRANT SHALL BE DESIGNED TO ACCEPT FIELD-INSTALLED GRADE-CHANGE MODIFICATIONS.)

HYDRANT SHALL BE MODEL TF-200 AS MANUFACTURED BY THE KUPFERLE FOUNDRY, ST. LOUIS MO. 63102 OR APPROVED EQUAL.

TF-200 HYDRANT TO BE INSTALLED AT THE FOLLOWING LOCATIONS:

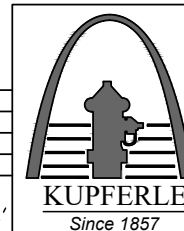
ITEM	ITEM / DESCRIPTION	NOTES
1	HEADSTOCK	
2	TDP CAP	
3	9/16" OPERATING NUT	
4	OUTLET	2-1/2" NST w/ SIDE CAP SHOWN
5	2" BARREL PIPE	STEEL, OTHER OPTIONS AVAILABLE
6	1/2" STEEL OPERATING ROD	NOT SHOWN, OTHER OPTIONS AVAILABLE
7	INLET VALVE BODY	2" FIP VERTICAL INLET SHOWN
8	DRAIN HOLE	
9	STREET ELBOW	BY OTHERS
10	VALVE BOX	BY OTHERS
11	HYDRANT SHUT-OFF VALVE	BY OTHERS
11	CRUSHED ROCK	BY OTHERS

DD/MM/YY	ISSUED FOR REFERENCE
DATE	STATUS / REVISION

TF-200 TRUFLO POST HYDRANT

	INITIALS	DATE
DRAWN	DCL	2/12/18
APPROVED	DCL	2/12/18
MODIFIED		

SCALE
1-1/2"=1'



2511 NORTH 9TH STREET
ST. LOUIS, MO 63102
1-800-231-3990
FAX 314-231-2820
www.hydrants.com