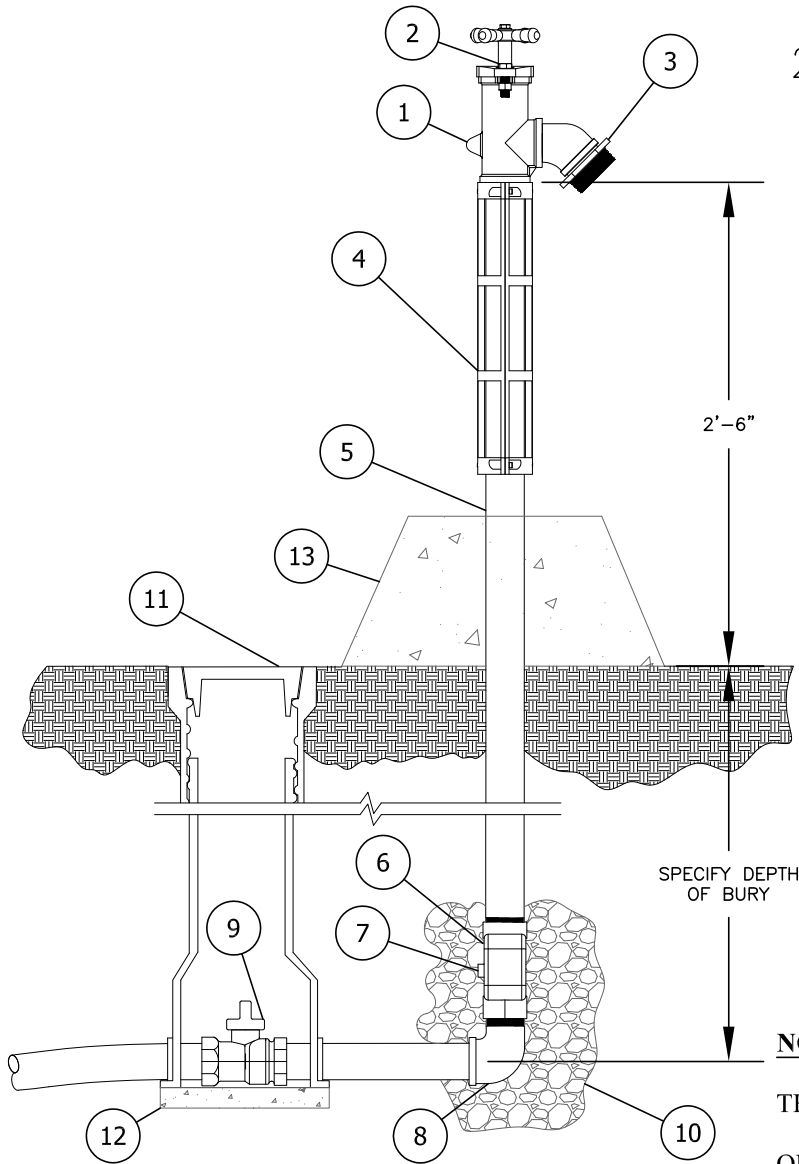


TRUFLO TF300 2" POST HYDRANT SPEC SHEET



TRUFLO TF300 YARD HYDRANT SHALL BE SELF-DRAINING, NON-FREEZING TYPE WITH A _____' DEPTH OF BURY. HYDRANT SHALL BE FURNISHED WITH A 1-1/4", 1-1/2" OR 2" VERTICAL OR HORIZONTAL INLET CONNECTION, A NON-TURNING OPERATING ROD AND SHALL OPEN TO THE LEFT. OUTLET SHALL BE (1", 1-1/2", 2", OR 2-1/2") MNPT OR (1-1/4", 1-1/2", 2" OR 2-1/2") NPT OUTLET EXTEND 30" ABOVE THE GROUND.

ALL WATER FLOW SHALL PASS THRU A 2" STEEL PIPE AND CAST IRON TOP STOCK WATERWAY. THE OPERATING DRIVE MECHANISM SHALL RAISE AND LOWER A PLUNGER TO CONTROL THE FLOW OF WATER AND SHALL BE SERVICEABLE FROM ABOVE GROUND WITH NO DIGGING OR REPLACEMENT NEEDED. SAID OPERATING DRIVE SHALL OPERATE WITH 4 SPOKE BALL WHEEL HANDLE (AS SHOWN) OR A 10" HAND WHEEL ON A 9/16" SQUARE OPERATING NUT. WHEN OPEN THE FLOW OF WATER SHALL BE UNOBSTRUCTED AND THE DRAIN HOLE SHALL BE COVERED.

HYDRANT SHALL BE SET IN 4 CUBIC FEET OF CRUSHED STONE TO ALLOW FOR PROPER DRAINAGE OF HYDRANT. RECOMMENDATION OF THE AWWA SHOULD BE FOLLOWED WHEN INSTALLING THE HYDRANT.

THE TRUFLO TF300 YARD HYDRANT AS MANUFACTURED BY THE KUPFERLE FOUNDRY, ST. LOUIS MO. 63102 OR APPROVED EQUAL.

NOTES:

THE TF300 HYDRANT

OUTLET SHALL BE: _____

ITEM	ITEM / DESCRIPTION	
1	TOP CAP	
2	SQUARE OPERATING NUT	
3	OUTLET	2-1/2" MNST SHOWN
4	CASING GUARD	
5	2" STEEL PIPE	
6	INLET VALVE BODY	
7	DRAIN HOLE	
8	STEEL ELBOW	BY OTHERS
9	HYDRANT SHUT-OFF VALVE	BY OTHERS
10	CRUSHED ROCK	BY OTHERS
11	VALVE BOX	BY OTHERS
12	SOLID CONCRETE BLOCK	BY OTHERS
13	SOLID CONCRETE BASE	RECOMMENDED

TRUFLO TF300 POST HYDRANT SHALL BE INSTALLED IN THE FOLLOWING LOCATIONS:

DATE	STATUS / REVISION

SHEET	OF	SCALE: 1"=1'	DRAWN	INITIALS	DATE
TF300 POST HYDRANT SPEC SHEET			APPROVED	SMS	06/01/17
			MODIFIED	DCL	06/01/17

2511 NORTH 9TH STREET
ST. LOUIS, MO 63102
1-800-231-3990
FAX 314-231-2820
www.hydrants.com

KUPFERLE
Since 1857