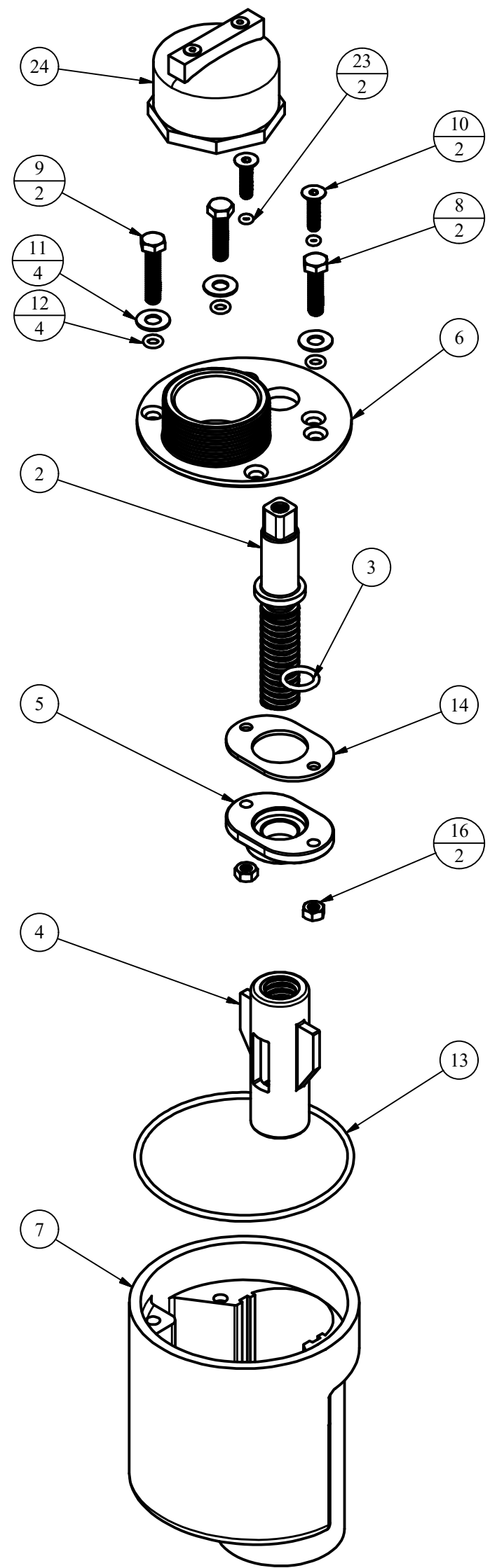
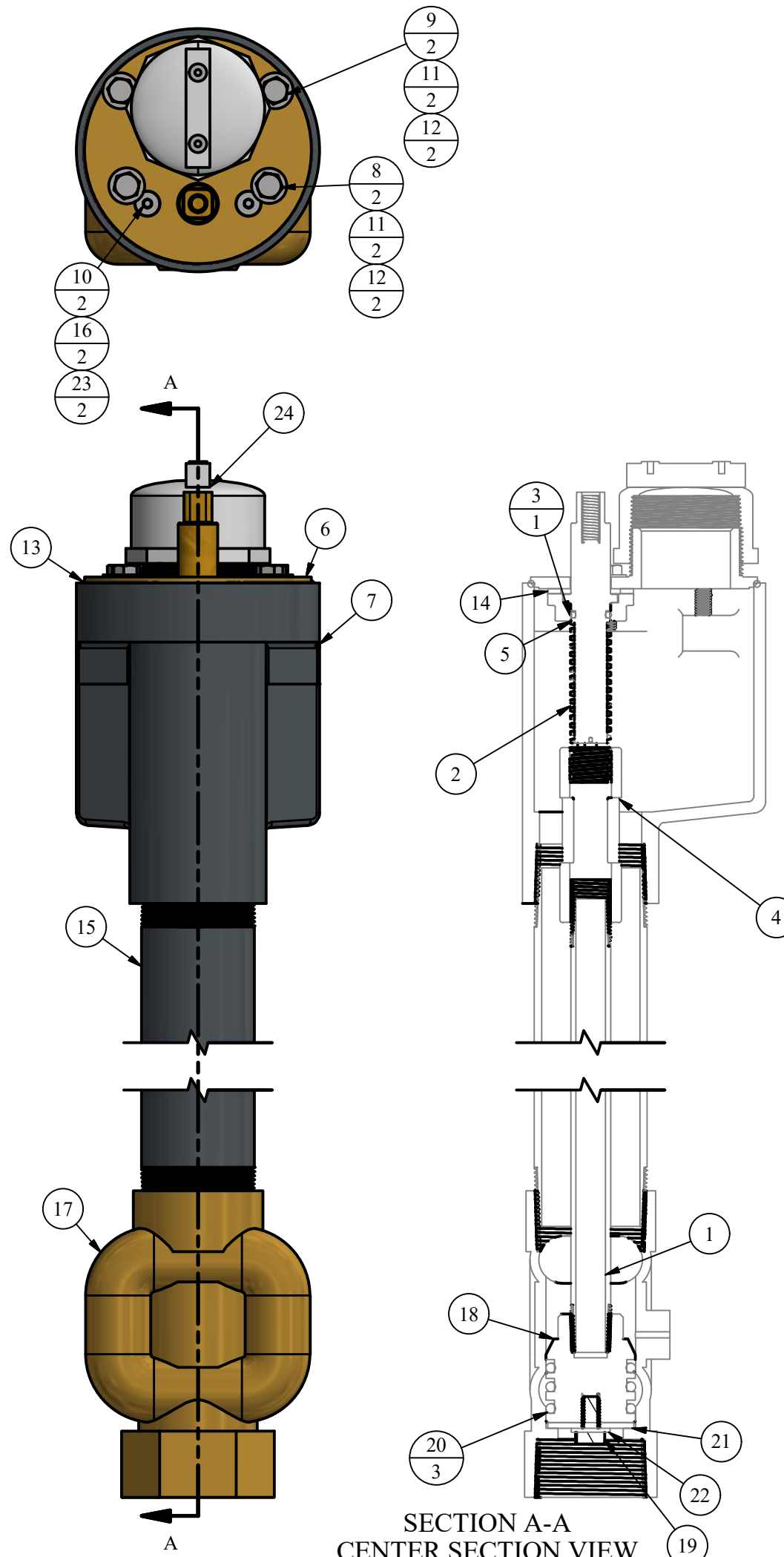


# #TF-500 CUT SHEET

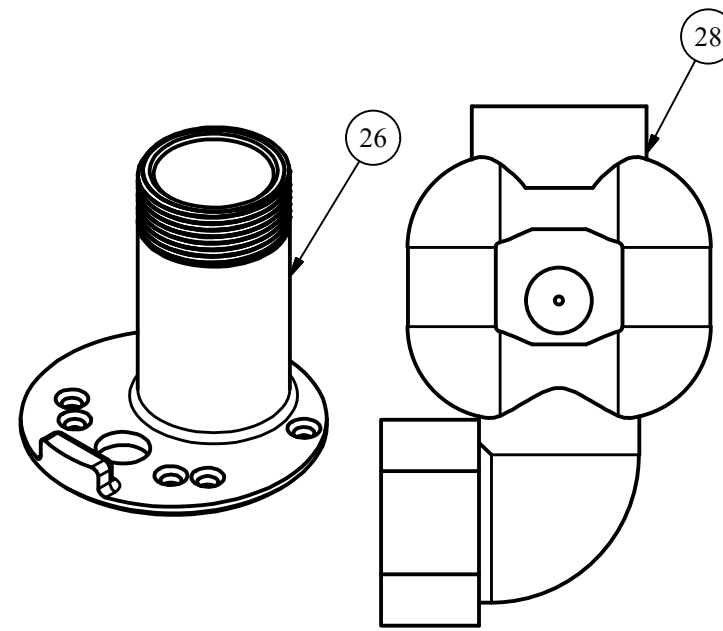
## TOP STOCK ASSEMBLY VIEW

PARTS LIST				
ITEM	QTY	PART NUMBER	DESCRIPTION	NOTES
1	32.000 in	1/2P	1/2" STEEL PIPE	B,C
2	1	10204	BRASS TRUFLO OPERATING SCREW	
3	1	10220	O-RING FOR TRUFLO OPERATING SCREW	C
4	1	10241	BRASS CONNECTING NUT	C
5	1	10500	BRASS WASHER	C
6	1	10501	BRASS LID WITH NOZZLE	C
7	1	10502	IRON HEADSTOCK	C
8	2	10505	SHORT BOLT FOR LID	
9	2	10506	LONG BOLT FOR LID	
10	2	10507-B	SOCKET BOLT FOR TRUFLO OPERATING SCREW	
11	4	10508	WASHER FOR LID BOLTS	
12	4	10509	O-RING FOR LID BOLTS	
13	1	10510	O-RING FOR LID	C
14	1	10511	GASKET FOR TRUFLO OPERATING SCREW	C
15	30.000 in	2P	2" STEEL PIPE	B,C
16	2	345-N-500	NUT FOR SOCKET BOLT	
17	1	57V	DUAL PORT STRAIGHT VALVE	C
18	1	57V-PLUNGER	PLUNGER	
19	1	77C	SEAT RUBBER BOLT	
20	3	77D	PLUNGER O-RING	C
21	1	77I	SEAT WASHER	C
22	1	77W	WASHER FOR PLUNGER	
23	2	92-OO	PLUNGER TIP O-RING	
24	1	X10504	PLASTIC NOZZLE CAP COMPLETE	
OPTIONAL / REPAIR PARTS LIST				
25	0	1/2BP	1/2" BRASS PIPE	A,B,C
26	0	10501A	TRUFLO BRASS LID WITH LONGER NOZZLE	
27	0	10502-B550	TF500 BRASS HEADSTOCK	A
28	0	2BP	2" BRASS PIPE	A,B,C
29	0	58V	DUAL PORT SIDE INLET VALVE	
30	0	ZTF500W-24	24" OPERATING WRENCH	A
31	0	ZTF500W-36	36" OPERATING WRENCH	A
32	0	ZTF500W-6	6" OPERATING WRENCH	A

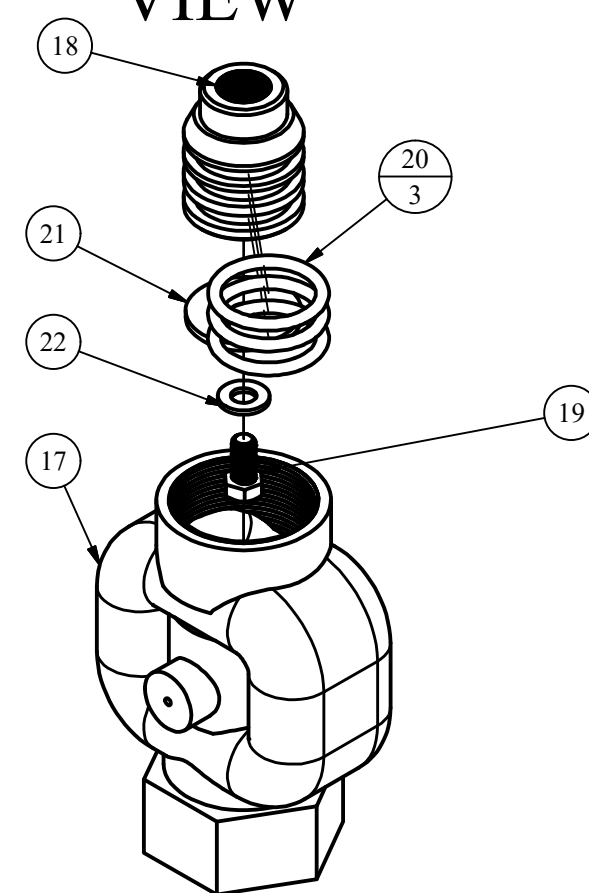


REPAIR KITS		
PART NUMBER	DESCRIPTION	PARTS INCLUDED
X10204	TRUFLO BRASS TOP SCREW COMPLETE	10204 SCREW (1), 10220 O-RING (1)
X10504	PLASTIC NOZZLE CAP COMPLETE	10504 CAP (1), 93-G SQUARE ROD (1), 66S63 RIVET (2)
X57RK	TRUFLO REPAIR KIT	77D O-RING (3), 77I SEAT WASHER (1), 77W WASHER (1)
X57V-PLUNGER	TRUFLO PLUNGER COMPLETE	57V-PLUNGER PLUNGER (1), 77D O-RING (3), 77I SEAT WASHER (1), 77W WASHER (1), 77C BOLT (1)

## OPTIONAL PARTS



## VALVE ASSEMBLY VIEW



NOTE	DESCRIPTION
A	NOT SHOWN
B	PIPE LENGTH DEPENDENT ON DEPTH OF BURY
C	SOLD AS REPLACEMENT PART

**DISCLAIMER:**  
THIS DRAWING IS THE PROPERTY OF THE KUPFERLE FOUNDRY COMPANY. IT IS NOT TO BE USED OR DUPLICATED WITHOUT THE PERMISSION OF THE OWNER.

## LEGEND

- (X) → STANDARD TAG
- (X/Y) → TAG WITH Y QUANTITY

DRAWN	8/29/2017
CHECKED	
DCL	2/8/2018
MODIFIED	
KJW	8/25/2020
SIZE	SCALE
C	1/3



2511 NORTH 9TH ST.  
ST. LOUIS, MO 63102  
1-800-231-3990

DWG NO	#TF-500 Cut_Rev1.1	SHEET	1 OF 2	REV	1.1
--------	--------------------	-------	--------	-----	-----