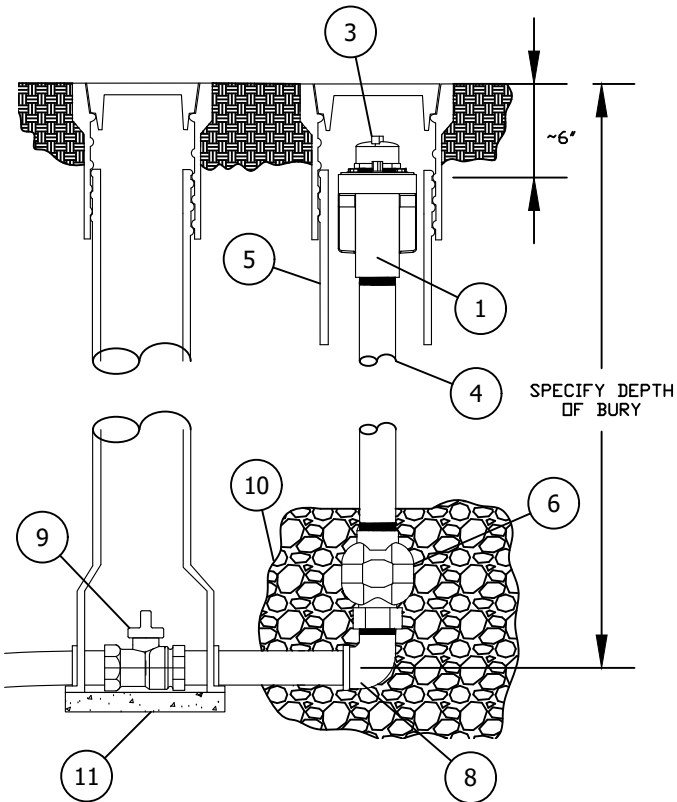


TRUFLO TF-500 SPEC SHEET



TRUFLO TF-500 BELOW GRADE BLOW-OFF HYDRANT SHALL BE SELF-DRAINING, NON-FREEZING TYPE WITH A _____' DEPTH OF BURY. HYDRANT SHALL BE FURNISHED WITH A 2" VERTICAL (SHOWN) OR HORIZONTAL FIP INLET CONNECTION, A NON-TURNING OPERATING ROD AND SHALL OPEN TO THE LEFT. OUTLET SHALL BE 2" MIP WITH PLUG AND BE HOUSED IN A STANDARD 5-1/4" VALVE BOX. ALL WATER FLOW SHALL PASS THRU A 2" STEEL PIPE AND CAST LOW LEAD BRASS WATERWAY. THE OPERATING DRIVE MECHANISM SHALL RAISE AND LOWER A PLUNGER TO CONTROL THE FLOW OF WATER AND SHALL BE SERVICEABLE FROM ABOVE GROUND WITH NO DIGGING OR REPLACEMENT NEEDED. SAID OPERATING DRIVE SHALL OPERATE WITH A 5/16" SQUARE DRIVE WRENCH. WHEN OPEN THE FLOW OF WATER SHALL BE UNOBSTRUCTED AND THE DRAIN HOLE SHALL BE COVERED.

HYDRANT SHALL BE SET IN 4 CUBIC FEET OF CRUSHED STONE TO ALLOW FOR PROPER DRAINAGE OF HYDRANT. RECOMMENDATION OF THE AWWA SHOULD BE FOLLOWED WHEN INSTALLING THE HYDRANT.

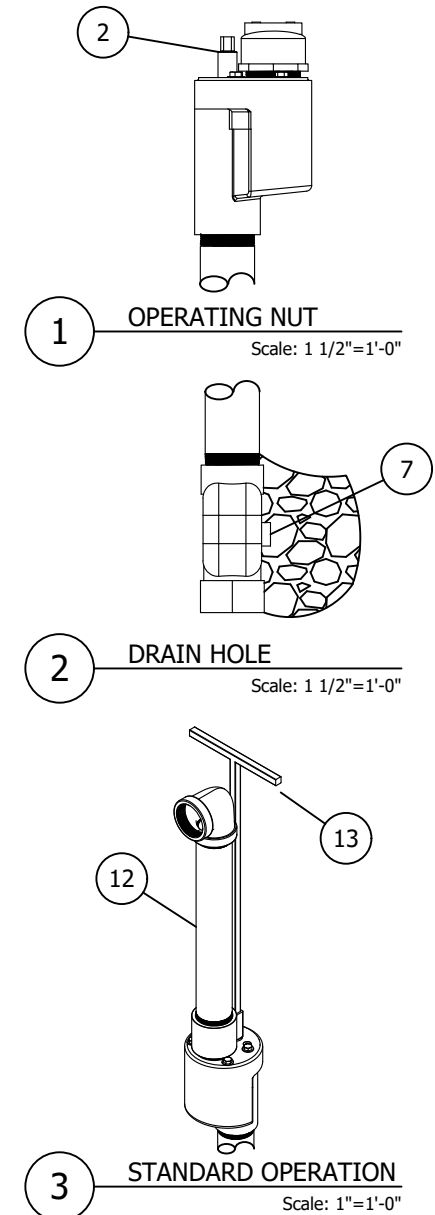
THE TRUFLO TF-500 BELOW GRADE BLOW-OFF HYDRANT AS MANUFACTURED BY THE KUPFERLE FOUNDRY, ST. LOUIS MO. 63102 OR APPROVED EQUAL.

TRUFLO TF-500 MANUAL BLOW-OFF HYDRANT SHALL BE INSTALLED IN THE FOLLOWING LOCATIONS:

ITEM	ITEM / DESCRIPTION	NOTES
1	TOP CAP	
2	9/16" OPERATING SCREW	
3	2" MIP OUTLET	SHOWN CAPPED
4	2" STEEL PIPE	
5	METER BOX	BY OTHERS
6	INLET VALVE	
7	DRAIN HOLE	
8	90° STREET ELBOW	BY OTHERS
9	HYDRANT SHUT-OFF VALVE	BY OTHERS
10	CRUSHED ROCK	BY OTHERS
11	SOLID CONCRETE BLOCK	BY OTHERS
12	RISER PIPE	OPTIONAL
13	OPERATING SCREW WRENCH	OPTIONAL

NOTES:

- 1.) PIPING BY OTHERS
- 2.) KUPFERLE RECOMMENDS USAGE OF A RISER PIPE AND A VALVE WRENCH.



DD/MM/YY	ISSUED FOR ...
DATE	STATUS / REVISION

	INITIALS	DATE
DRAWN	DCL	12/11/17
APPROVED	DCL	12/11/17
MODIFIED	KJW	06/29/21
		SCALE
		1"=1'-0"

TF-500 TRUFLO (VERTICAL INLET) SPEC SHEET



2511 NORTH 9TH STREET
ST. LOUIS, MO 63102
1-800-231-3990
FAX 314-231-2820
www.hydrants.com

KUPFERLE
Since 1857