

Truflo #TF200

Specify Kupferle's Truflo #TF200 Blow-Off for Above Grade or Truflo #TF250 for Below Grade



Truflo #TF200

- Unique Valve Delivers Full-Flow (400 gpm)
- Heavy Wall Cast-Iron Construction
- Easy to Maintain Without Digging
- 9/16" Operating Nut and Nozzle Cap
- 2½" NST Outlet (other sizes available)
- 2" FIP Vertical (Straight) Inlet
- Optional 2" Horizontal (Side) Inlet
- Optional Handle & Pent Cap (as pictured)
- Optional Hand Wheel Available

TRUFLO™



Truflo #TF250



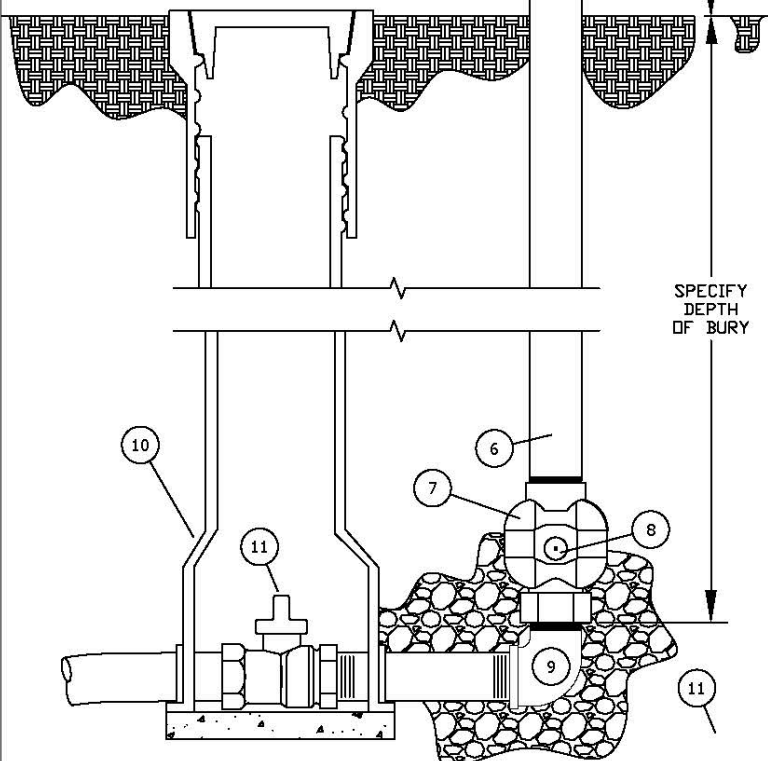
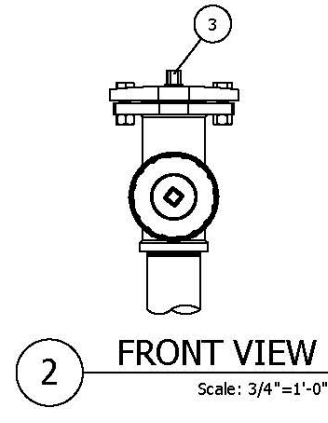
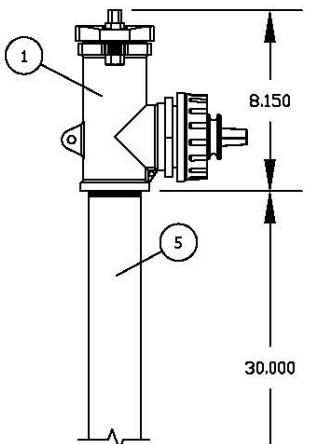
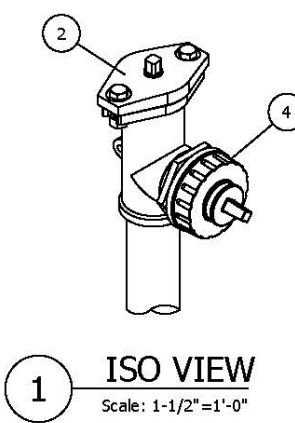
Truflo #TF200



Kupferle
2511 North 9th Street
St. Louis, MO 63102
800-231-3990 / www.hydrants.com
Contact us at info@hydrants.com



TF-200 TRUFLO POST HYDRANT SPEC SHEET



HYDRANT SHALL BE _____' BURY, WITH (2" MJ SIDE, 2" FIP SIDE, OR 2" FIP VERTICAL) INLET AND (ANY SIZE UP TO 2-1/2" NST) NOZZLE OUTLET. HYDRANT SHALL BE NON-FREEZING AND SELF DRAINING. HYDRANT SHALL BE OPERATED BY TURNING A TOP-MOUNTED $\frac{9}{16}$ " SQUARE OPERATING NUT COUNTERCLOCKWISE TO OPEN AND CLOCKWISE TO CLOSE. HYDRANT MUST SEAL THE DRAIN OUTLET IN ALL POSITIONS FROM 1/4-OPEN TO FULLY OPEN. ALL INTERNAL WORKING PARTS, THE INLET, AND THE OUTLET SHALL BE BRASS WITH THE VALVE BEING PVC. ALL WORKING PARTS SHALL BE SERVICEABLE FROM ABOVE GROUND WITH NO DIGGING REQUIRED. ALL WEAR PARTS (O-RINGS AND VALVE SEAT) SHALL BE OF COMMONLY AVAILABLE DIMENSIONS AND MATERIALS, NONE MAY BE VENDOR UNIQUE DESIGN.

(ANTI-VANDAL CAP OPTION: AN ANTI-VANDAL LOCKING MECHANISM SHALL BE PROVIDED, WHICH SHALL ALSO SERVE AS AN OPERATING WRENCH.)

("TRAFFIC" OPTION: HYDRANT SHALL BE DESIGNED TO BREAK AWAY AT GRADE LEVEL IN EVENT OF A SIGNIFICANT IMPACT. OUTLET NOZZLE SHALL BE ABLE TO POINT IN ANY OF 8 RADIAL DIRECTIONS. HYDRANT SHALL BE DESIGNED TO ACCEPT FIELD-INSTALLED GRADE-CHANGE MODIFICATIONS.)

HYDRANT SHALL BE MODEL TF-200 AS MANUFACTURED BY THE KUPFERLE FOUNDRY, ST. LOUIS MO. 63102 OR APPROVED EQUAL.

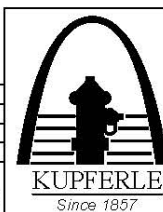
ITEM	ITEM / DESCRIPTION	NOTES
1	HEADSTOCK	
2	TOP CAP	
3	9/16" OPERATING NUT	
4	OUTLET	2-1/2" NST w/ SIDE CAP SHOWN
5	2" BARREL PIPE	STEEL, OTHER OPTIONS AVAILABLE
6	1/2" STEEL OPERATING ROD	NOT SHOWN, OTHER OPTIONS AVAILABLE
7	INLET VALVE BODY	2" FIP VERTICAL INLET SHOWN
8	DRAIN HOLE	
9	STREET ELBOW	BY OTHERS
10	VALVE BOX	BY OTHERS
11	HYDRANT SHUT-OFF VALVE	BY OTHERS
11	CRUSHED ROCK	BY OTHERS

TF-200 HYDRANT TO BE INSTALLED AT THE FOLLOWING LOCATIONS:

DD/MM/YY	ISSUED FOR REFERENCE	TF-200 TRUFLO POST HYDRANT
DATE	STATUS / REVISION	

	INITIALS	DATE
DRAWN	DCL	2/12/18
APPROVED	DCL	2/12/18
MODIFIED		

SCALE
1-1/2"=1'



2511 NORTH 9TH STREET
ST. LOUIS, MO 63102
1-800-231-3990
FAX 314-231-2820
www.hydrants.com