

# MAIN GUARD™

## #66-BOLLARD SAMPLING STATION

### FEATURES:

- Designed for freezing/cold climates
- **All stainless steel waterway**
- UV resistant polyethylene lockable enclosure
- **Unthreaded 7/16" sampling bibb**
- 1/4" globe valve petcock with evacuation tube to prevent freezing (non-draining – requires manual pump)
- **Vinyl outlet caps keep waterway clean**
- Maintainable from above ground – no digging!



Evacuation  
Hand Pump  
(sold separately)



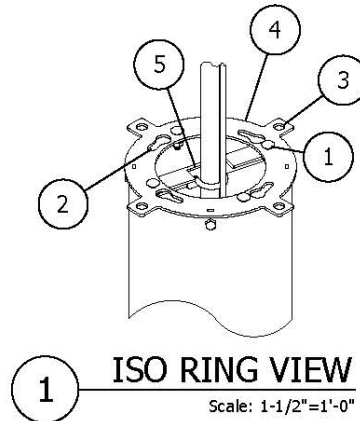
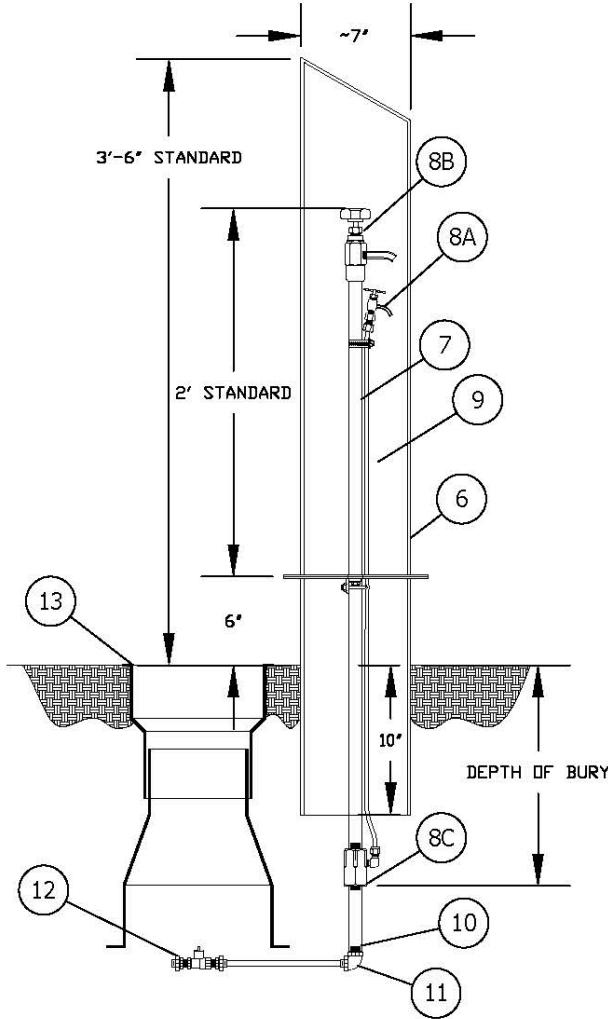
Easily Secured with Lock



800-231-3990 | [www.hydrants.com](http://www.hydrants.com)

2511 North 9<sup>th</sup> Street | St. Louis, MO 63102

# #66 BOLLARD SAMPLING STATION SPEC SHEET



ITEM	ITEM / DESCRIPTION	NOTES
1	LOCKING CARRIAGE BOLTS	
2	LOCKING RUNNERS	
3	1/2" LOCK HOLE	
4	ADAPTER STAND-OFF RING	2 PIECES
5	MOUNTING BRACKET	
6	7" BOLLARD ENCLOSURE	
7	1/2" S.S. WATERWAY	
8A	SAMPLING VALVE + BIBB	
8B	HEADSTOCK	
8C	CONTROL VALVE	
9	1/4" S.S. WATERWAY	
10	3/4" S.S. NIPPLE	BY OTHERS
11	3/4" S.S. ELBOW	BY OTHERS
12	HYDRANT SHUT-OFF VALVE	BY OTHERS
13	VALVE BOX	BY OTHERS

#66 SAMPLING STATION SHALL BE \_\_\_\_\_' BURY WITH A 3/4" FIP INLET AND A 7/16" UNTHREADED OUTLET ENCLOSED IN A LOCKABLE UV RESISTANT NON REMOVABLE 7" DIAMETER ROUND LDPE BOLLARD ENCLOSURE. STATION SHALL REQUIRE NO KEY FOR OPERATION. THE MAIN HEADSTOCK SHALL CONTROL THE FLOW OF WATER THRU THE 7/16" OUTLET, WITH 6 ROTATIONS OF THE HANDLE BEING FULLY OPEN.

A SEPARATE PETCOCK VALVE SHALL CONTROL THE DISCHARGE OF WATER VIA AN UNTHREADED 1/4" OUTLET. ALL WATER SHALL PASS THROUGH AN ALL STAINLESS STEEL WATER WAY.

ALL WORKING PARTS SHALL BE STAINLESS STEEL AND SERVICEABLE FROM ABOVE GROUND WITH NO DIGGING OR REPLACEMENT NEEDED.

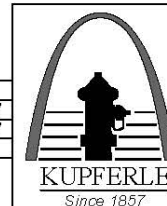
A STAINLESS STEEL PET COCK WILL BE LOCATED BELOW THE SAMPLING BIB TO ALLOW PUMPING OF ANY WATER REMAINING INSIDE THE STATION TO ENSURE NON-FREEZING

THE STATION SHALL BE MODEL #66-BOLLARD AS MANUFACTURED BY THE KUPFERLE FOUNDRY, ST. LOUIS MO. 63102 OR APPROVED EQUAL.

**NOTES:**

- 1.) IN SOME CONDITIONS CORROSION OF STAINLESS STEEL CAN OCCUR (EXPOSURE TO SALT WATER, DIRECT EXPOSURE TO STRONG CHLORIDES, ETC.). PROPER MAINTENANCE OF THE EXPOSED STAINLESS STEEL PARTS USING PROPER STAINLESS STEEL CLEANING AGENTS WILL INCREASE THE LIFESPAN OF THE HYDRANT. IF DESIRED, KUPFERLE CAN ALSO OFFER AN ADDITIONAL PASSIVATION PROCESS FOR ADDITIONAL CORROSION PROTECTION.
- 2.) OTHER BOLLARD ENCLOSURE COLORS AND STYLES AVAILABLE, CONTACT MANUFACTURER FOR DETAILS.

#66 BOLLARD SAMPLING STATION TO BE INSTALLED AT THE FOLLOWING LOCATIONS:



2511 NORTH 9TH STREET  
ST. LOUIS, MO 63102  
1-800-231-3990  
FAX 314-231-2820  
www.hydrants.com

DD/MM/YY	ISSUED FOR REFERENCE	#66 BOLLARD SPEC SHEET	SCALE
DATE	STATUS / REVISION		1'=1'