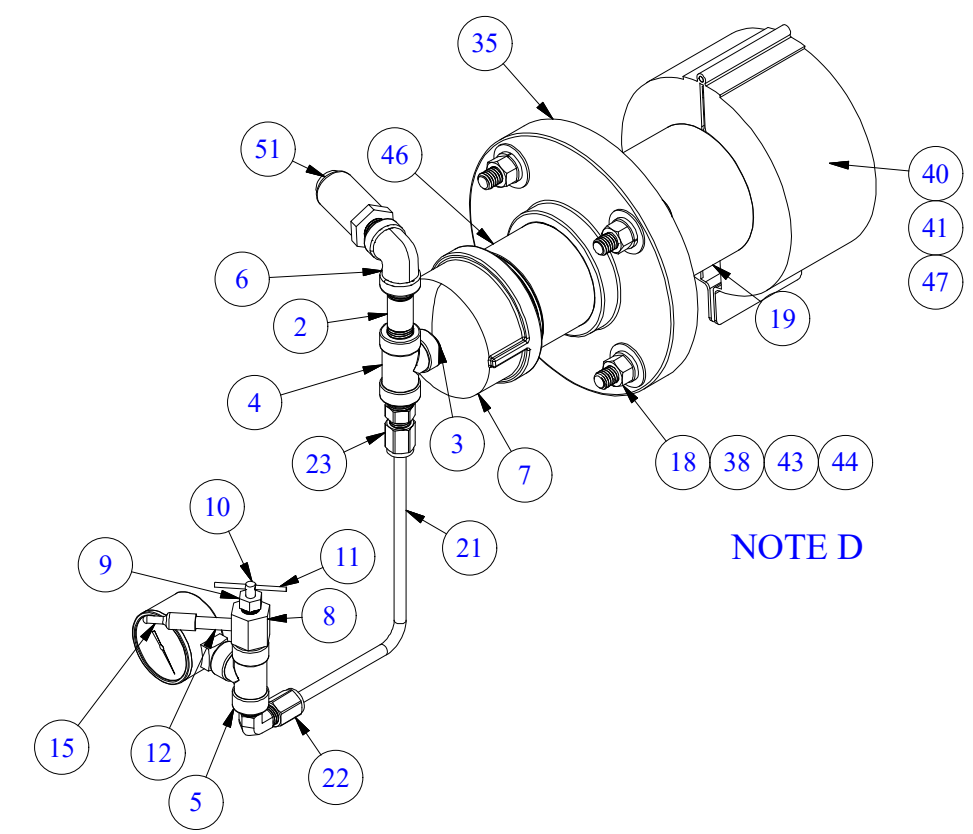


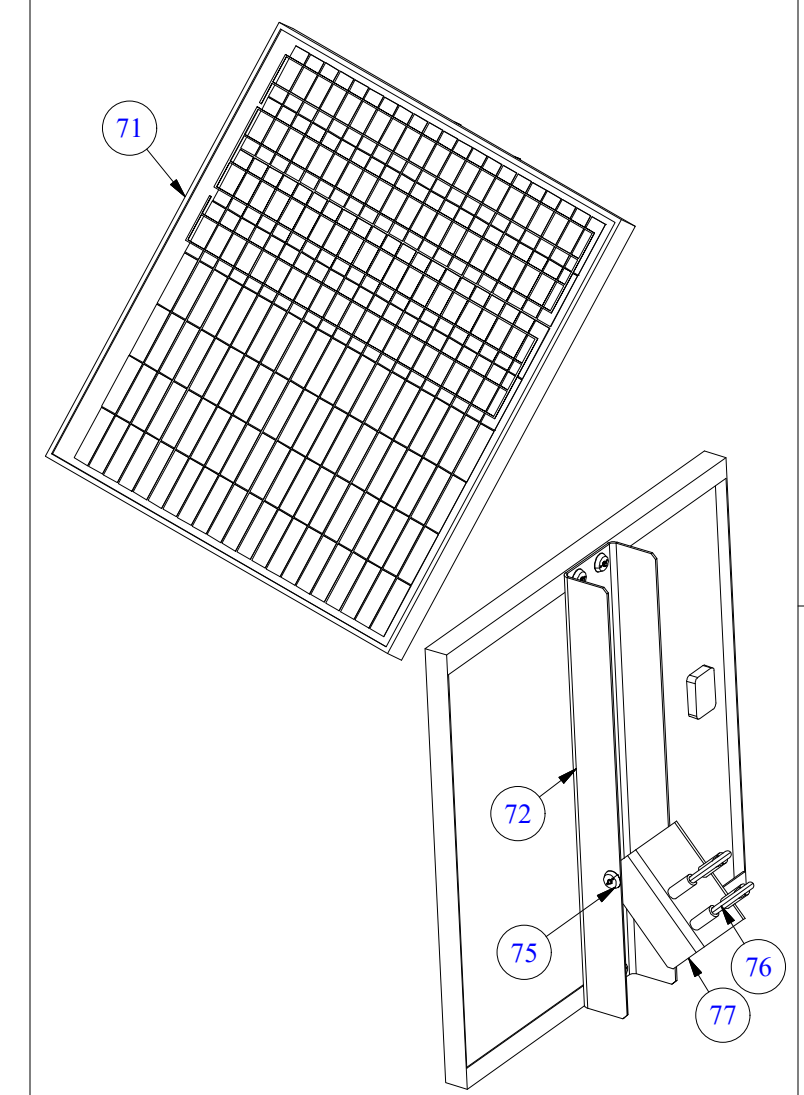
PARTS LIST				
ITEM	QTY	PART NUMBER	DESCRIPTION	NOTES
1	2	1/2WSS	1/2" S.S. FLAT WASHER (SOLAR FLANGE)	
2	1	1/4 X 2SSN	1/4" x 2" LONG S.S. NIPPLE	
3	1	1/4SSCN	1/4" S.S. CLOSE NIPPLE	
4	1	1/4SST	1/4" S.S. TEE	
5	1	1/8SST	1/8" S.S. TEE	
6	1	1/490SEL	1/4" S.S. 90° ELBOW	
7	1	2SSC	2" STAINLESS CAP	
8	1	66S01	PETCOCK BODY	P
9	1	66S02	PETCOCK NUT	P
10	1	66S03	PETCOCK PLUNGER	P
11	1	66S04	HANDLE PIN	P
12	1	66S05	PETCOCK NOZZLE	P
13	1	66S08	O-RING (PETCOCK PACKING NUT)	P,A
14	1	66S10	O-RING (PETCOCK STEM)	P,A
15	1	66S22	PETCOCK CAP	C/P
16	6	66S47	S.S. Hex Head Bolt (LARGE SOLAR BRACKET)	A
17	1	77F	IRON NECK / SOLAR FLANGE	
18	4	77Q-9400	S.S. Hex Nut (MOUNTING FLANGE)	
19	1	79B	2" S.S. COUPLING	
20	1	82-UB	2.5 IN CLAMP	
21	0.833 ft	88-7-SS	1/4" SS TUBING	
22	1	88-8-SS	1/4" COMP. x 1/8" MIP S.S. 90° ELBOW	
23	1	88-9BS	1/4" COMP. x 1/4" MIP ADAPTER	
24	2	88-23	PEDESTAL BOLT	
25	4	344-B	3/8"-16 x 1" S.S. Hex Head Bolt	
26	18	345-N-9400	1/4" S.S. NUT	A
27	2	346-N	S.S. Hex Nut (IoT MOUNTING)	
28	2	7629	1/2" S.S. Lock Washer (SOLAR FLANGE)	
29	4	9400A-38	S.S. Carriage Bolt (BATTERY STRAPS)	
30	7	9411	WIRE PINS MALE	
31	7	9412	WIRE CONNECTORS FEMALE	
32	2	9413	2 POLE WIRE PLUG (MALE)	
33	2	9414	2 POLE WIRE RECEPTACLE (FEMALE)	
34	20	9419	1/4" S.S. Flat Washer	
35	1	9440	2" SCH. 80 PVC THREADED FLANGE	
36	10	9458	1/4" S.S. Lock Washer	
37	6	9460	3/8" S.S. Flat Washer	
38	4	9461	S.S. Lock Washer (MOUNTING FLANGE)	
39	1	9701-R	ENCLOSURE (RED)	
40	1	9703	2-1/2" NST X 2" NPT BRASS SWIVEL	
41	1	9703-G	GASKET FOR SWIVEL COUPLING	A
42	2	9704	DIN RAIL SCREW	A
43	4	9706	S.S. CARRIAGE BOLT (MOUNTING FLANGE)	
44	4	9707	S.S. Flat Washer (MOUNTING FLANGE)	
45	1	9708-R	COLLAR LOCK FOR SWIVEL (RED)	
46	1	9711	2" S.S. PIPE THREADED	
47	1	9715	SWIVEL DEBRIS SCREEN	
48	1	9724	ENCLOSURE GASKET FOR 9700	
49	1	10504	PLASTIC CAP	
50	1	G98234	PRESSURE GAUGE	
51	1	G98246	PRESSURE SENSOR	
52	1	G98255	UNTHREADED SPACER	
53	1	192002	SUBPANEL FOR 9200i-97	
54	2	192003	S.S. CARRIAGE BOLT (IoT MOUNTING)	
55	1	192004-VER	IoT EDGE COMMUNICATION DEVICE - VERIZON	
56	1	192005	SOLAR PANEL PVC MOUNT	
57	1	192006	S.S. SOLAR MOUNT PIPE	
58	1	192007	CELLULAR ANTENNA	
59	1	192008	SUBPANEL MOUNTING BRACKET	
60	3	192009	#10 S.S. LOCK WASHER	
61	3	192010	10-32 S.S. SOCKET BOLT 1 IN	
62	1	192011	BATTERY DISPLAY MOUNT	
63	1	192012	SOLAR PANEL MOUNT LOCK	
64	2	197006	CARRIAGE BOLT FOR SUBPANEL MOUNTING BRACKET	
65	1	197046	SOLAR PANEL	
66	2	197047.01	SOLAR PANEL BRACKET (ANGLE)	
67	1	197047.02	SOLAR PANEL BRACKET MAIN	
68	1	197048	SOLAR CHARGE CONTROLLER	
69	2	197049	2 POLE CIRCUIT BREAKER	
70	1	197063	Lithium Ion Battery	
71	1	197066	SOLAR PANEL (55 Watt)	
72	1	197067	Solar Panel Bracket (LARGE PANEL)	
73	1	197068	DRIVERS FOR SPANNER NUT	
74	10	197069	3/8-16 TAMPER PROOF NUT	A
75	6	197070	1/4-20 TAMPER PROOF NUT	A

PARTS LIST				
ITEM	QTY	PART NUMBER	DESCRIPTION	NOTES
76	4	197071	Solar Panel Pipe Clamp (LARGE PANEL)	
77	1	197072	Solar Panel Pipe Bracket (LARGE PANEL)	
78	1	197507	DC REGULATOR (24VDC TO 5VDC)	
79	2	197508	REGULATOR MOUNTING SCREW	
80	2	197513	BLACK 9IN RUBBER STRAP	
81	2	197515	SOLAR CONTROLLER MOUNTING BOLT (TOP)	
82	1	197526	BATTERY VOLTAGE DISPLAY	
83	1	197527	BATTERY CHARGER	
84	3.500 in	198003	DIN RAIL	
85	2	198005	END STOP	
86	5	198018	MOUNTING BASE	
87	7	198019	4IN CABLE TIE	
88	2	198020	RED STRANDED WIRE - 18 AWG	
89	2	198021	BLACK STRANDED WIRE - 18 AWG	
90	17	198026	WIRE LABELS	
91	2	198027	Waterproof Wire Pins (Male)	
92	1	198028	3 POLE RECEPTACLE (MALE)	
93	1	198035	2 Pole Waterproof Receptacle (Female)	
94	1	198036	3 POLE RECEPTACLE (FEMALE)	
95	2	198059	Waterproof Wire Seal	
96	1	198061	2 Pole Waterproof Receptacle (Male)	
97	2	198062	Waterproof Wire Pins (Female)	
98	2	198063	Waterproof Wire Plug	
99	2	198115	SOLAR CONTROLLER MOUNTING BOLT (BOTTOM)	
100	6	198118	RED WIRE FERRULE	
101	1	198124	1/2" CORD GRIP	

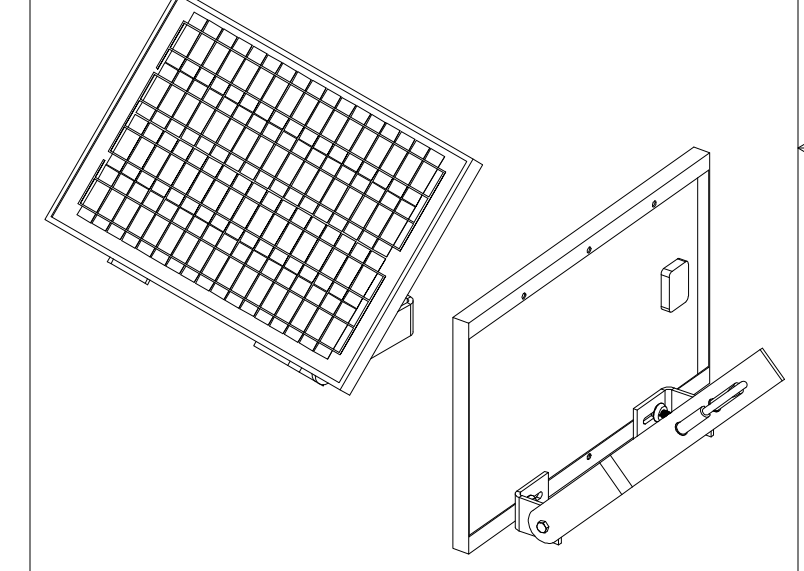
9250i PORTABLE PRESSURE MONITOR



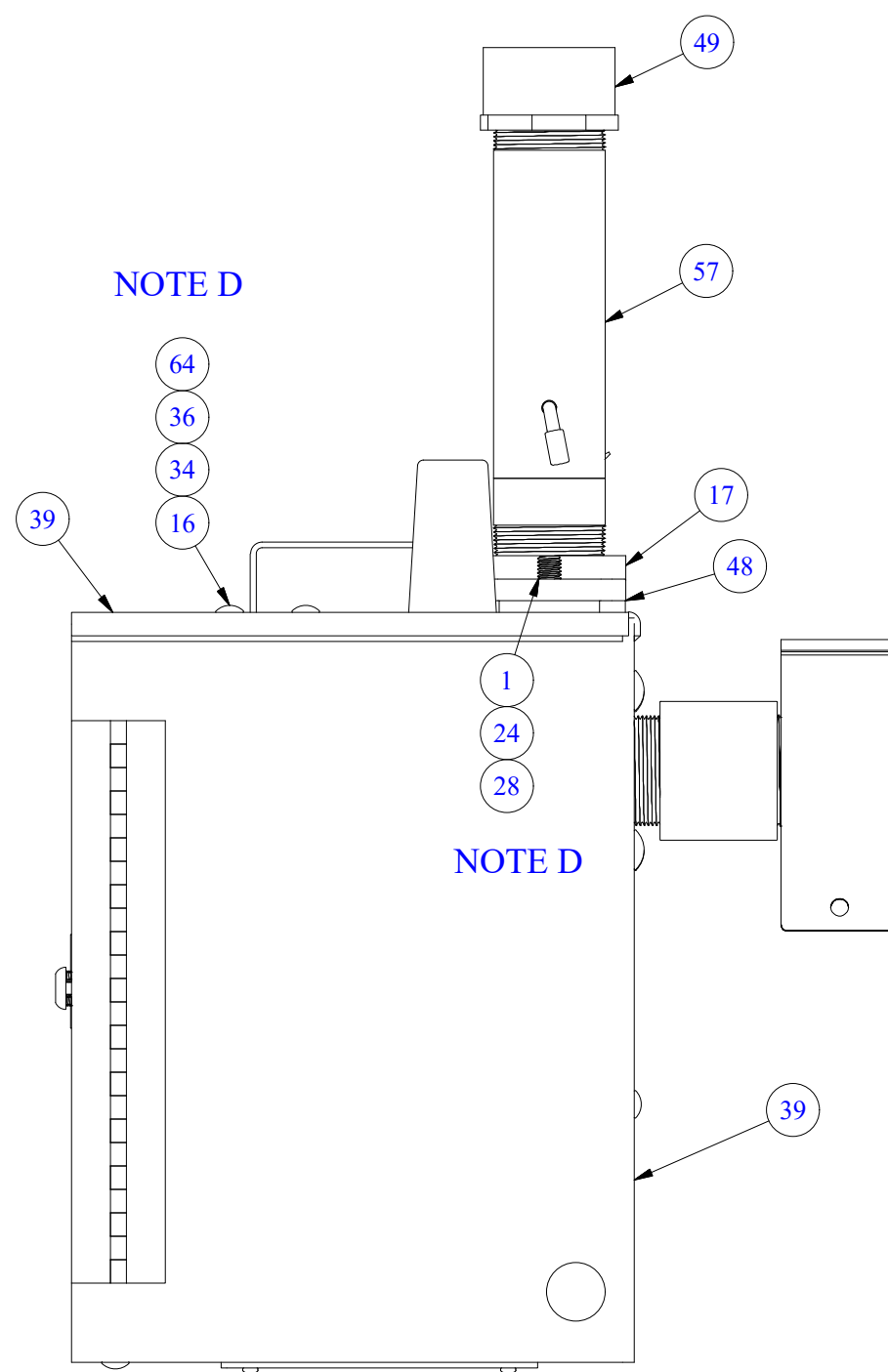
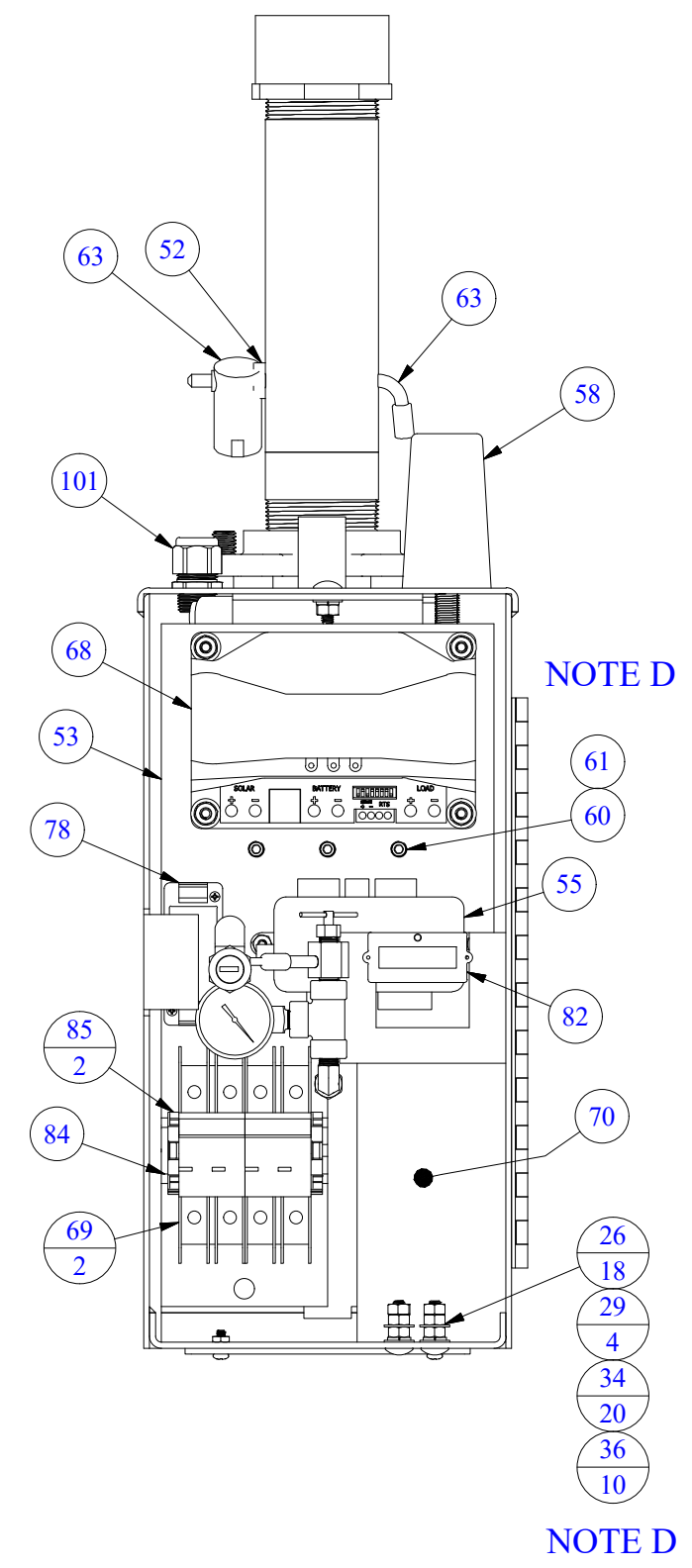
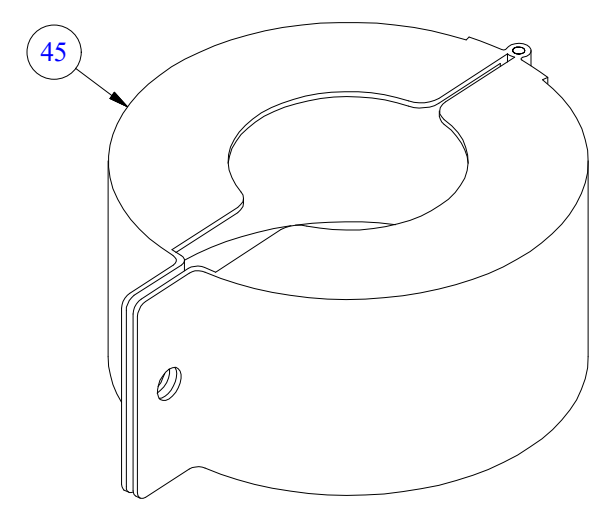
LARGE SOLAR PANEL ASSEMBLY




SMALL SOLAR PANEL ASSEMBLY



COLLAR LOCK



NOTE	DESCRIPTION
A	NOT SHOWN
C	SOLD AS REPLACEMENT PART
D	BOLT ASSEMBLY USED ON ALL SIMILAR HOLES/BRACKETS
E	NOT ALL ELECTRICAL COMPONENTS AND WIRING SHOWN FOR CLARITY PURPOSES
G	OPTIONAL PART
P	SEE PETCOCK ASSEMBLY FOR PARTS INFORMATION
R	POWDER COATING OPTIONS AVAILABLE

DRAWN	DCL	11/3/2021	 Since 1857 2511 NORTH 9TH ST. ST. LOUIS, MO 63102 1-800-231-3990
CHECKED	KJW	1/24/2022	
MODIFIED	KJW	1/24/2022	
SIZE	C	SCALE	
DWG NAME/PART NUMBER			SHEET
#9250i Cut_Rev0			1 OF 1
FILE PATH			REV
G:\ENGINEERING\Electrical\9200i\9250i Cut_Rev0.dwg			0.1