

MAIN GUARD™

#66 WC-BOLLARD SAMPLING STATION

FEATURES:

- Designed for non-freezing/warm climates
- All stainless steel waterway
- UV resistant polyethylene lockable enclosure
- Unthreaded 7/16" blow-off globe valve
- 1/4" globe valve petcock
- Vinyl outlet caps keep waterway clean
- Maintainable from above ground – no digging!

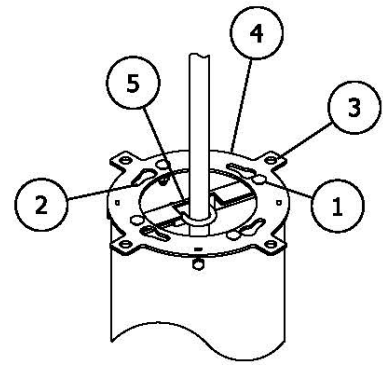
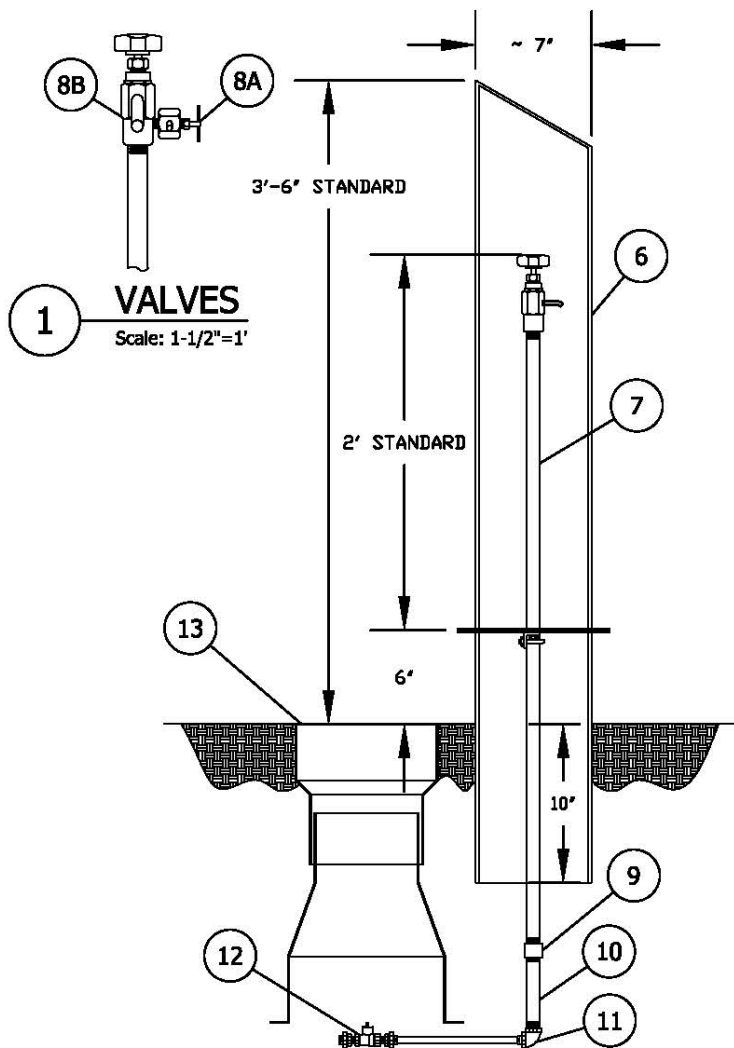
Easily Secured
with Lock



800-231-3990 | www.hydrants.com

2511 North 9th Street | St. Louis, MO 63102

#66WC BOLLARD SAMPLING STATION SPEC SHEET



2 ISO RING VIEW
Scale: 1-1/2"=1'

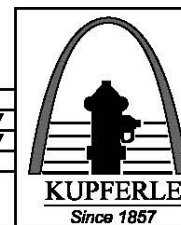
| ITEM | ITEM / DESCRIPTION | NOTES |
|------|------------------------|-----------|
| 1 | LOCKING CARRIAGE BOLTS | |
| 2 | LOCKING RUNNERS | |
| 3 | 1/2" LOCK HOLE | |
| 4 | ADAPTER STAND-OFF RING | 2 PIECES |
| 5 | MOUNTING BRACKET | |
| 6 | 7" BOLLARD ENCLOSURE | |
| 7 | 1/2" S.S. WATERWAY | |
| 8A | SAMPLING VALVE + BIBB | |
| 8B | HEADSTOCK VALVE | |
| 9 | 1/2" S.S. COUPLING | BY OTHERS |
| 10 | 1/2" S.S. NIPPLE | BY OTHERS |
| 11 | 1/2" S.S. ELBOW | BY OTHERS |
| 12 | HYDRANT SHUT-OFF VALVE | BY OTHERS |
| 13 | VALVE BOX | BY OTHERS |

#66WC SAMPLING STATION SHALL BE 1' BURY WITH A 1/2" MIP INLET AND A 7/16" UNTHREADED OUTLET ENCLOSED IN A LOCKABLE UV RESISTANT NON REMOVABLE 7" DIAMETER ROUND LDPE BOLLARD ENCLOSURE. STATION SHALL REQUIRE NO KEY FOR OPERATION. THE MAIN HEADSTOCK VALVE SHALL CONTROL THE FLOW OF WATER THRU THE 7/16" OUTLET, WITH 6 ROTATIONS OF THE HANDLE BEING FULLY OPEN. A SEPARATE PETCOCK VALVE SHALL CONTROL THE DISCHARGE OF WATER VIA AN UNTHREADED 1/4" OUTLET. ALL WATER SHALL PASS THRU AN ALL STAINLESS STEEL WATER WAY. ALL WORKING PARTS SHALL BE STAINLESS STEEL AND SERVICEABLE FROM ABOVE GROUND WITH NO DIGGING OR REPLACEMENT NEEDED. THE STATION SHALL BE MODEL #66WC-BOLLARD AS MANUFACTURED BY THE KUPFERLE FOUNDRY, ST. LOUIS MO. 63102 OR APPROVED EQUAL.

NOTES:

- 1.) IN SOME CONDITIONS CORROSION OF STAINLESS STEEL CAN OCCUR (EXPOSURE TO SALT WATER, DIRECT EXPOSURE TO STRONG CHLORIDES, ETC.). PROPER MAINTENANCE OF THE EXPOSED STAINLESS STEEL PARTS USING PROPER STAINLESS STEEL CLEANING AGENTS WILL INCREASE THE LIFESPAN OF THE HYDRANT. IF DESIRED, KUPFERLE CAN ALSO OFFER AN ADDITIONAL PASSIVATION PROCESS FOR ADDITIONAL CORROSION PROTECTION.
- 2.) OTHER BOLLARD ENCLOSURE COLORS AND STYLES AVAILABLE, CONTACT MANUFACTURER FOR DETAILS.

#66WC-BOLLARD SAMPLING STATION
TO BE INSTALLED AT THE
FOLLOWING LOCATIONS:



2511 NORTH 9TH STREET
ST. LOUIS, MO 63102
1-800-231-3990
FAX 314-231-2820
www.hydrants.com

| DD/MM/YY | ISSUED FOR REFERENCE | #66WC BOLLARD SPEC SHEET | SCALE |
|----------|----------------------|--------------------------|-------|
| DATE | STATUS / REVISION | | 1"=1' |

| INITIALS | DATE |
|--------------|----------|
| DRAWN SMS | 01/12/17 |
| APPROVED DCL | 01/12/17 |
| MODIFIED | |