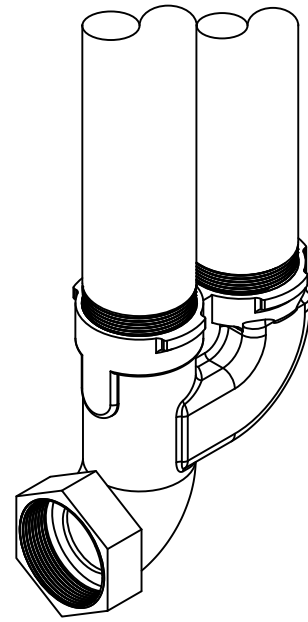


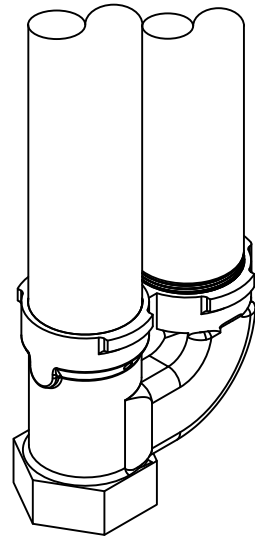
#77-HYB SAMPLING AND FLUSHING HYBRID SPEC SHEET

GENERAL HYDRANT SPECIFICATIONS	
MAXIMUM OPERATING PRESSURE:	220 PSI
INLET MATERIALS:	BUNA-N, C89833 BRASS, PVC
TOP STOCK MATERIAL:	CAST IRON
RISER PIPE MATERIAL:	316 S.S
WETTED MATERIALS:	BUNA-N, PVC, 304 S.S., 316 S.S. & C89833 BRASS
DEPTH OF BURY:	3' STANDARD
WEIGHT:	TBD LBS



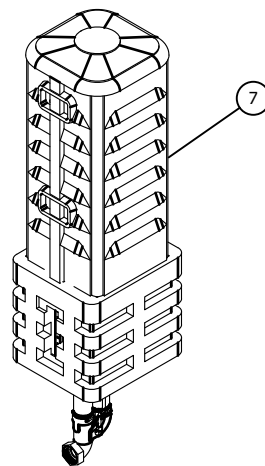
A 2" FIP HORIZONTAL INLET

Scale: 3"=1'



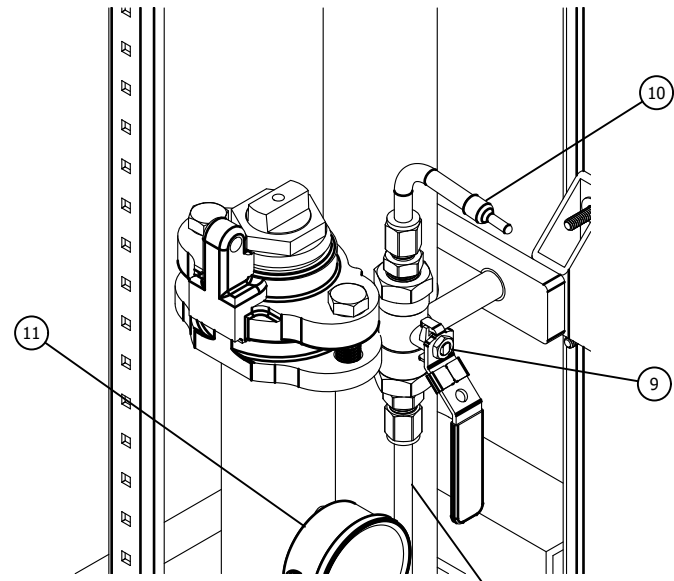
B 2" FIP VERTICAL INLET

Scale: 3"=1'



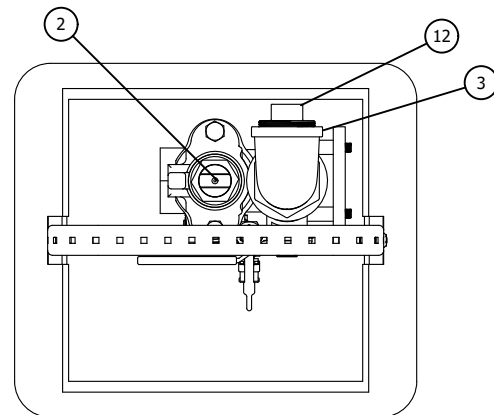
4 INSTALL ISO VIEW

Scale: 1/2"=1'



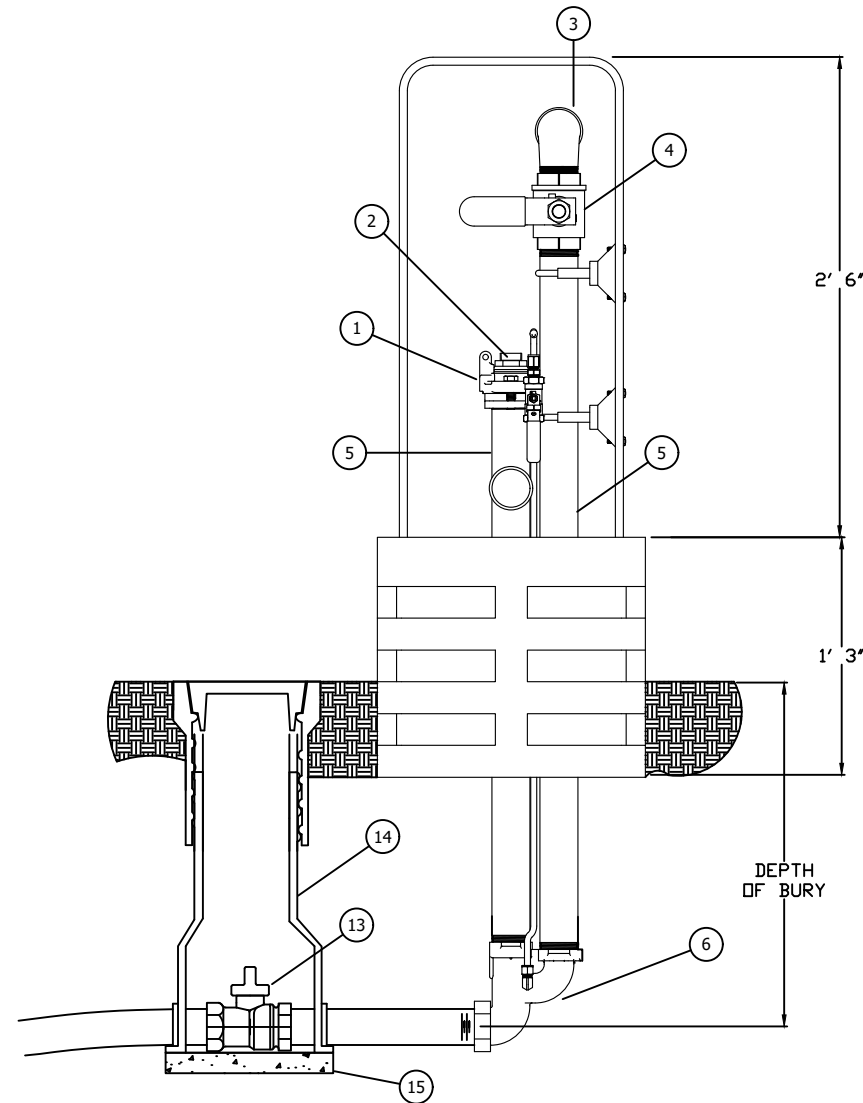
2 DETAIL VIEW

Scale: 3"=1'



3 TOP VIEW

Scale: 1 1/2"=1'



1 INSTALL VIEW

Scale: 1"=1'

MAINGUARD Product Ordering Guide					
MODEL#	77-HYB	X	X	X	X
SUBSECTION	1	2	3	4	5
SUBSECTION DESCRIPTION	MODEL # SUBSECTION	OPTIONS	DESCRIPTIONS		
MODEL	1	77-HYB	SAMPLING AND FLUSHING HYBRID HYDRANT		
DEPTH OF BURY	2	0.0	X.X = FEET DEPTH OF BURY. ENTER # IN FEET AND INCLUDE INCHES. ROUND TO NEAREST 0.5 FEET		
INLET OPTIONS	3	A	2" FIP HORIZONTAL		
		B	2" FIP VERTICAL		
		C	2" MJ INLET		
OPERATING WRENCH	4	X	NONE		
		A	OPERATING WRENCH STANDARD - WATER BLUE		
MULTIPLE ACCESS HOUSING OPTIONS	5	A	BEIGE		
		B	TELECOM GREEN		
		G	SPECIAL - CALL FOR CUSTOM COLOR(S)		
		S			

ITEM	DESCRIPTION	NOTES
1	TOP CAP	
2	SLOTTED OPERATING NUT	
3	2" FIP OUTLET	
4	2" BLOW OFF BALL VALVE	
5	2" STAINLESS STEEL PIPE	
6	INLET VALVE BODY	
7	LOCKING COVER	
8	SAMPLING LINE	
9	SAMPLING BALL VALVE	
10	SAMPLING PORT	
11	PRESSURE GAUGE	
12	2" MIP DISCHARGE PLUG	
13	HYDRANT SHUT-OFF VALVE	BY OTHERS
14	VALVE BOX	BY OTHERS
15	SOLID CONCRETE BLOCK	BY OTHERS

#77-HYB Sampling and Flushing Hybrid Hydrant (SFHS) shall be installed in the following location(s): _____

#77-HYB SFHS shall be a sampling station and 2" manual flushing hybrid hydrant, utilizing a brass inlet valve and stainless steel discharge and a 3' standard depth of bury. Station shall come with a 3/8" stainless steel sampling bibb. Hydrant shall be furnished with a (2" FIP horizontal or 2" FIP vertical) inlet connection. A non-turning operating rod shall open to the left with 4 to 6 rotations being fully open. A 2" stainless steel ball valve on the discharge pipe, may be closed to facilitate sampling without water being flushed. Outlet shall be 2" FIP standard with plug and extend a minimum of 12" above the ground. The station shall be pumped dry after use, to insure the station is non-freezing. A pressure gauge is included on the operating pipe, for detection of water in this pipe in the event of an o-ring failure.

All water flow shall pass through a 2" stainless steel pipe and waterway. The operating drive mechanism shall raise and lower a plunger to control the flow of water. Drive mechanism shall be serviceable from above ground with no digging and shall operate with a standard universal slotted valve wrench. All working parts shall be brass, stainless steel or PVC.

Recommendation of the AWWA should be followed when installing the hydrant

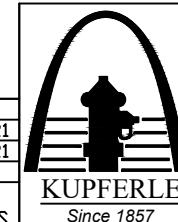
Unit model # shall be #77-HYB as specified in the product ordering guide as manufactured by Kupferle Foundry Company, St. Louis MO, or approved equal.

NOTES	
A	PIPING BY OTHERS.
B	FLUSH LINE BEFORE INSTALLATION.
C	GROUND LINE MAY VARY.
D	IN CORROSIVE SOLIDS THE BURIED PIPE SHOULD BE PREPPED FOR ADDITIONAL RESISTANCE TO CORROSION. KUPFERLE RECOMMENDS SPRAYING ALL UNDERGROUND PIPING AND FITTINGS WITH BITUMINOUS SPRAY TAR, ALLOWING PROPER TIME TO DRY AND WRAPPING THE PARTS.

DATE	STATUS / REVISION
05/14/21	NEW RELEASE

#77-HYB SFHS SPEC SHEET

	INITIALS	DATE
DRAWN	KJW	05/14/21
APPROVED	DCL	05/18/21
MODIFIED		



2511 NORTH 9TH STREET
ST. LOUIS, MO 63102
1-800-231-3990
FAX 314-231-2820
www.hydrants.com