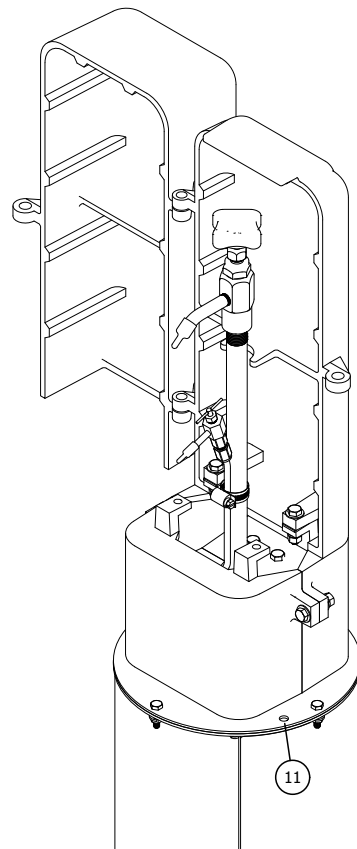
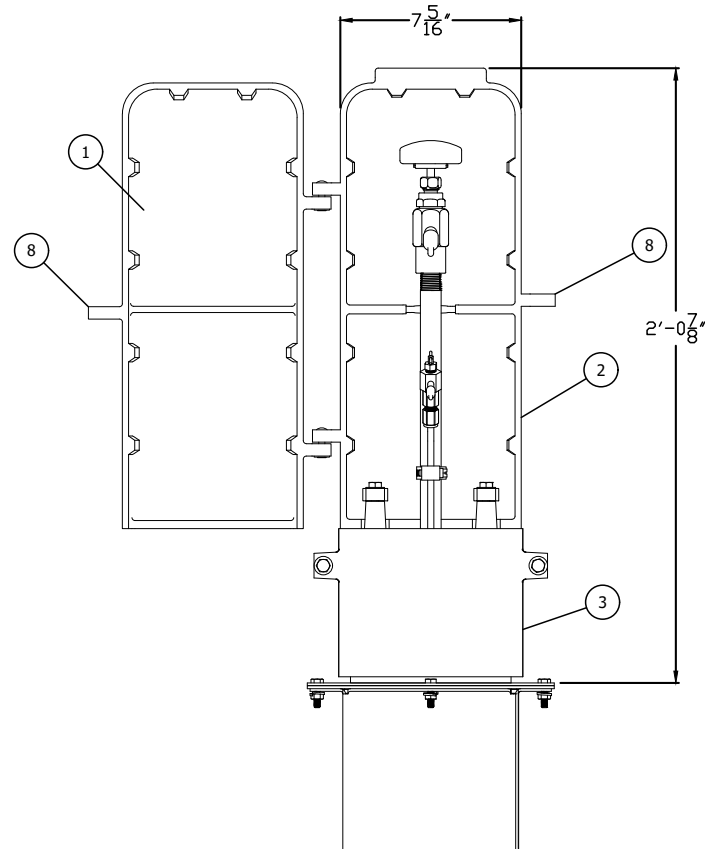


88-SS-R-PED REPAIRABLE SAMPLING STATION SPEC SHEET

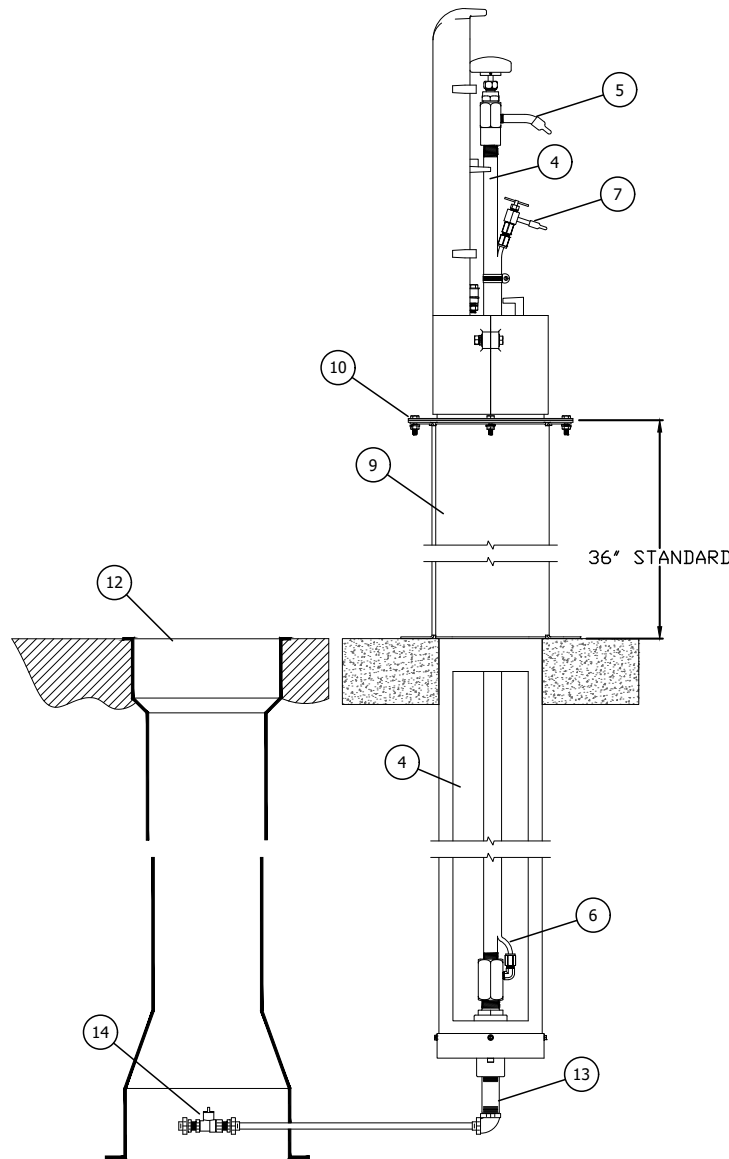
GENERAL HYDRANT SPECIFICATIONS	
MAXIMUM OPERATING PRESSURE:	85 PSI
STATION MATERIALS:	303, 316, & 18-8 STAINLESS STEEL
ENCLOSURE MATERIAL:	CAST AL 319 ALUMINUM
ENCLOSURE COLOR:	GREEN (STANDARD)
SEAT/O-RING MATERIALS:	BUNA-N & SBR RUBBER
DEPTH OF BURY:	1' STANDARD, +6" INCREMENTS
WEIGHT:	TBD LBS



1 ISO VIEW
Scale: 1 1/2"=1'

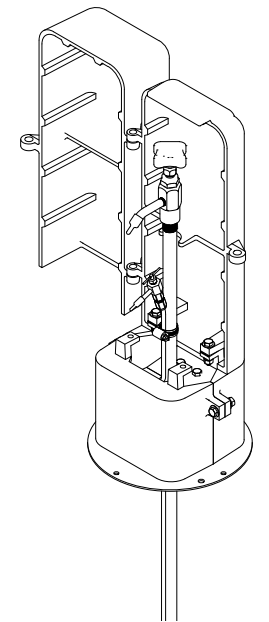


2 FRONT VIEW
Scale: 1 1/2"=1'

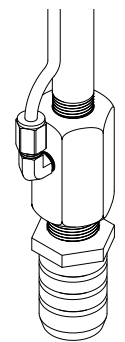


3 INSTALLATION CUT VIEW
Scale: 1"=1'

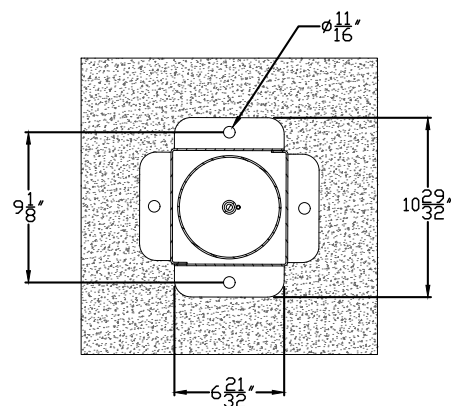
ITEM	DESCRIPTION	NOTES
1	88 FRONT DOOR (COVER A)	
2	88 REAR DOOR (COVER B)	
3	88 BASE (COVER C)	2 PIECES
4	1/2" S.S. WATERWAY	
5	BLOW OFF NOZZLE	
6	1/4" S.S. TUBING (EVACUATION LINE)	
7	SAMPLING BIBB	
8	LOCKING HOLE	
9	PEDESTAL	
10	BOLTS FOR STATION REMOVAL	4 BOLTS
11	SECURITY HOLE	
12	VALVE BOX	BY OTHERS
13	3/4" S.S. NIPPLE	BY OTHERS
14	CURB STOP BALL VALVE	BY OTHERS



4.1 REMOVAL (TOP SECTION) ISO
Scale: 1"=1'



4.2 REMOVAL (BOT. SECTION) ISO
Scale: 3"=1'



5 PEDESTAL FLANGE TOP VIEW
Scale: 1"=1'

SAMPLING STATION shall be installed in the following location(s): _____

SAMPLING STATION SHALL BE _____' BURY, WITH A 3/4" FIP INLET AND 1/2" UNTHREADED BLOW OFF AND SAMPLING BIBB. STATION SHALL BE ENCLOSED IN A LOCKABLE ALUMINUM BOX WITH HINGED OPENING.

WHEN OPEN, THE STATION SHALL REQUIRE NO KEY FOR OPERATION, AND ALL WATER FLOW SHALL PASS THOUGH AN ALL STAINLESS STEEL WATERWAY.

ALL WORKING PARTS SHALL BE STAINLESS STEEL AND SERVICEABLE FROM ABOUT GROUND WITH NO DIGGING OR REPLACEMENT NEEDED. A STAINLESS STEEL PETCOCK VALVE WILL BE LOCATED BELOW THE SAMPLING BIBB USING A 1/4" STAINLESS STEEL UNTHREADED TUBE SHALL BE USED TO ALLOW A PUMP, KUPFERLE RECOMMENDS THE USE OF ITS ELECTRIC EVACUATION PUMP, TO REMOVE ANY WATER REMAINING INSIDE THE STATION TO INSURE NON-FREEZING.

THE STATION UTILIZES A PISTON DESIGN TO ALLOW FOR THE ENTIRE STATION TO BE REMOVED IN CASE OF FREEZING IN EXTREME COLD CONDITIONS.

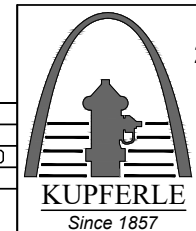
THE STATION SHALL BE MODEL #88-SS-R-PED AS MANUFACTURED BY KUPFERLE FOUNDRY, ST. LOUIS MO, 63102 OR APPROVED EQUAL.

NOTES	
A	IF THE COLOR SHALL BE ANY COLOR OTHER THAN GREEN, CHECK WITH THE MANUFACTURER FOR COLOR OPTIONS.
B	WHEN INSTALLED ON OR WITH CONCRETE, KUPFERLE RECOMMENDS THE USE OF A GASKET OR BARRIER BETWEEN THE ENCLOSURE AND THE CONCRETE SURFACE.
C	PROLONGED EXPOSURE TO STRONG CHLORIDES WHICH CAN BE PRESENT IN CONCRETE, CLEANING AGENTS, AND SOMETIMES EVEN POTABLE WATER CAN LEAD TO POSSIBLE ENCLOSURE CORROSION. REGULAR MAINTENANCE AND DRYING THE STATION AFTER USE ARE THE BEST METHODS FOR OPTIMAL STATION LONGEVITY.
D	IN CORROSIVE SOLIDS THE BURIED PIPE SHOULD BE PREPPED FOR ADDITIONAL RESISTANCE TO CORROSION. KUPFERLE RECOMMENDS SPRAYING ALL UNDERGROUND PIPING AND FITTINGS WITH BITUMINOUS SPRAY TAR, ALLOWING PROPER TIME TO DRY AND WRAPPING THE PARTS.

07/08/20	NEW SPEC SHEET
DATE	STATUS / REVISION

88-SS-R-PED SPEC SHEET

	INITIALS	DATE
DRAWN	KJW	7/6/20
APPROVED	DCL	7/23/20
MODIFIED		
SHEET SIZE		SCALE
B (11x17)		VARIABLES



2511 NORTH 9TH STREET
ST. LOUIS, MO 63102
1-800-231-3990
FAX 314-231-2820
www.hydrants.com