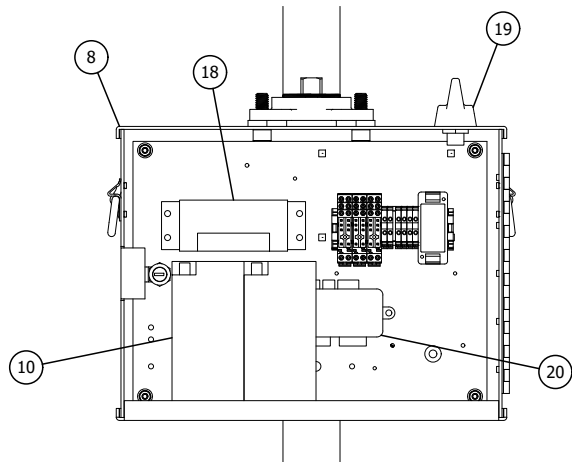
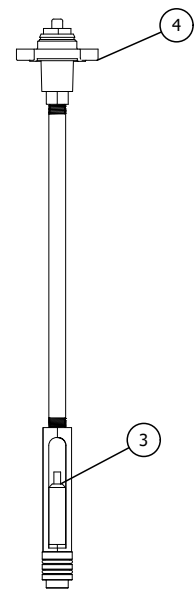


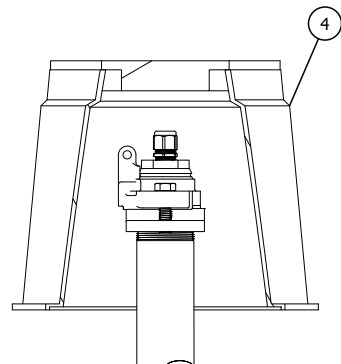
# #9200i-2 PRESSURE MONITORING: PERMANENT PRESSURE MONITORING STATION - INSTALLATION NOTES



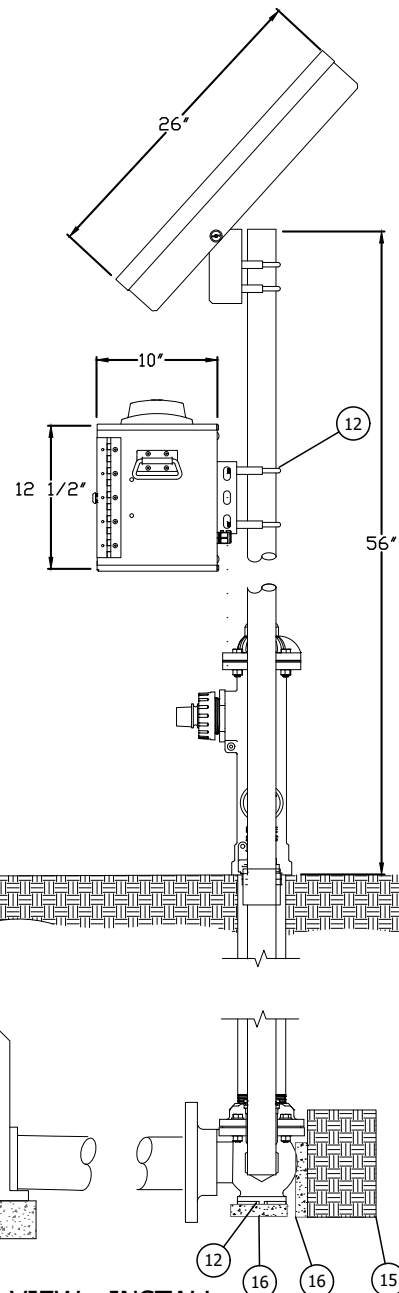
**A** DETAIL VIEW - CONTROL ENCLOSURE  
Scale: 1 1/2"=1'-0"



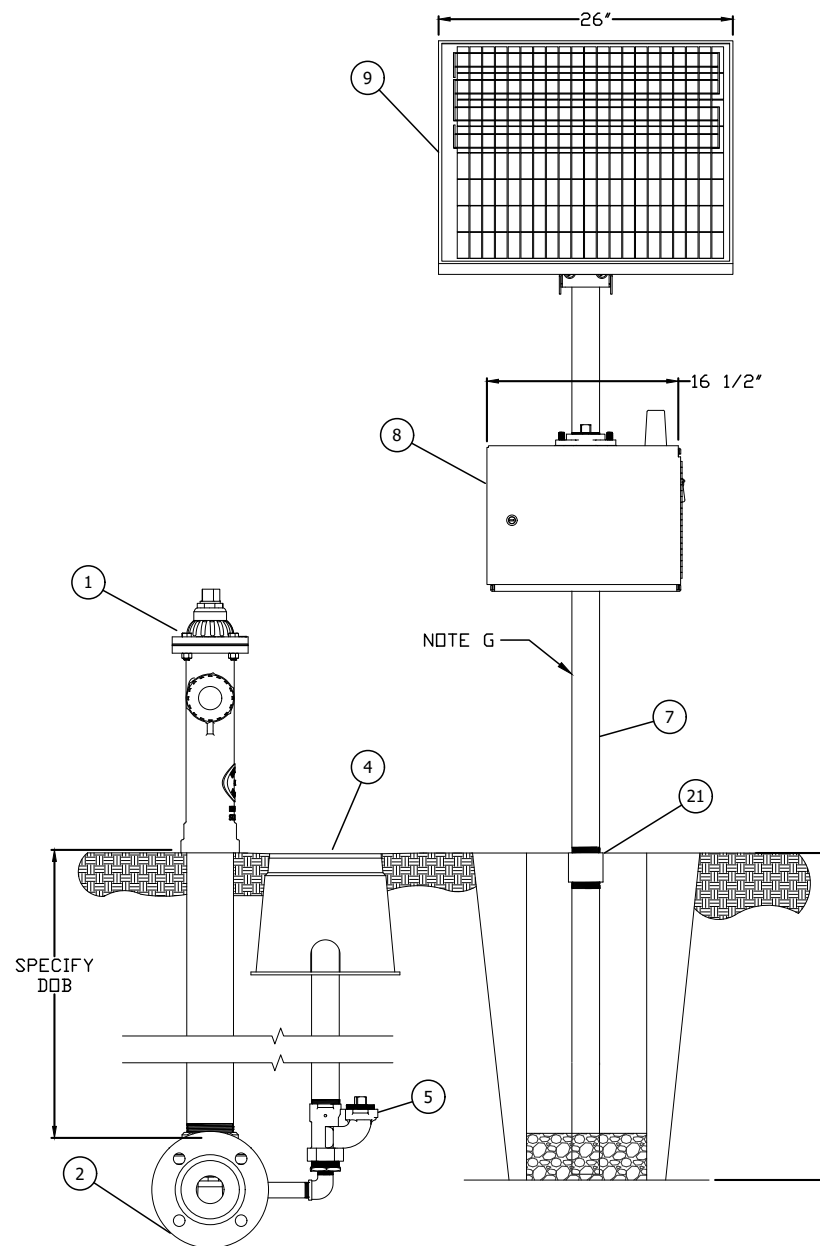
**B** DETAIL VIEW - REMOVEABLE SENSOR  
Scale: 1"=1'-0"



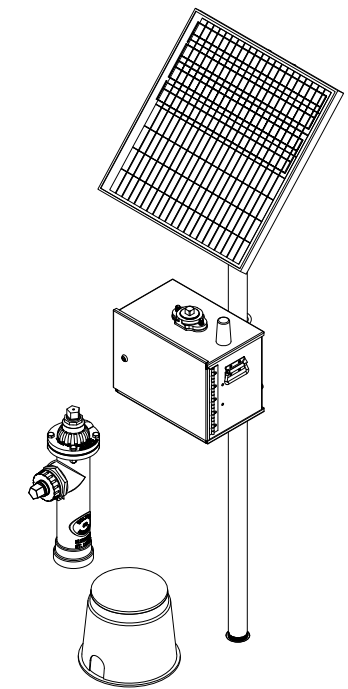
**C** DETAIL VIEW - REMOVEABLE TOP CAP  
Scale: 1 1/2"=1'-0"



**1** SIDE VIEW - INSTALL  
Scale: 3/4"=1'-0"



**2** FRONT VIEW - INSTALL  
Scale: 3/4"=1'-0"



**3** ISO VIEW - ABOVE GRADE  
Scale: 1/2"=1'-0"

DIRECTIONS	
STEP 1:	INSTALL #2 WITH PRESSURE MONITORING ATTACHMENT INTO GROUND AND ATTACH WATER LINE.
STEP 2:	INSTALL 2" PIPE FOR MOUNTING OF ENCLOSURE. USE A COUPLING AT GRADE TO ALLOW FOR REMOVAL OF PIPE (IF DESIRED)
STEP 3:	USE U-BOLTS TO ATTACH CONTROL ENCLOSURE TO PIPE.
STEP 4:	USE U-BOLTS TO ATTACH SOLAR PANEL TO PIPE.
STEP 5:	ENSURE CIRCUIT BREAKERS ARE TURNED OFF.
STEP 6:	CONNECT PRESSURE SENSOR TO THE SEALEVEL DEVICE.
STEP 7:	CONNECT THE SOLAR PANEL TO THE CONTROL PANEL.
STEP 8:	CONNECT THE BATTERIES IN SERIES.
STEP 9:	VERIFY ALL ELECTRICAL CONNECTIONS
STEP 10:	DOWNLOAD AND INSTALL SEALEVEL APP

OTHER SPECIFICATIONS AVAILABLE UPON REQUEST

ITEM	DESCRIPTION
1	#2 BLOW OFF HYDRANT
2	INLET VALVE BODY
3	PRESSURE SENSOR
4	REMOVEABLE TOP CAP
5	VALVE BODY FOR REMOVEABLE SENSOR
6	CONCRETE PAD
7	2" PIPE FOR ELECTRICAL MOUNT
8	ELECTRICAL ENCLOSURE
9	SOLAR PANEL
10	BATTERIES (2)
11	ELECTRICAL CONDUIT
12	U-BOLTS
13	HYDRANT SHUT-OFF VALVE
14	VALVE BOX
15	UNDISTURBED EARTH
16	THRUST BLOCKS
17	CRUSHED ROCK
18	SOLAR CONTROLLER
19	ANTENNA
20	SEALEVEL TRANSMITTER
21	COUPLING

Pressure Monitoring Station shall be installed in the following location(s): \_\_\_\_\_

Pressure Monitoring Station shall be installed onto the water main, where water pressure shall be monitored. A submersible pressure sensor shall be installed into the monitoring station which shall be servicable from above ground. The #2 Blow Off Hydrant shall have a 4" MJ inlet. The Control enclosure shall be mounted on a customer supplied 2" pipe, on a concrete pad within 5' feet of the Pressure Sensor. A coupling shall be installed at grade to allow the 2" pipe to be removed if the pressure monitoring station is to be moved to a different location. The solar panel shall be mounted on the 2" pipe, above the electrical enclosure, at the direction and angle from the solar panel manual.

Concrete pad shall bear the weight of the the control enclosure and solar panel. Concrete pad shall also bear the force of any reasonable force applied to the highest point of the unit. A flexible conduit shall encase the pressure sensor wire, to protect the wire from damage.

Unit model # shall be 9200i-2-\* with \*'s specified in accordance with the product ordering guide on the specification sheet as manufactured by Kupferle Foundry Company, St. Louis MO, or approved equal.

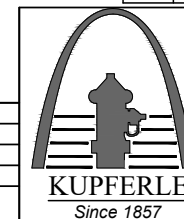
NOTES	
A	NOT ALL WIRES AND PIPING SHOWN FOR CLARITY PURPOSES.
C	SOLAR PANEL SHALL BE PROPERLY MAINTAINED TO ALLOW FOR MAXIMUM SOLAR CHARGING HOURS.
F	CUSTOMER SHALL GROUND THE SOLAR PANEL TO PROTECT THE USER AND THE UNIT FROM POTENTIAL ELECTRICAL SHOCK AND/OR LIGHTNING DAMAGE.
G	ITEM TO BE PROVIDED BY OTHERS.

DATE	STATUS / REVISION
10/22/21	CHANGE TO USE A VALVE BOX
05/27/21	NEW RELEASE

#9200i-2-\* INSTALLATION NOTES

	INITIALS	DATE
DRAWN	KJW	05/27/21
APPROVED	XXX	XXX
MODIFIED		

SHEET SIZE	SCALE
B (11x17)	VARIES



2511 NORTH 9TH STREET  
ST. LOUIS, MO 63102  
1-800-231-3990  
FAX 314-231-2820  
www.hydrants.com