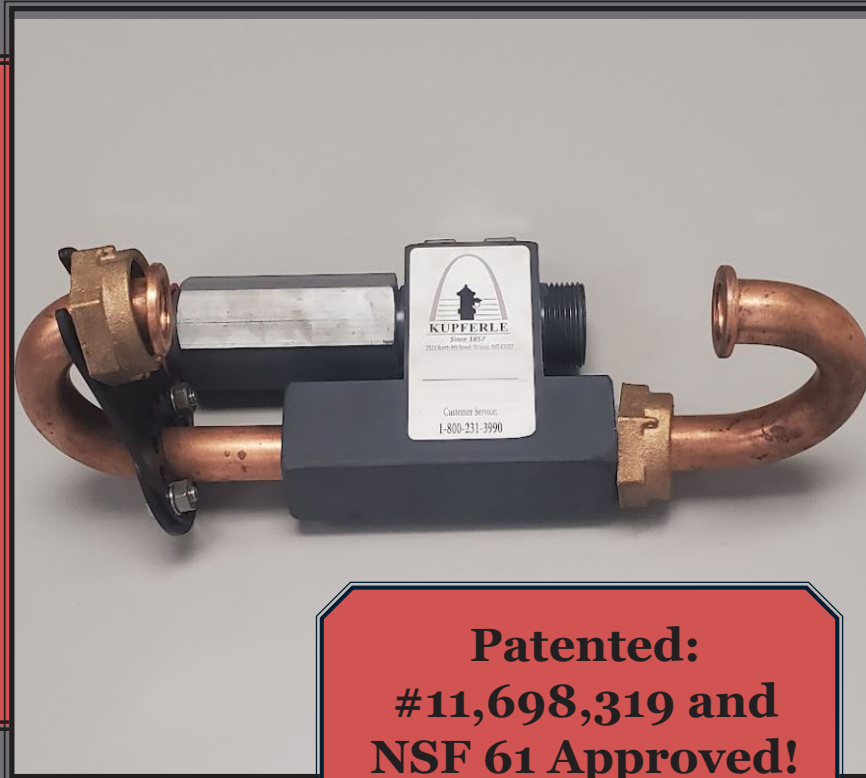


# MAIN GUARD

## 95WM-R Meter Resetter

*Removeable and adjustable meter resetter allows for flexibility and easy repairs!*

- Available in both 5/8" x 3/4" and 1" sizes
- Adjustable horns provide more flexibility when placing meter
- Removeable horns allow for easy replacement
- Optional dual check valve



**Patented:  
#11,698,319 and  
NSF 61 Approved!**

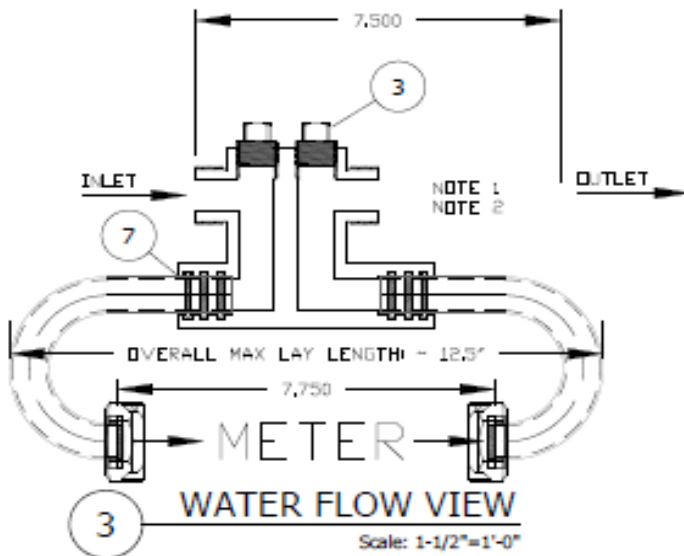
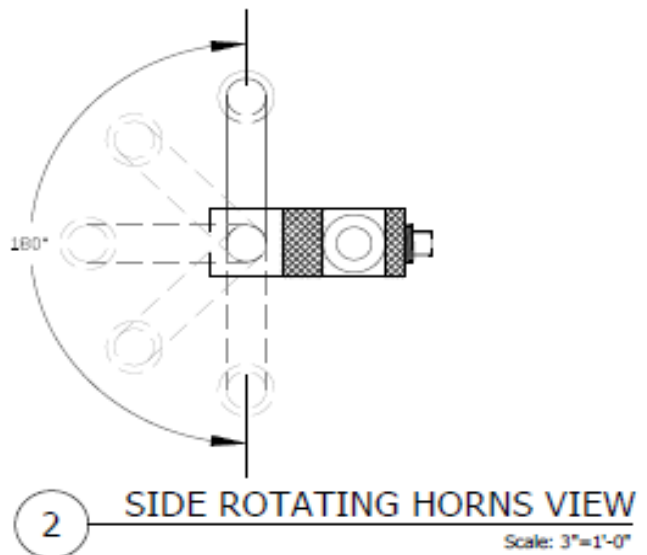
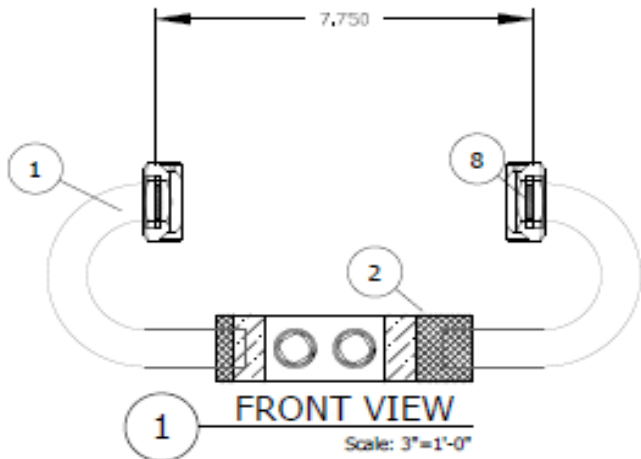
**Kupferle | St Louis, MO  
hydrants.com  
800.231.3990**



# MAIN GUARD

## 95R Meter Resetter

### #95WM 5/8"x3/4" METER SETTER SPEC SHEET



ITEM	ITEM / DESCRIPTION	NOTES
1	5/8"x3/4" COPPER HORN (FLANGE x SLIP)	
2	95WM BODY (5/8"x3/4" METER x SLIP)	
3	S.S. PLUG	
4	NOT USED	
5	NOT USED	
6	NOT USED	
7	O-RING SLIP JOINT	
8	3/4" EPDM RUBBER METER GASKET	

Kupferle | St Louis, MO  
hydrants.com  
800.231.3990

