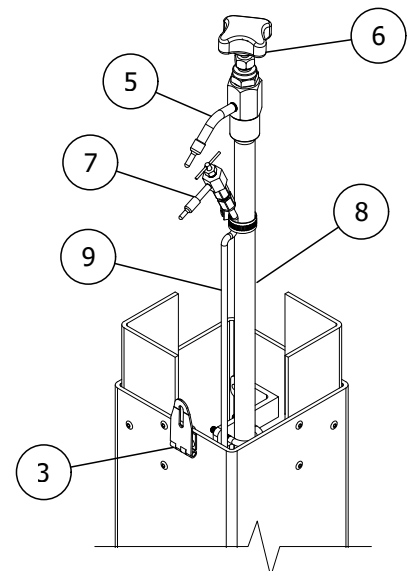
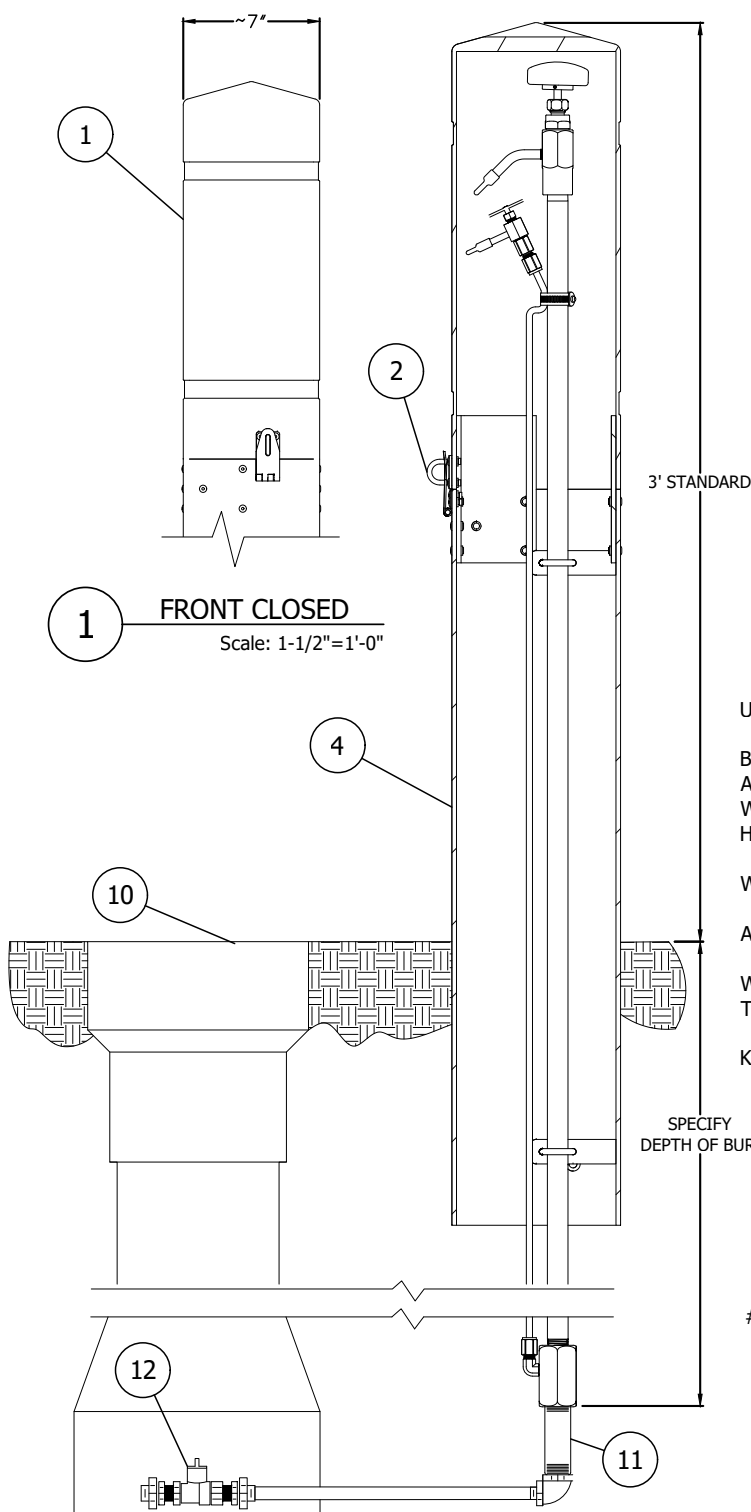


# #66-BOLLARD SAMPLING STATION SPEC SHEET



**1 FRONT CLOSED**  
Scale: 1-1/2"=1'-0"

**2 ISO OPEN**  
Scale: 1-1/2"=1'-0"

SAMPLING STATION SHALL BE \_\_\_\_\_' BURY, WITH A 3/4" FIP INLET, AND 3/8" UNTHREADED BLOW OFF AND SAMPLING BIBB.

STATION SHALL BE ENCLOSED IN A LOCKABLE, NON-REMOVABLE 7" SQUARE HDPE BOLLARD WITH REMOVEABLE QUICK OPENING LID, ALLOWING FOR 360 DEGREE ACCESS TO THE STATION. THE STANDARD COLOR OF THE ENCLOSURE SHALL BE BLUE WITH AN OPTION OF: TAN, RED, YELLOW AND WHITE. UPON REQUEST, THE LID MAY HAVE TWO REFLECTIVE TAPE STRIPES.

WHEN OPEN, THE STATION SHALL REQUIRE NO KEY FOR OPERATION, AND ALL WATER FLOW SHALL PASS THRU AN ALL STAINLESS STEEL WATERWAY.

ALL WORKING PARTS SHALL BE OF STAINLESS STEEL AND SERVICABLE FROM ABOVE GROUND WITH NO DIGGING OR REPLACEMENT NEEDED.

A STAINLESS STEEL PET COCK WILL BE LOCATED BELOW THE SAMPLING BIBB, AND WHEN OPEN SHALL ALLOW EVACUATION, VIA PUMP OR COMPRESSED AIR BLOW OFF, TO REMOVE ANY WATER REMAINING INSIDE THE STATION TO PREVENT FREEZING.

THE STATION SHALL BE MODEL #66-BOLLARD AS MANUFACTURED BY THE KUPFERLE FOUNDRY, ST. LOUIS MO. 63102 OR APPROVED EQUAL.

**NOTES:**  
IN SOME CONDITIONS CORROSION OF STAINLESS STEEL CAN OCCUR (EXPOSURE TO SALT WATER, DIRECT EXPOSURE TO STRONG CHLORIDES, ETC.). PROPER MAINTENANCE OF THE EXPOSED STAINLESS STEEL PARTS USING PROPER STAINLESS STEEL CLEANING AGENTS WILL INCREASE THE LIFESPAN OF THE HYDRANT. IF DESIRED, KUPFERLE CAN ALSO OFFER AN ADDITIONAL PASSIVATION PROCESS FOR ADDITIONAL CORROSION PROTECTION.

#66-BOLLARD SAMPLING STATION TO BE INSTALLED AT THE FOLLOWING LOCATIONS:

ITEM	ITEM / DESCRIPTION	NOTES
1	REMOVEABLE LID	
2	PADLOCK EYE	
3	PADLOCK HASP	
4	7" SQUARE BOLLARD	
5	BLOW OFF & SAMPLING BIBB	
6	OPERATING HANDLE	
7	PETCOCK	
8	1/2" S.S. WATERWAY	
9	1/4" S.S. TUBING	
10	VALVE BOX	BY OTHERS
11	3/4" S.S. NIPPLE	BY OTHERS
12	HYDRANT SHUT-OFF VALVE	BY OTHERS

PRODUCT ORDERING GUIDE			
MODEL#	66-BOLLARD	-	CC - * - *
SUBSECTION	1	2	3 4
MODEL SHOWN IN VIEW 1: 66-BOLLARD-CC-3.0-B			
SUBSECTION DESCRIPTION	MODEL # SUBSECTION	OPTIONS	DESCRIPTIONS
MODEL	1	66-BOLLARD	S.S. SAMPLING STATION IN BOLLARD ENCLOSURE
CLIMATE	2	CC	COLD CLIMATES
		XC	EXTREME COLD CLIMATES
DEPTH OF BURY	3	0.0	X.X = FEET OF DEPTH OF BURY. ENTER # IN FEET ROUNDED TO NEAREST 0.5 FOOT.
COLOR	4	B	BLUE (STANDARD)
		R	RED
		T	TAN
		W	WHITE
		Y	YELLOW
PLEASE SEE CUT SHEET FOR UPGRADES AND AVAILABLE OPTIONS			

	INITIALS	DATE
DRAWN	KJW	8/25/22
APPROVED	DCL	8/25/22
MODIFIED		



2511 NORTH 9TH STREET  
ST. LOUIS, MO 63102  
1-800-231-3990  
FAX 314-231-2820  
www.hydrants.com

DD/MM/YY	ISSUED FOR REFERENCE
DATE	STATUS / REVISION

#66-BOLLARD SAMPLING STATION

SCALE  
1"=1'